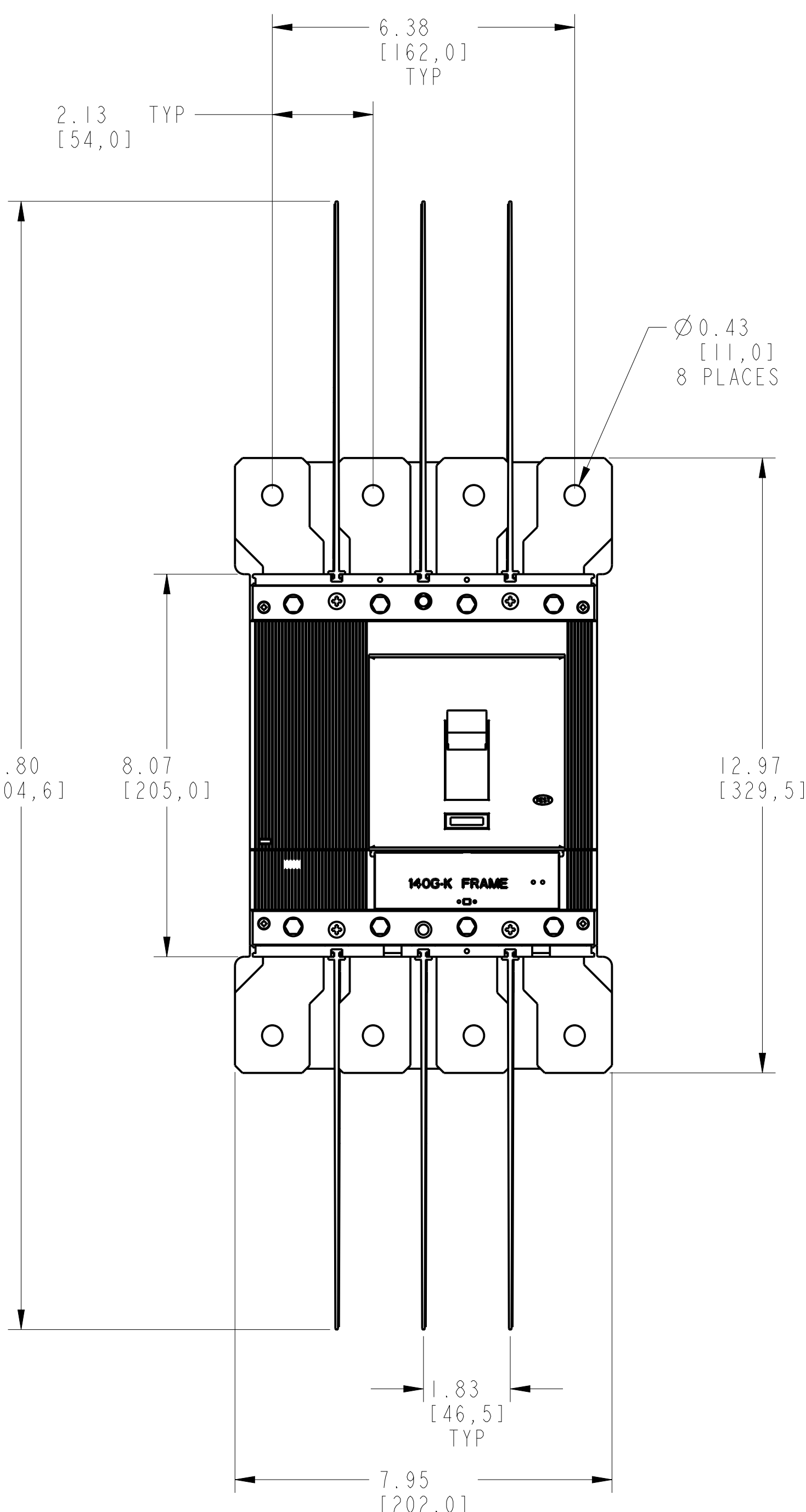
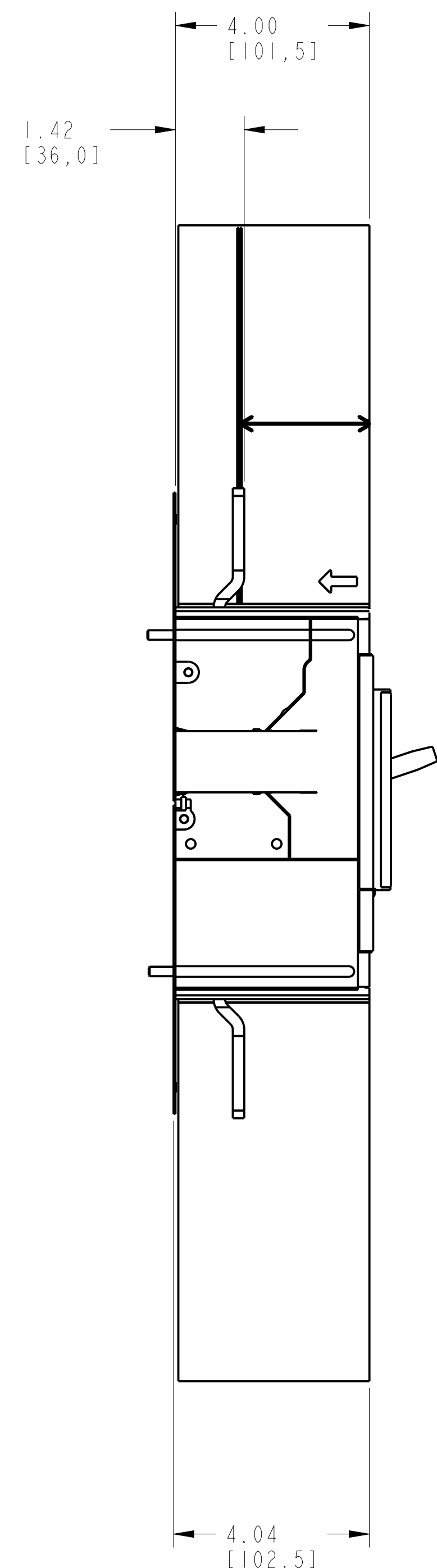
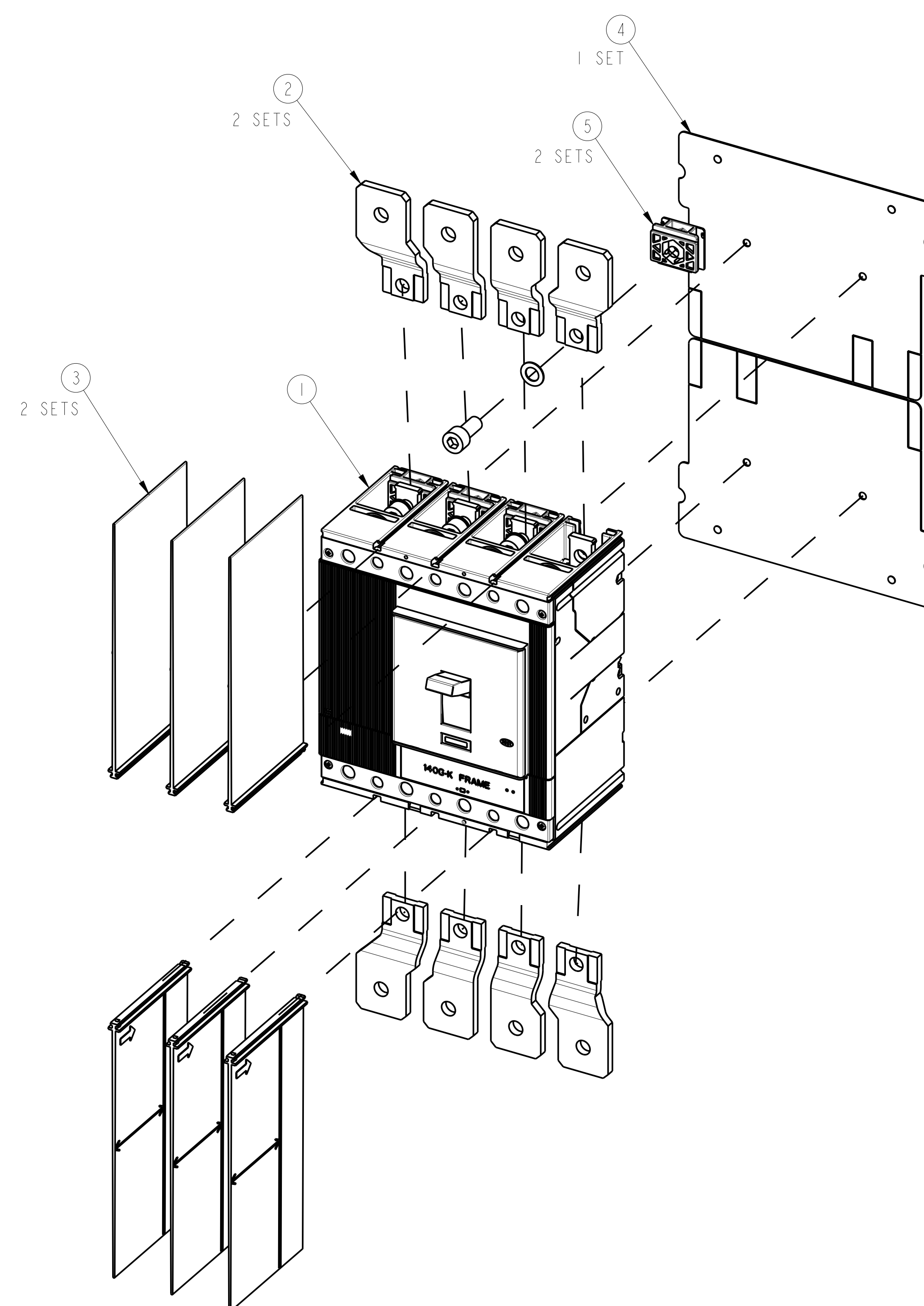
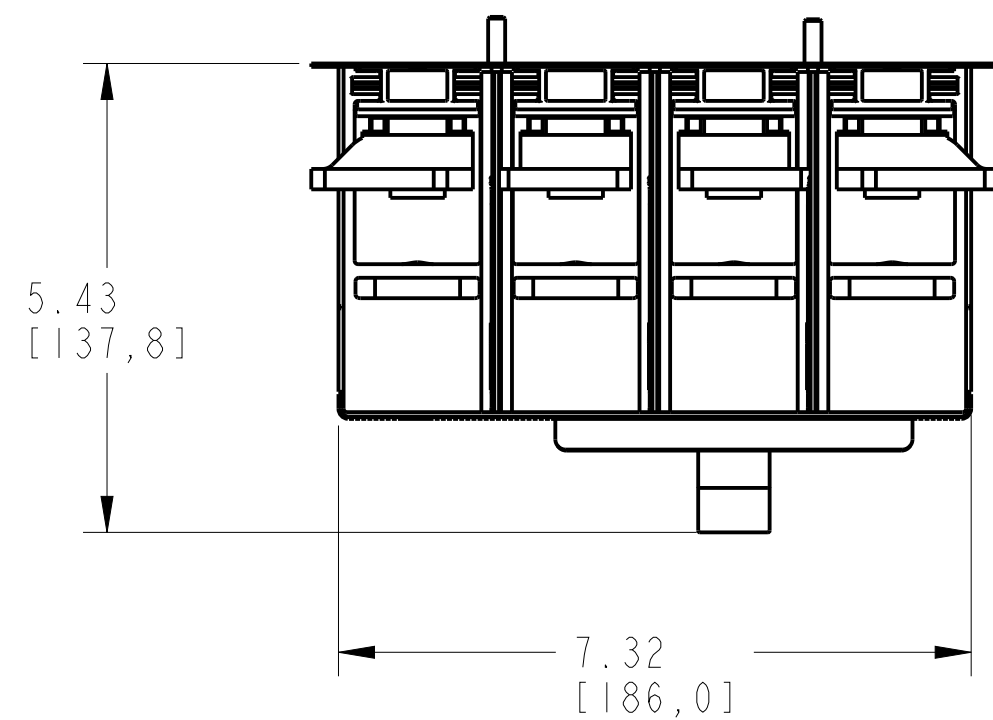
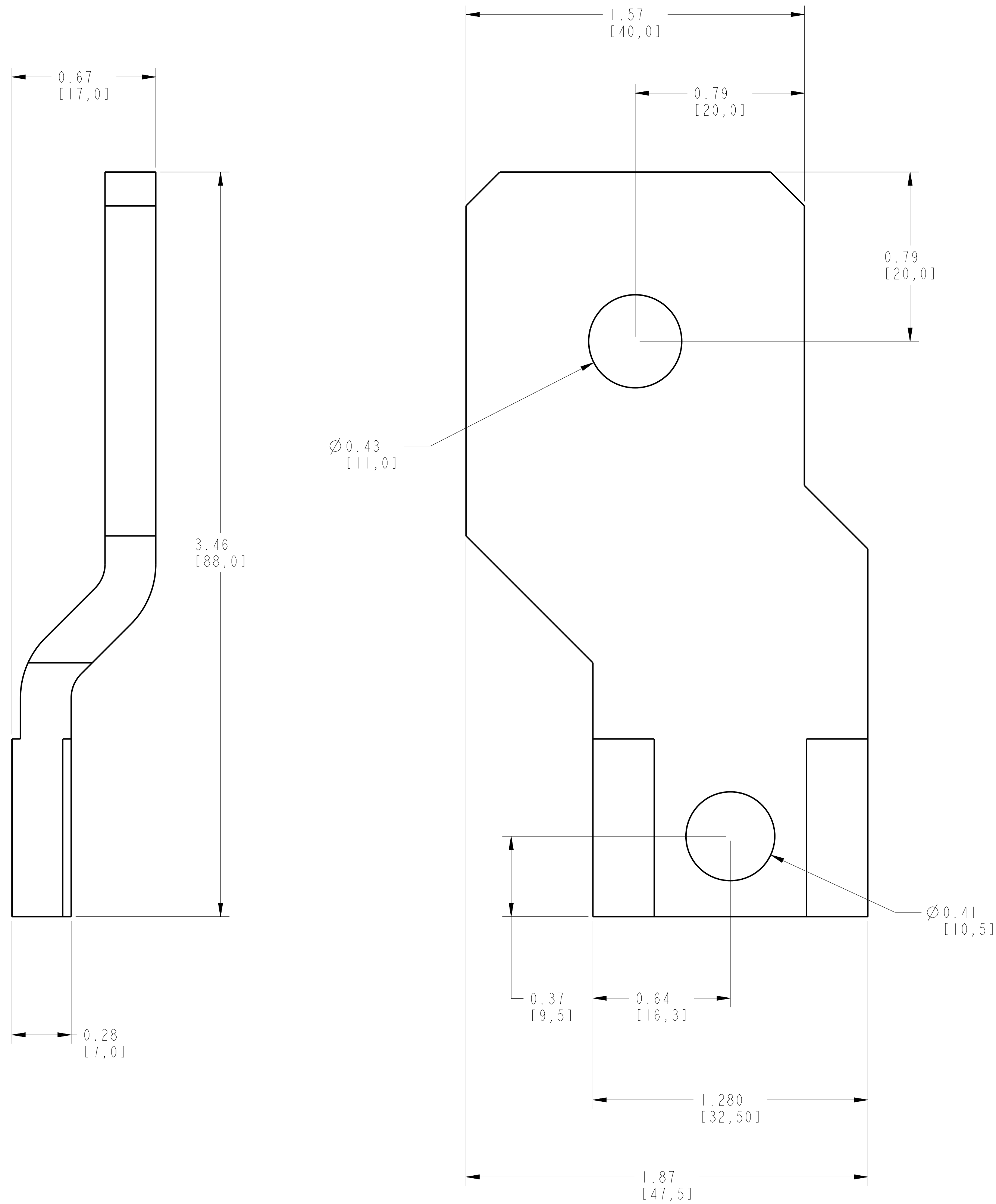


FRONT SPREADER TERMINAL 4P ASSEMBLY

ITEM	DESCRIPTION	QTY	AB CAT NUMBER
1	MOLDED CASE CIRCUIT BREAKER	1	140G-K-4P CB
2	FRONT SPREADER TERMINAL 4P (4 PCS)	2 SETS	140G-K-EXS4
3	PHASE BARRIERS LOW 4 POLE (3 PCS)	2 SETS	140G-K-PB4L
4	INSULATION BACK PLATE 4P (2 PCS)	1 SET	-
5	ENDCAP ASSEMBLY (4 PCS)	2 SETS	-

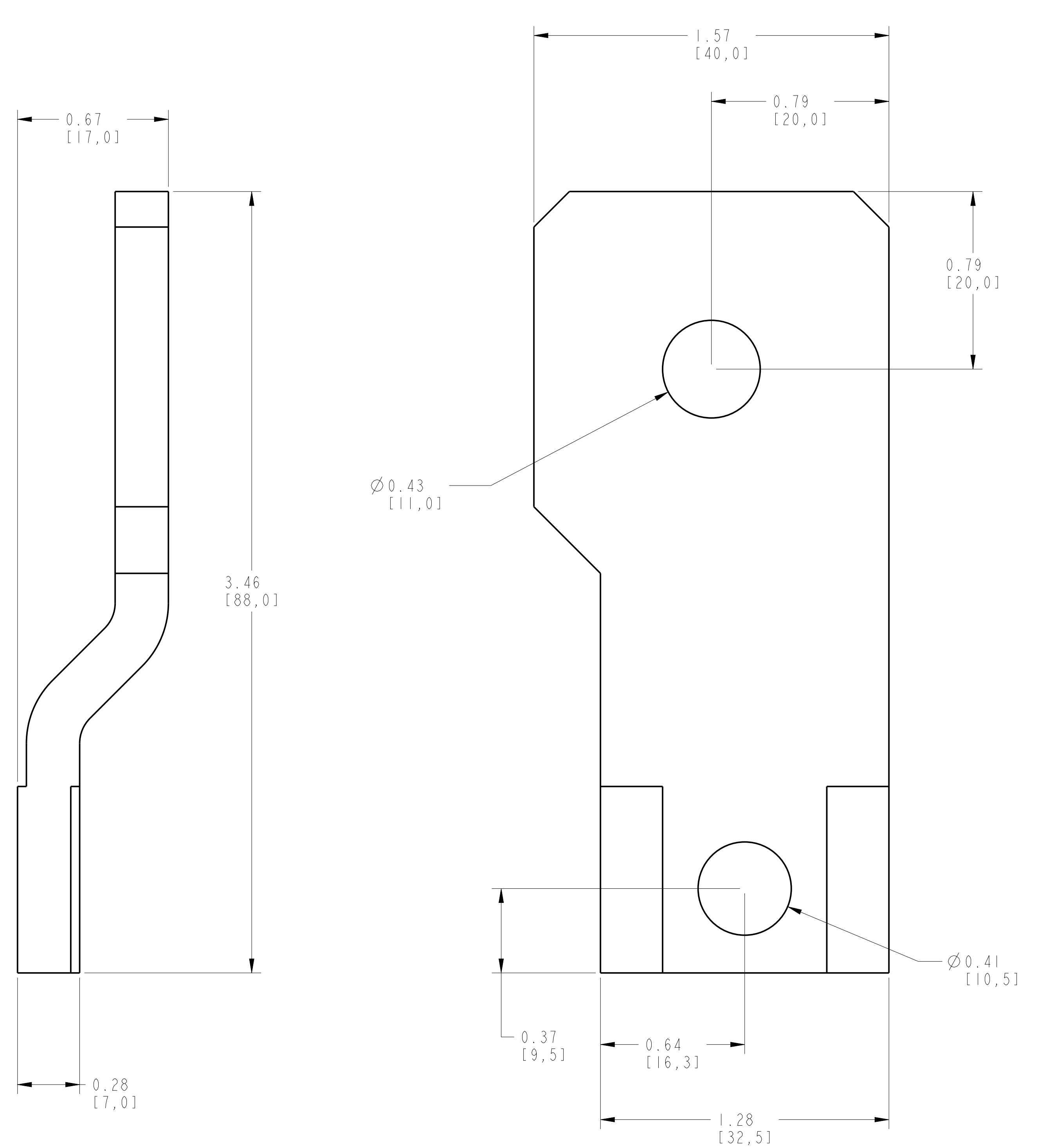


FRONT SPREADER TERMINAL ASSEMBLED TO 140G-K-4-POLE
SCALE 4.5:1



ITEM 2 : FRONT SPREADER TERMINAL LH/RH END

SCALE 3 : 1



ITEM 2 : FRONT SPREADER TERMINAL MIDDLE

SCALE 3 : 1

		<small>CONFIDENTIAL AND PROPRIETARY INFORMATION THIS DOCUMENT CONTAINS CONFIDENTIAL AND PROPRIETARY INFORMATION OF ROCKWELL AUTOMATION, INC. AND MAY NOT BE USED, COPIED OR DISCLOSED TO OTHERS, EXCEPT WITH THE AUTHORIZED WRITTEN PERMISSION OF ROCKWELL AUTOMATION, INC.</small>	
		Sheet 2 Of 2	
SPRDR TRMNL ASSEMBLED TO I40G-K-4P CB		Size D	Ver 00
Drawn by: UMUNUSW	Date: 10-24-13	10000911440	