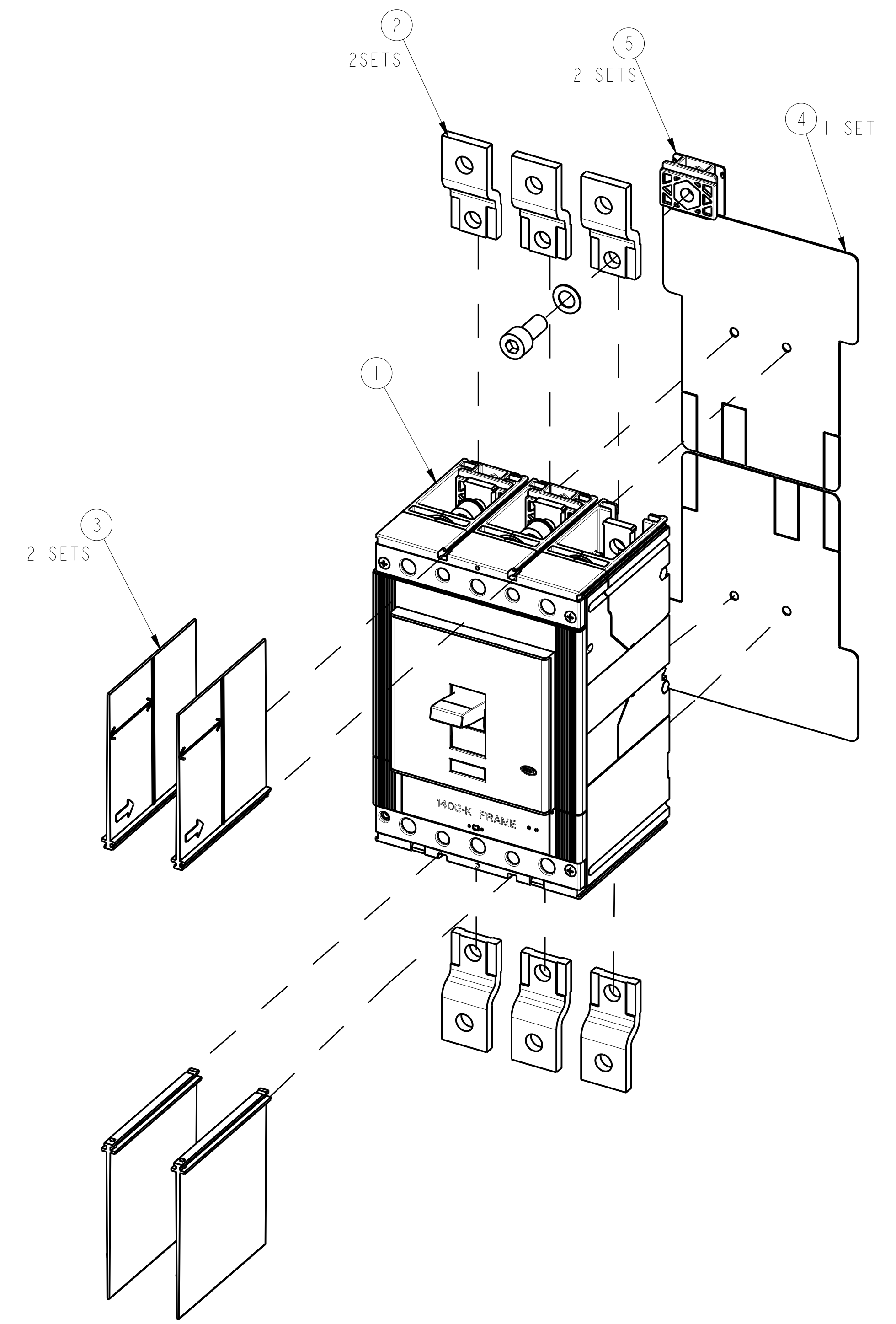
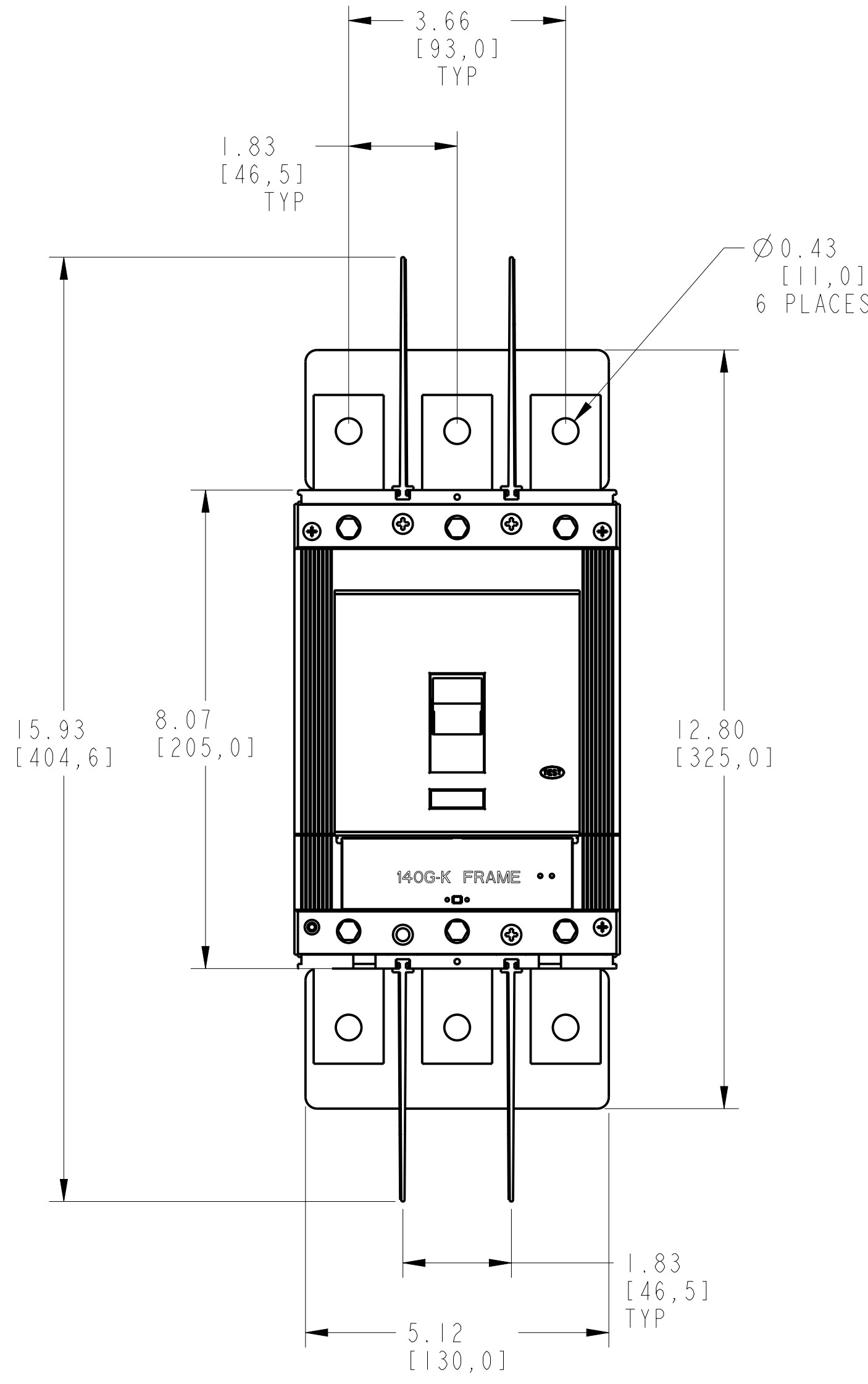
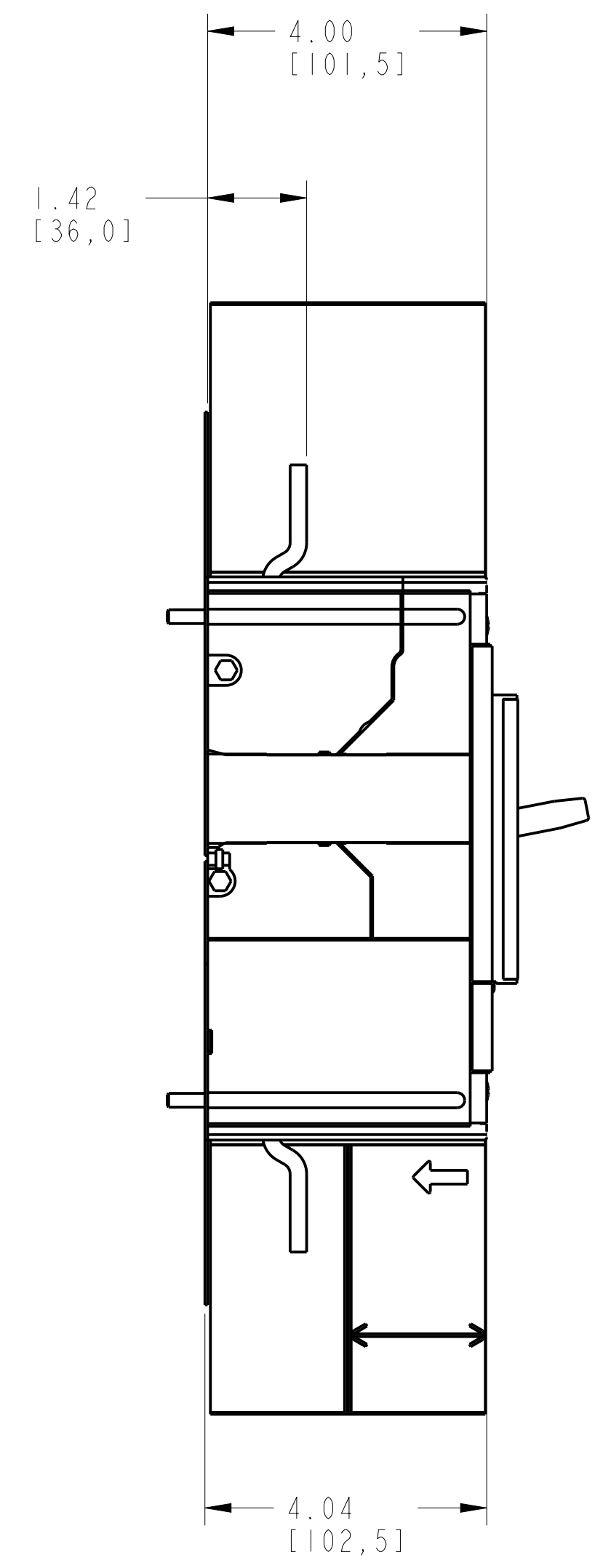
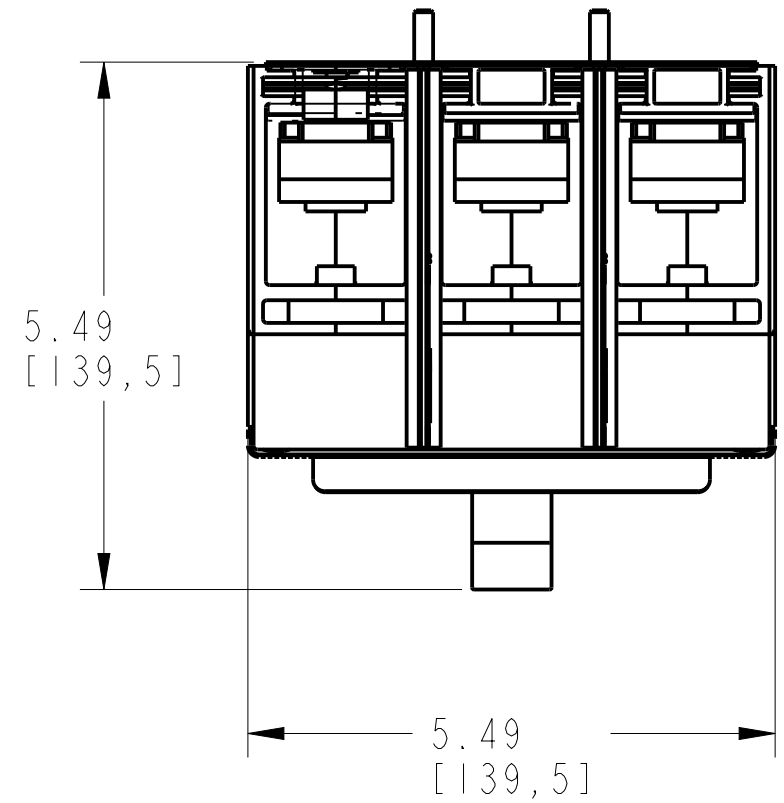


1 2 3 4 5 6 7 8

FRONT EXTENDED TERMINAL 3P ASSEMBLY

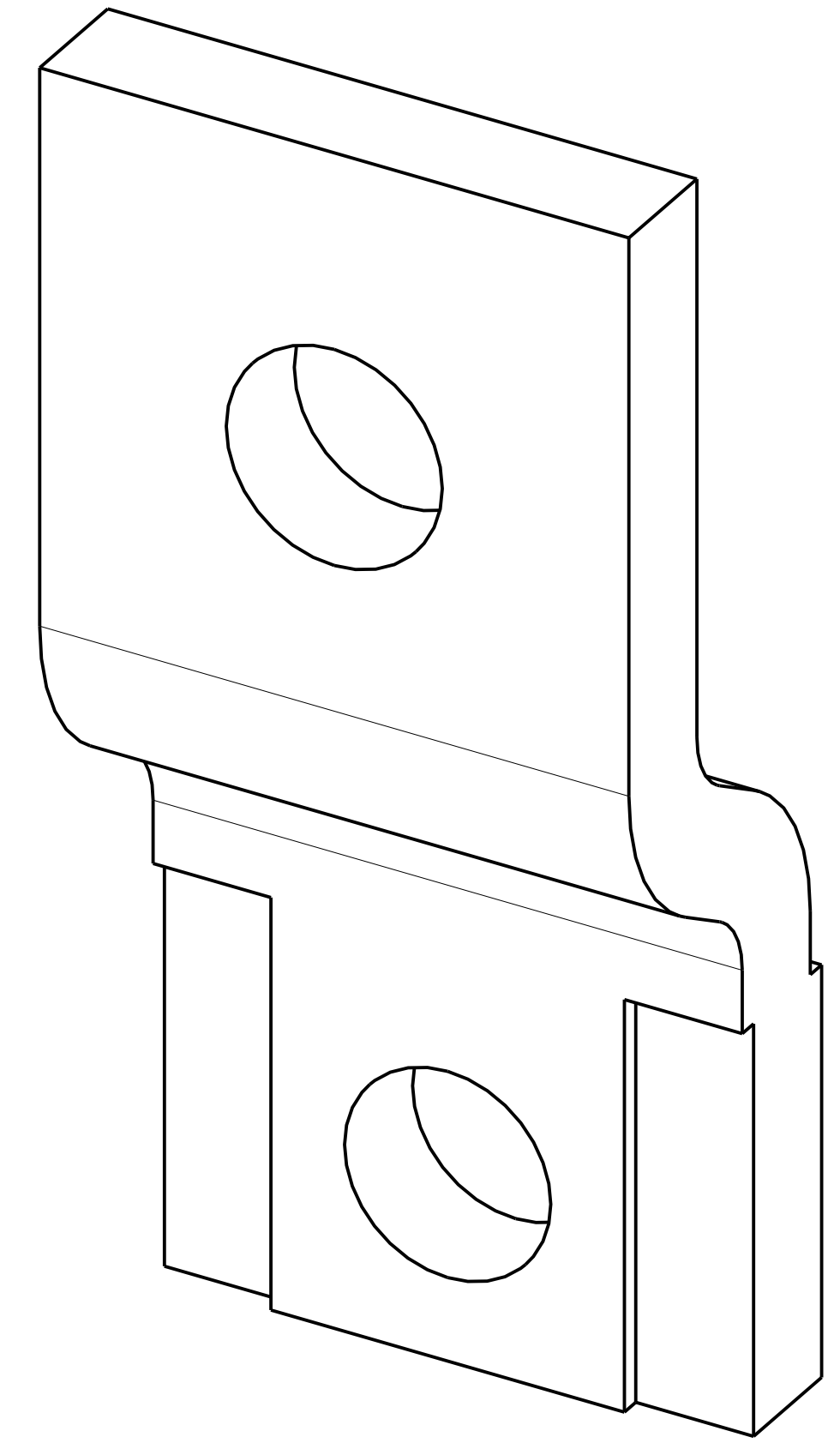
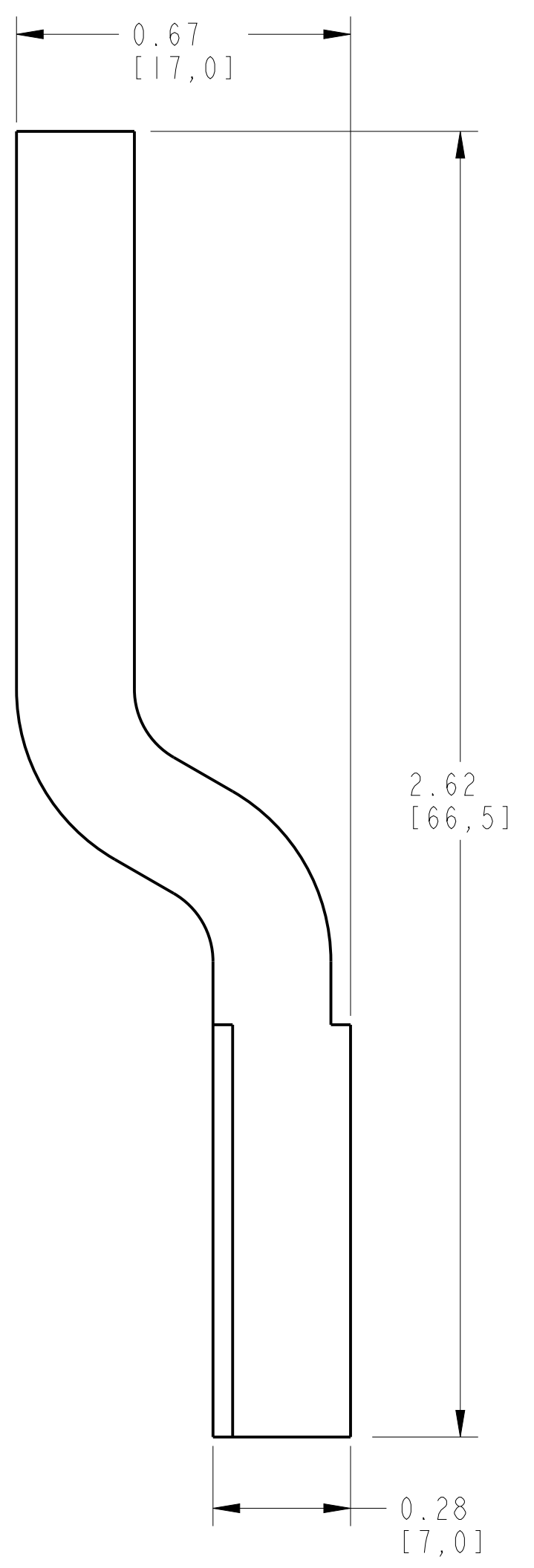
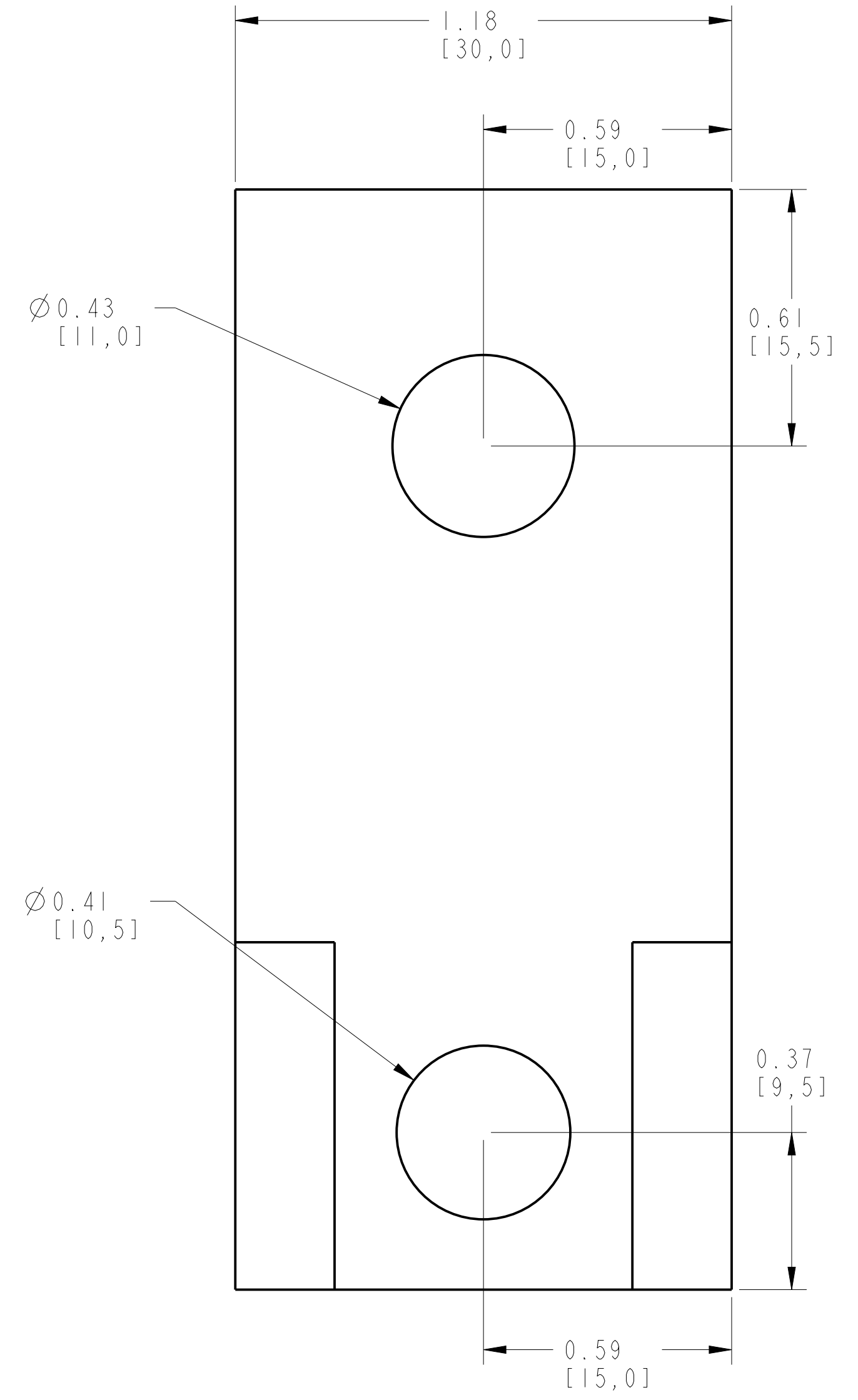
ITEM	DESCRIPTION	QTY	AB CAT NUMBER
1	MOLDED CASE CIRCUIT BREAKER	1	140G-K-3P CB
2	FRONT EXTENDED TERMINAL 3P (3 PCS)	2 SETS	140G-K-EXT3
3	PHASE BARRIERS LOW 3 POLE (2 PCS)	2 SETS	140G-K-PB3L
4	INSULATION BACK PLATE 3P (2 PCS)	1 SET	-
5	ENDCAP ASSEMBLY (3 PCS)	2 SETS	-



FRONT EXTENDED TERMINAL ASSEMBLED TO 140G-K-3-POLE
SCALE 0.5:1

1 2 3 4 5 6 7 8

A
B
C
D
E
F
G
H



ISOMETRIC VIEW

ITEM 2 : FRONT EXTENDED TERMINAL
SCALE 3.5 : 1

		<small>CONFIDENTIAL AND PROPRIETARY INFORMATION. THIS DOCUMENT CONTAINS CONFIDENTIAL AND PROPRIETARY INFORMATION OF ROCKWELL AUTOMATION, INC. AND MAY NOT BE USED, COPIED OR DISCLOSED TO OTHERS, EXCEPT WITH THE AUTHORIZED WRITTEN PERMISSION OF ROCKWELL AUTOMATION, INC.</small>	
		Sheet 2 Of 2	
EXTND TRMNL ASSEMBLED TO 140G-K-3P CB		Size D	Ver 00
Drawn by: UMUNUSW	Date: 10-24-13	10000911375	