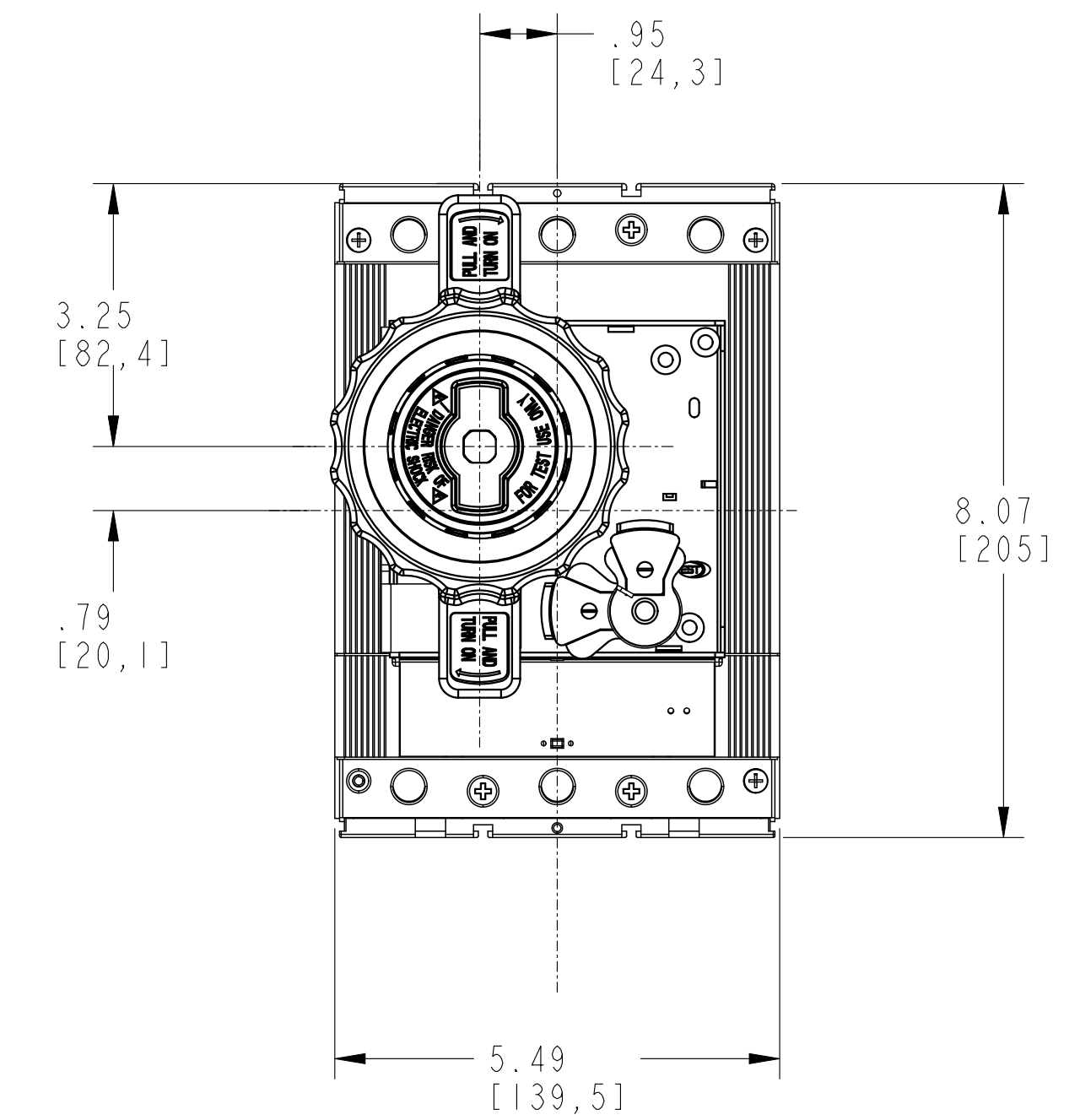
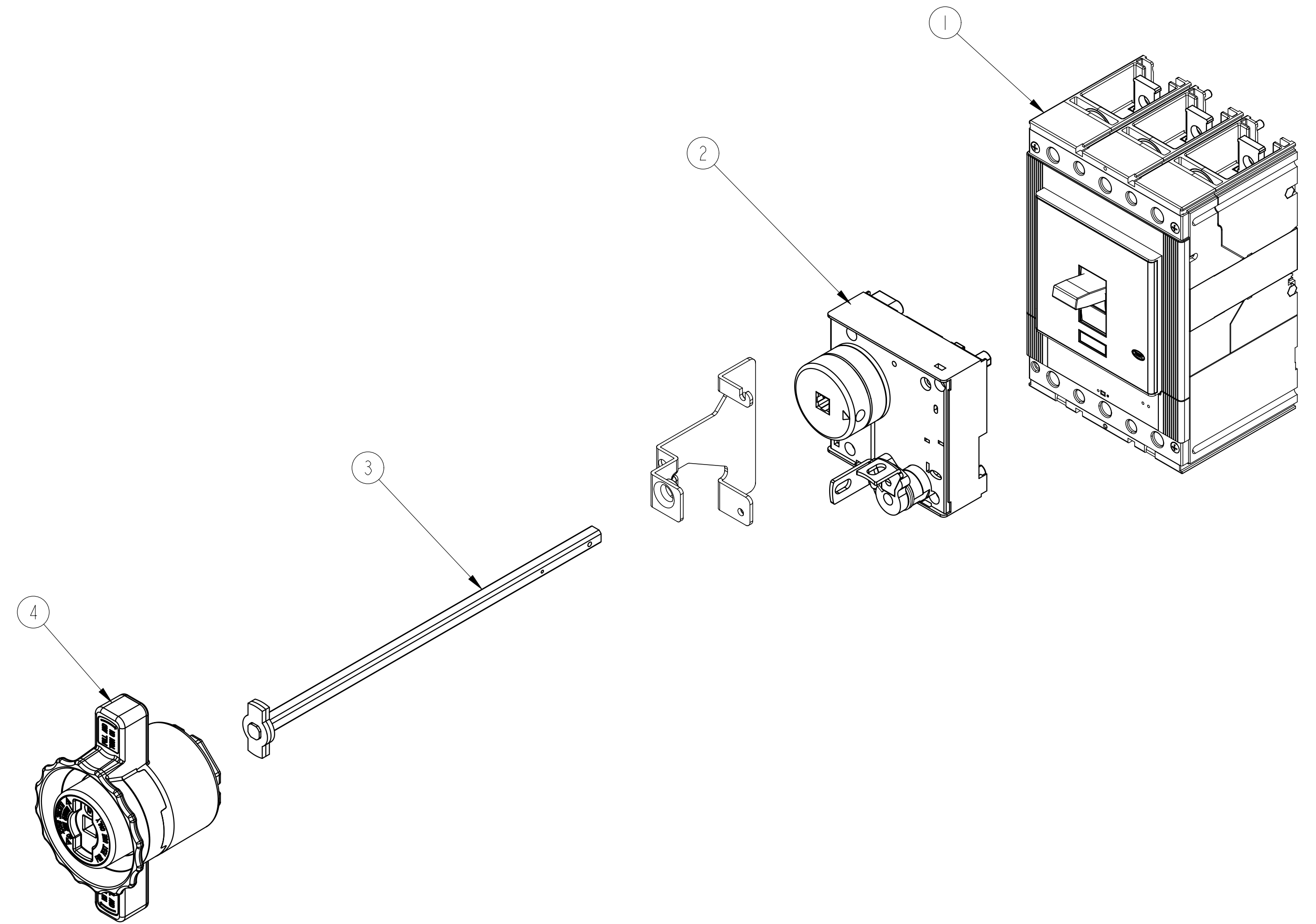
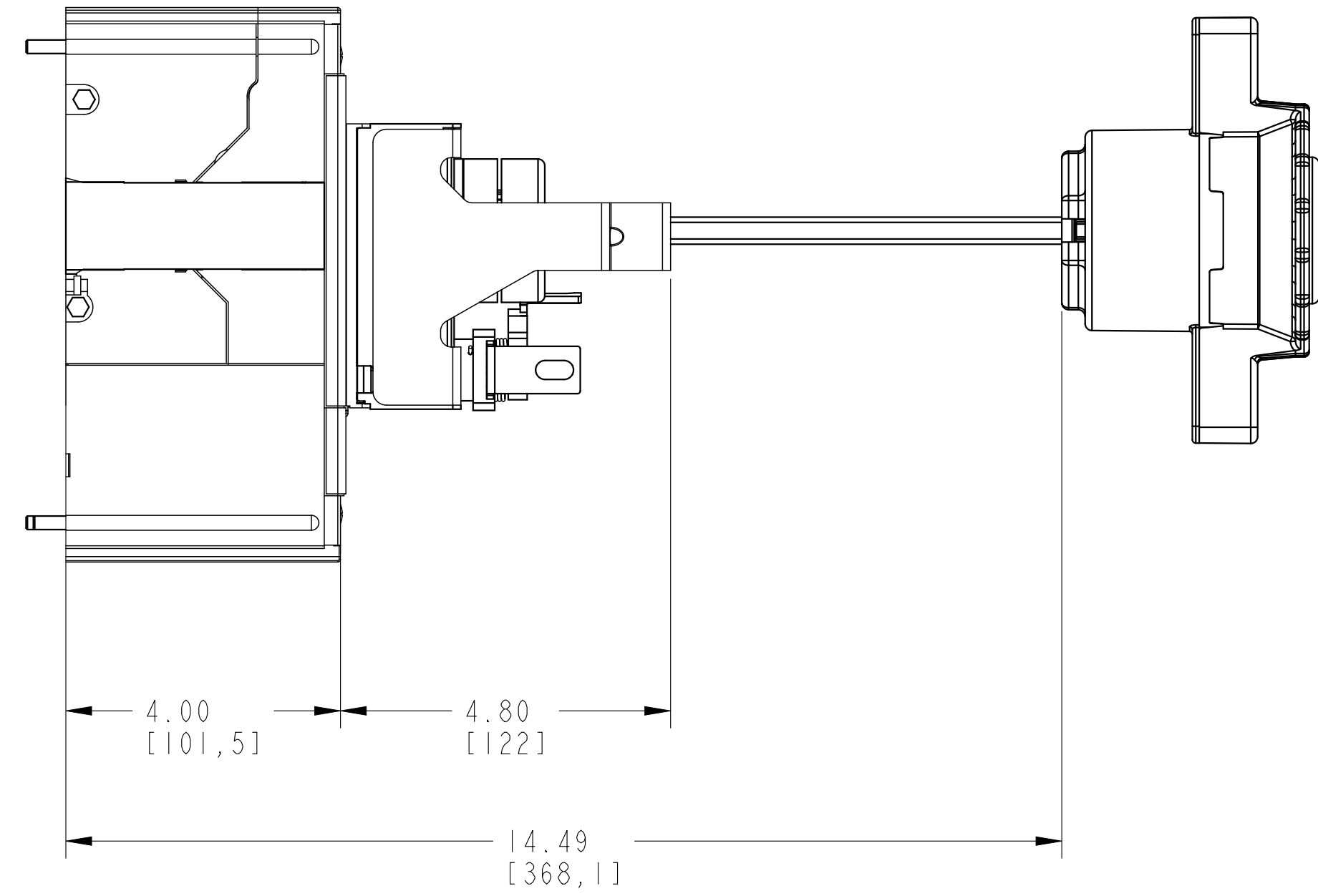
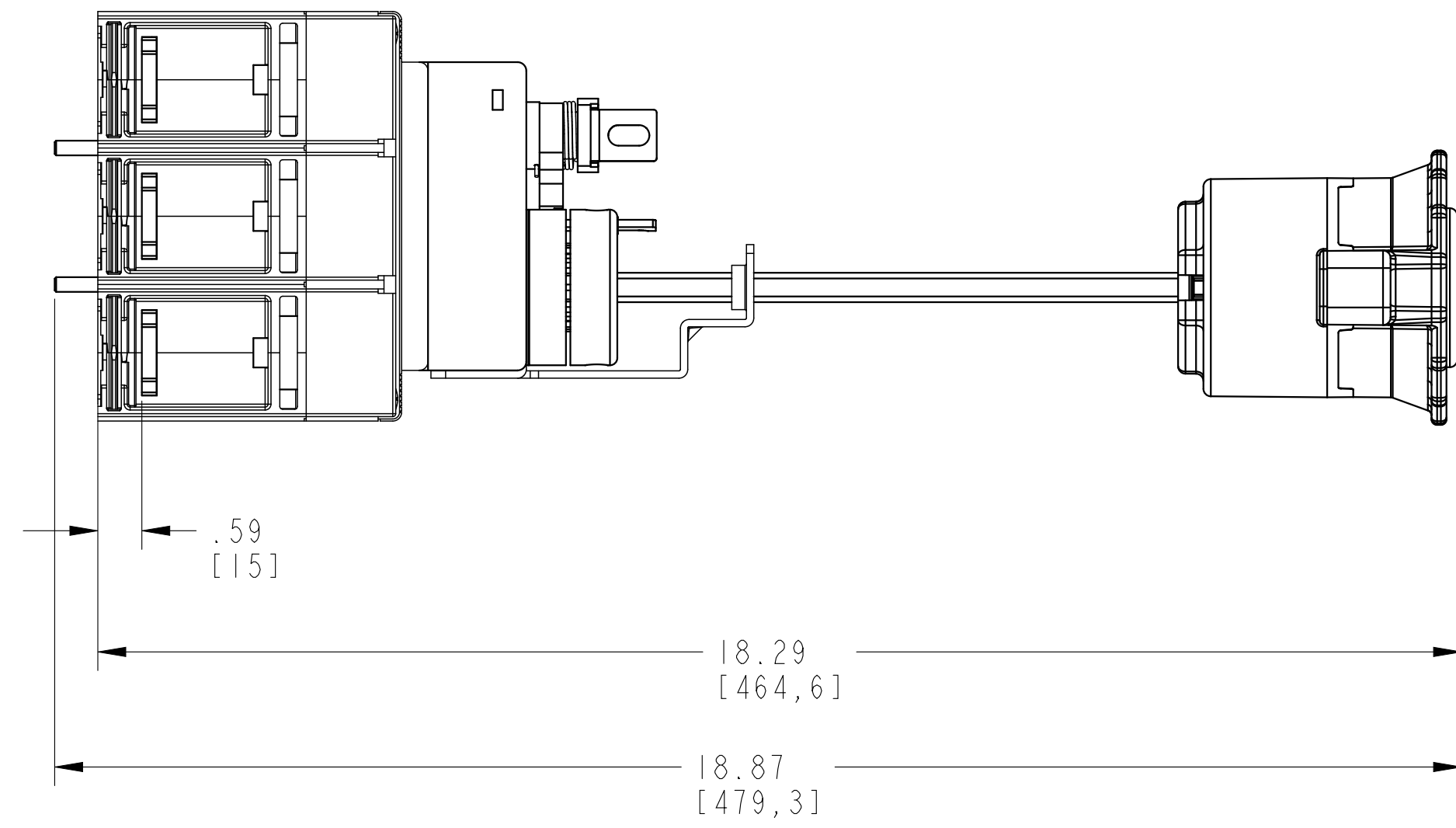
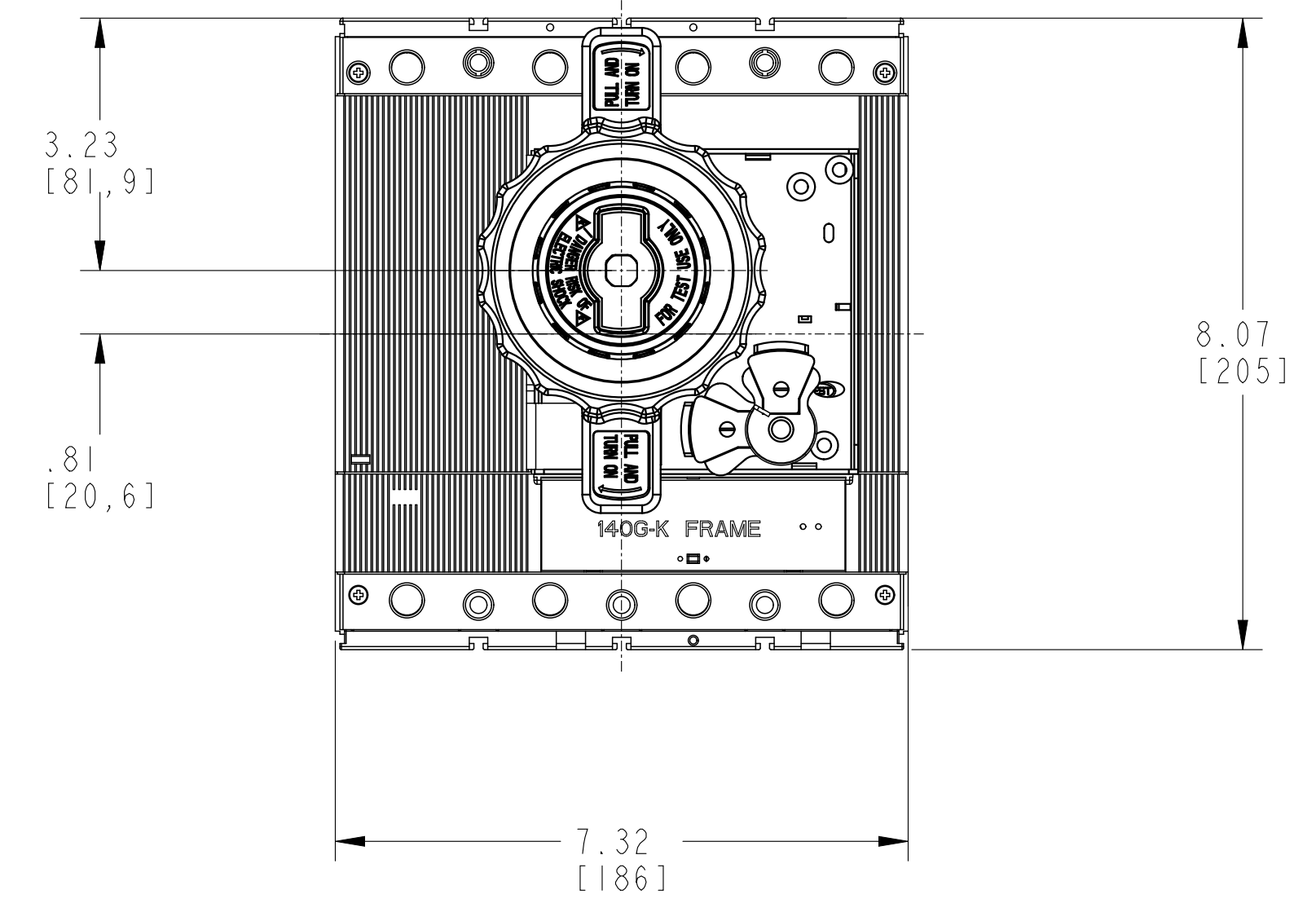
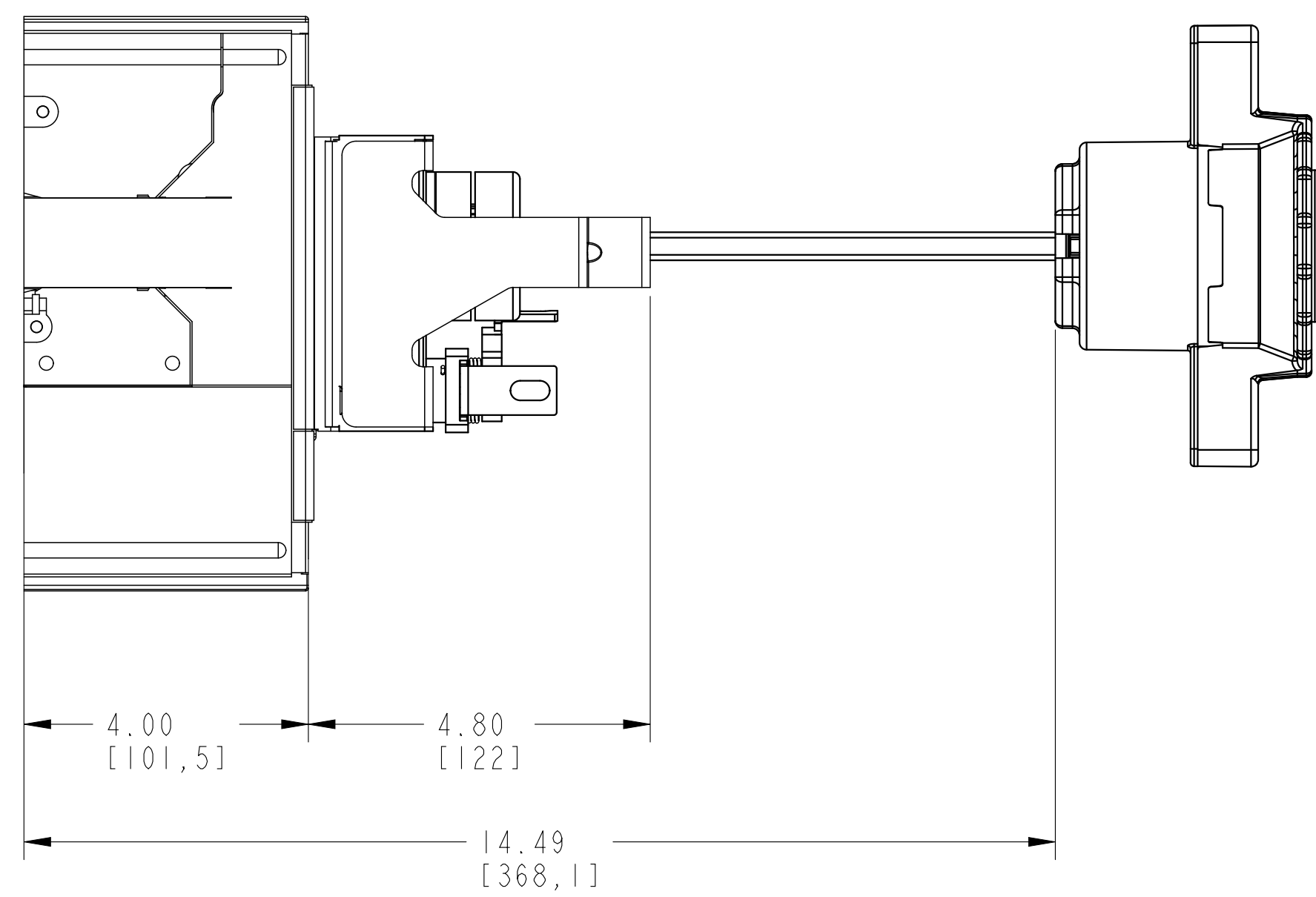
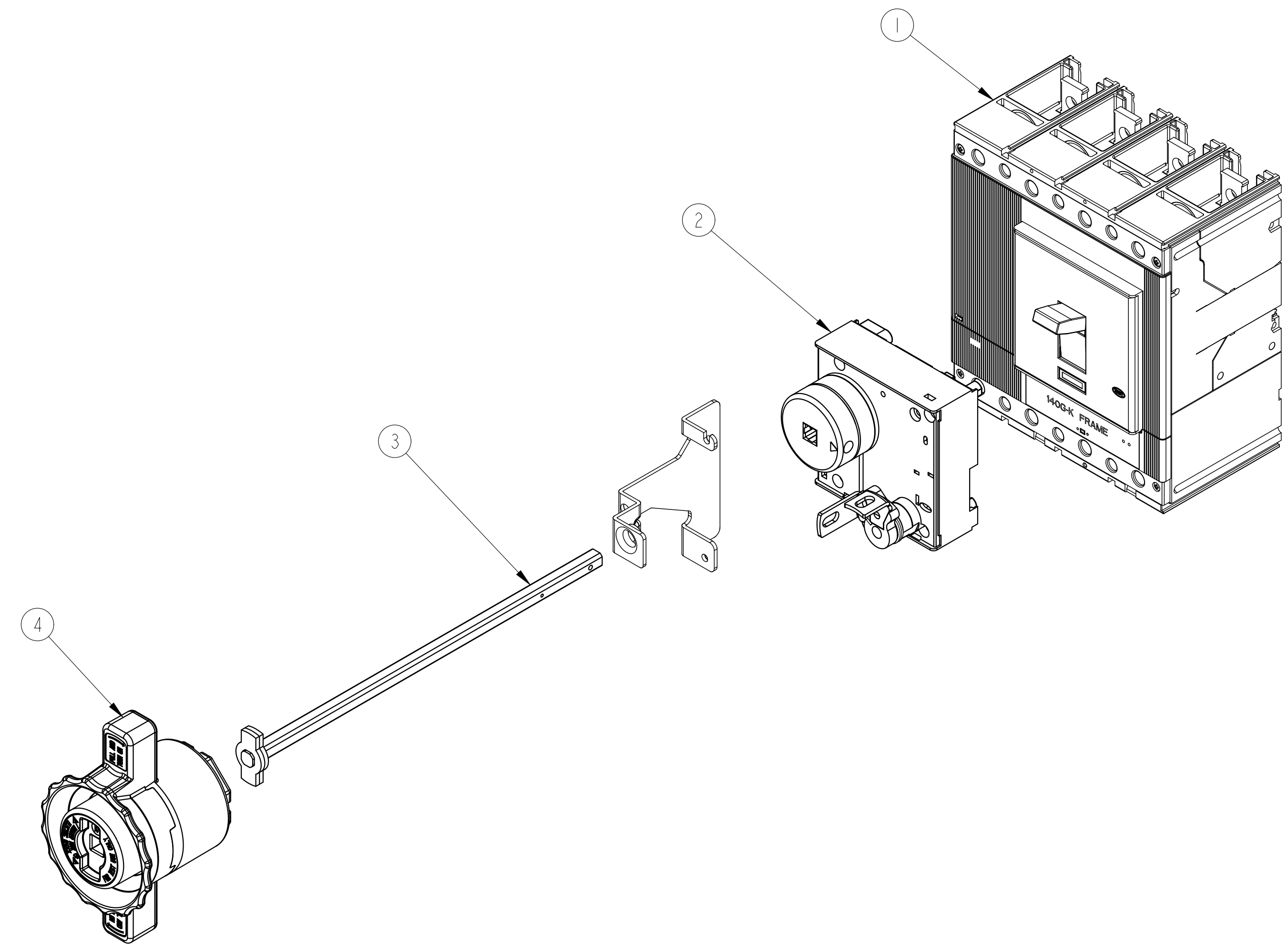
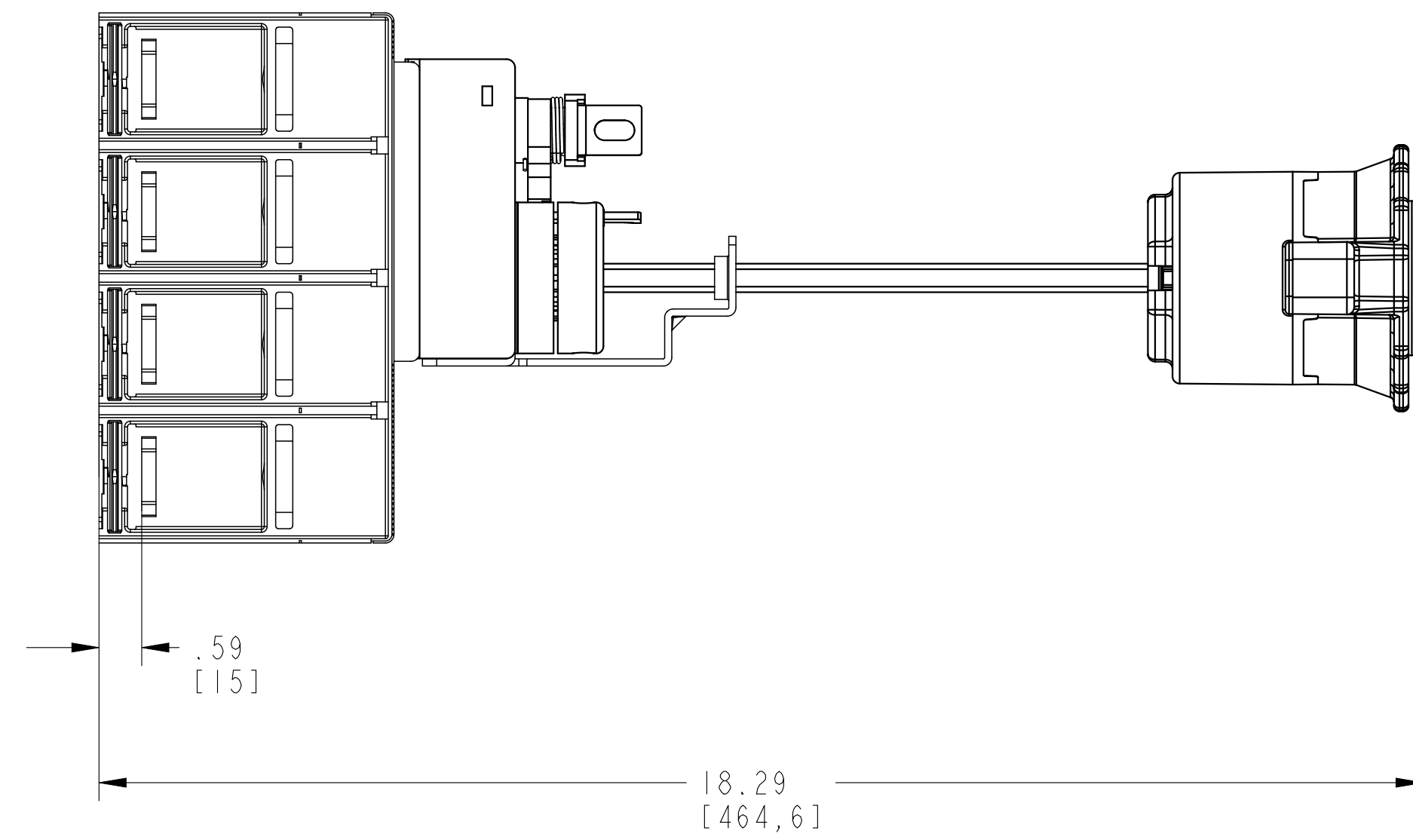


ROTARY MECHANISM ASSEMBLY			
ITEM	DESCRIPTION	QTY	AB CAT NUMBER
1	MOLDED CASE CIRCUIT BRAKER	1	140G-K-3P CB
2	ROTARY MECHANISM	1	140G-K-RMX
3	OPERATING SHAFT	1	-
4	NFPA 79 INTERNAL OPERATING HANDLE	1	140G-N8

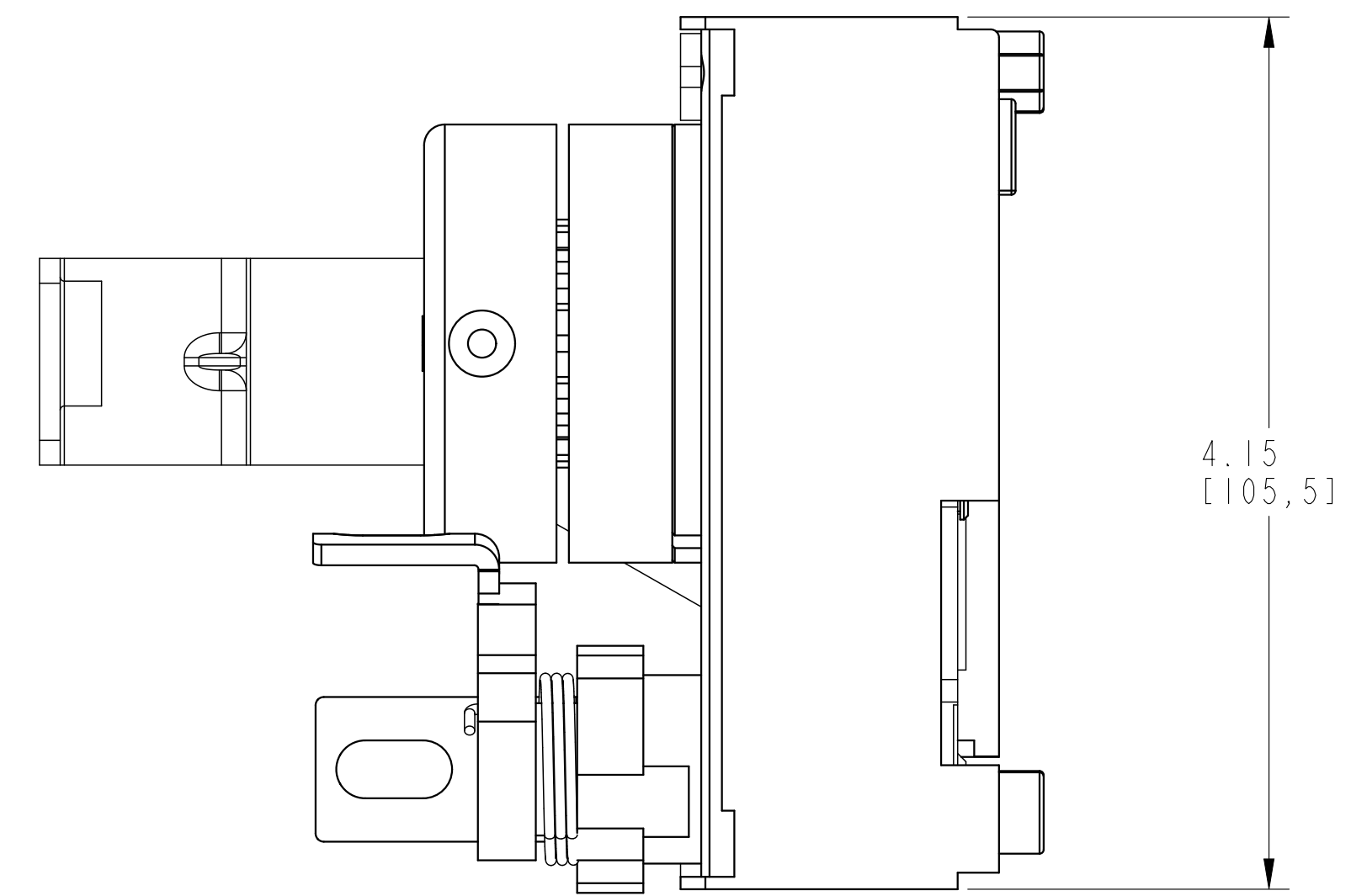
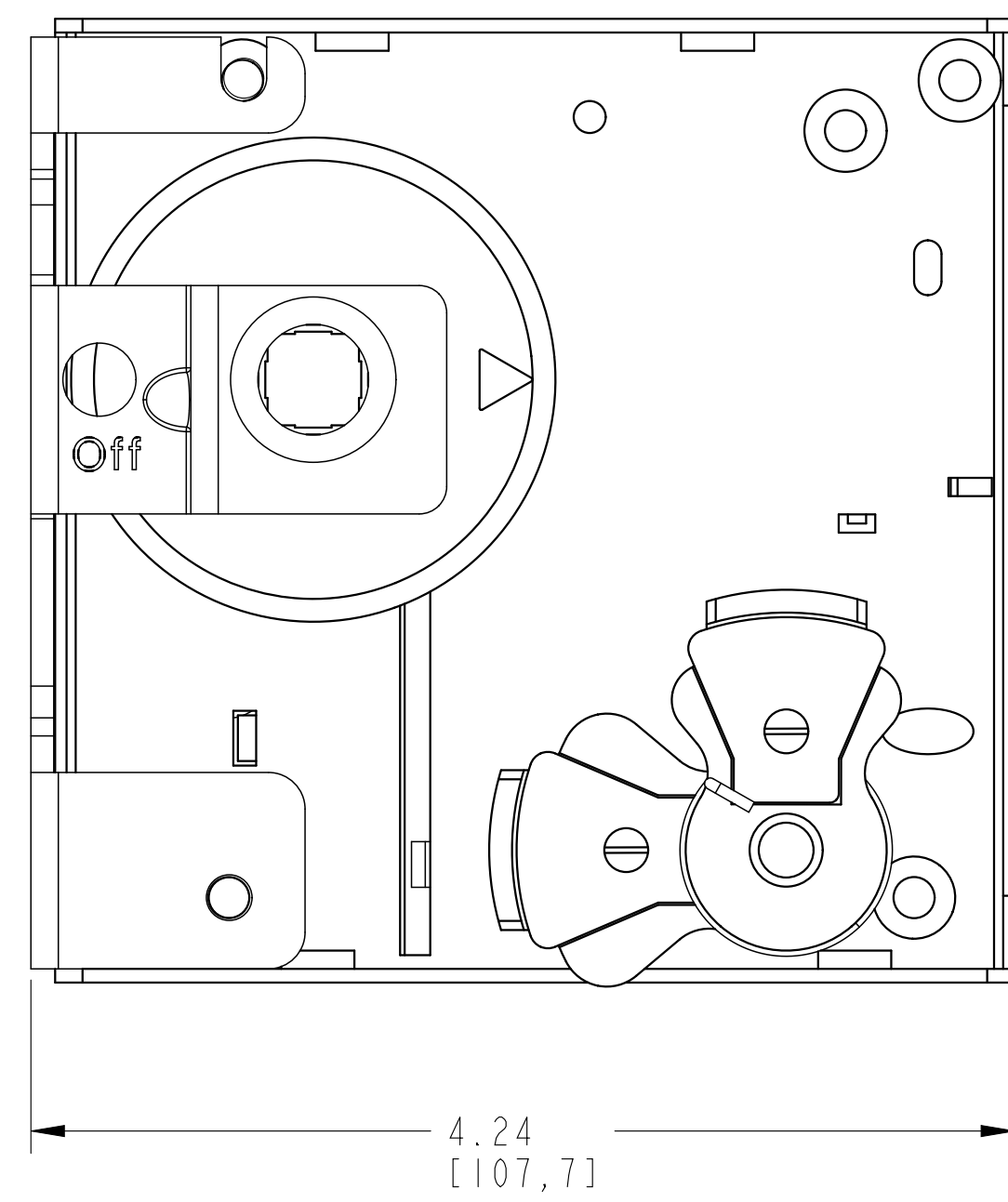
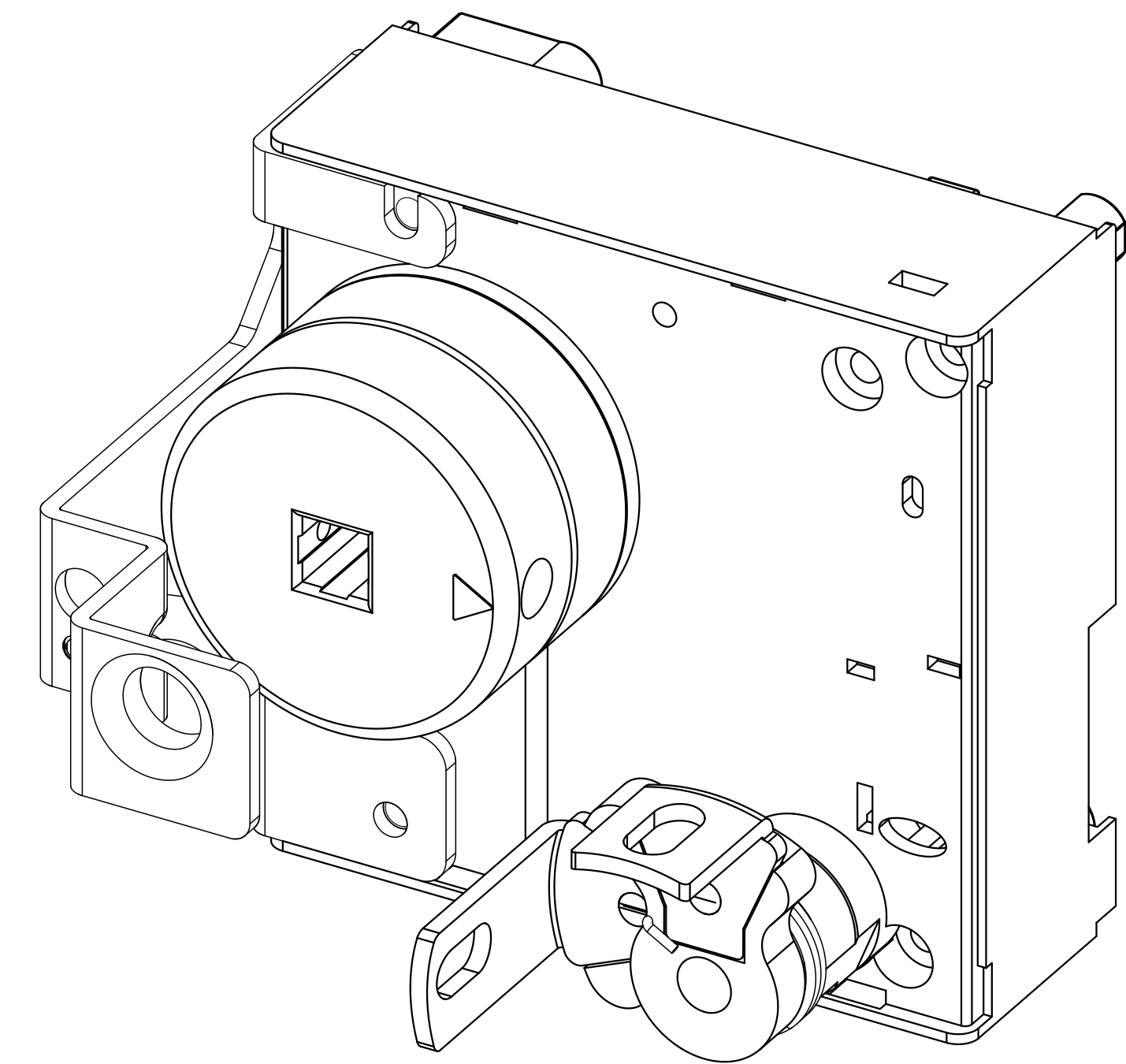
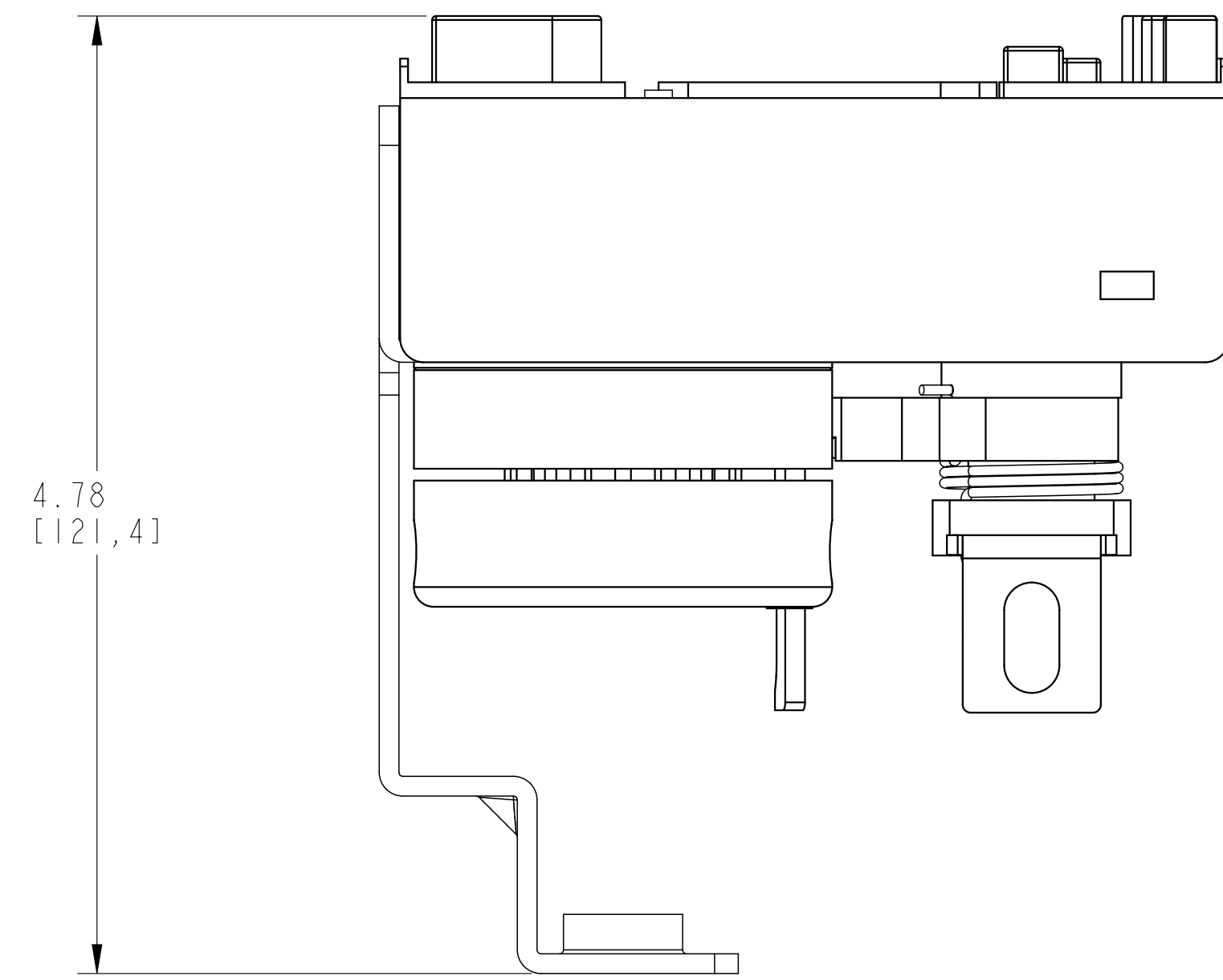


Dimensions in inches(millimeters).
Dimensions are not intended to be used for manufacturing purposes.

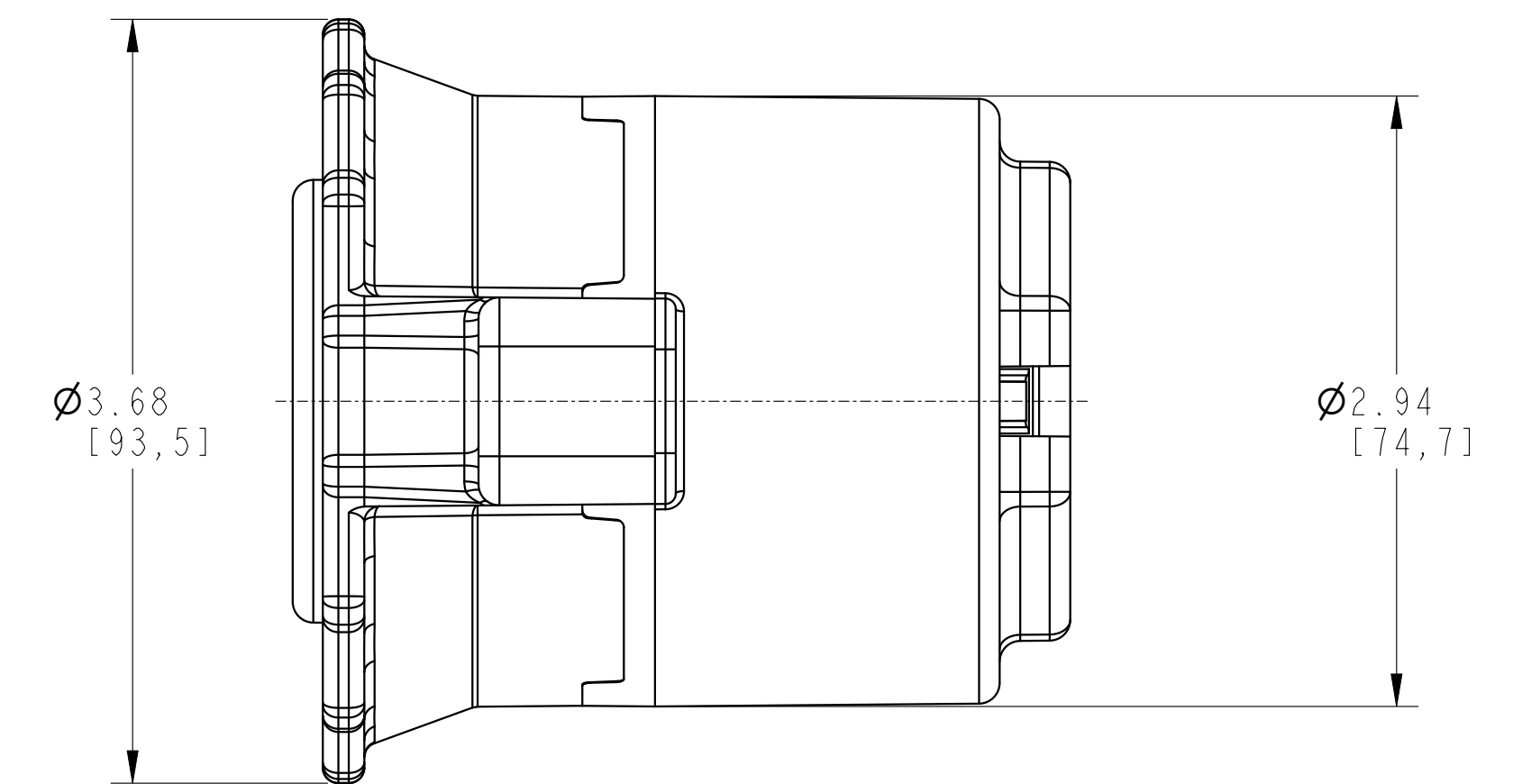
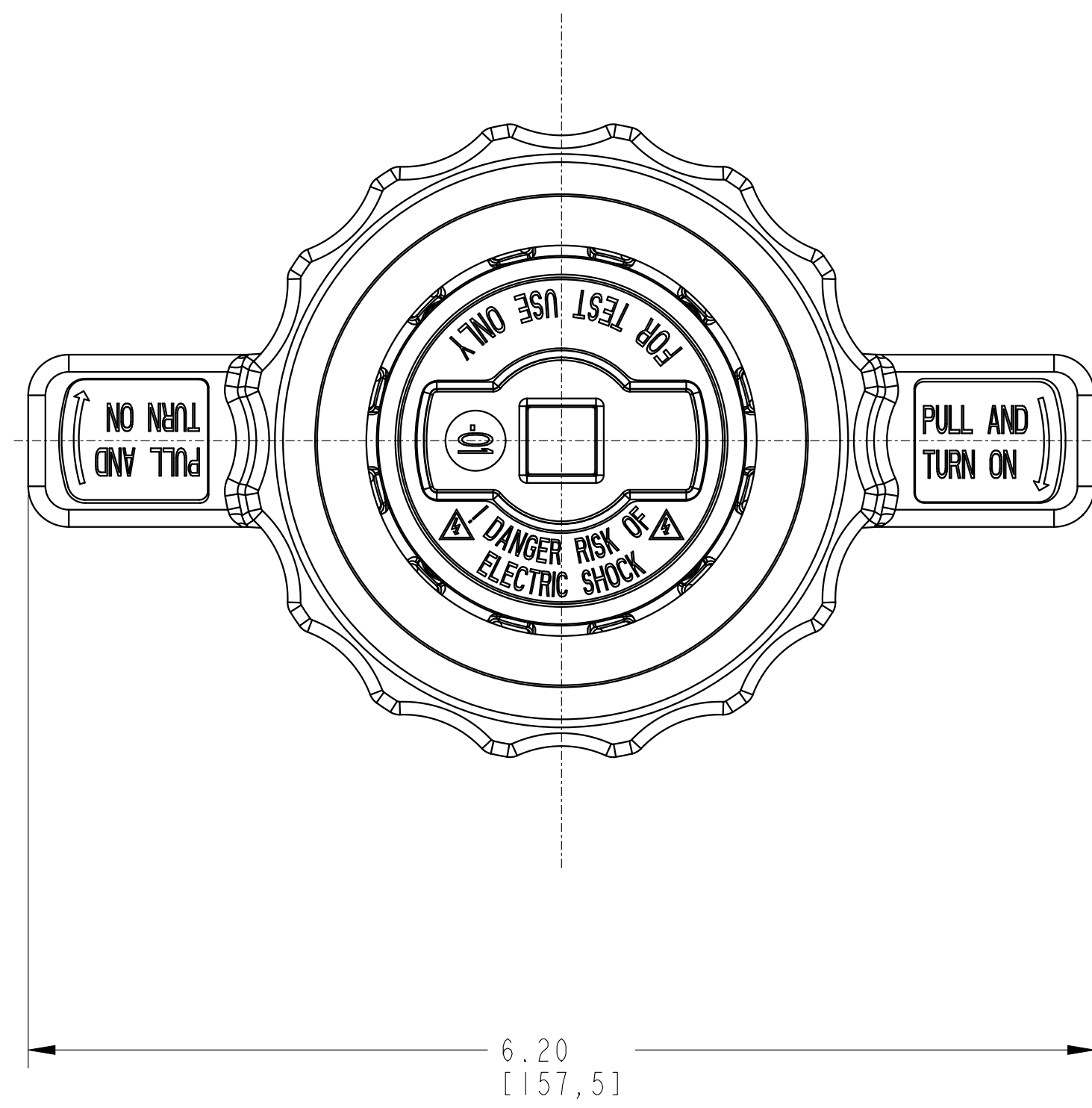
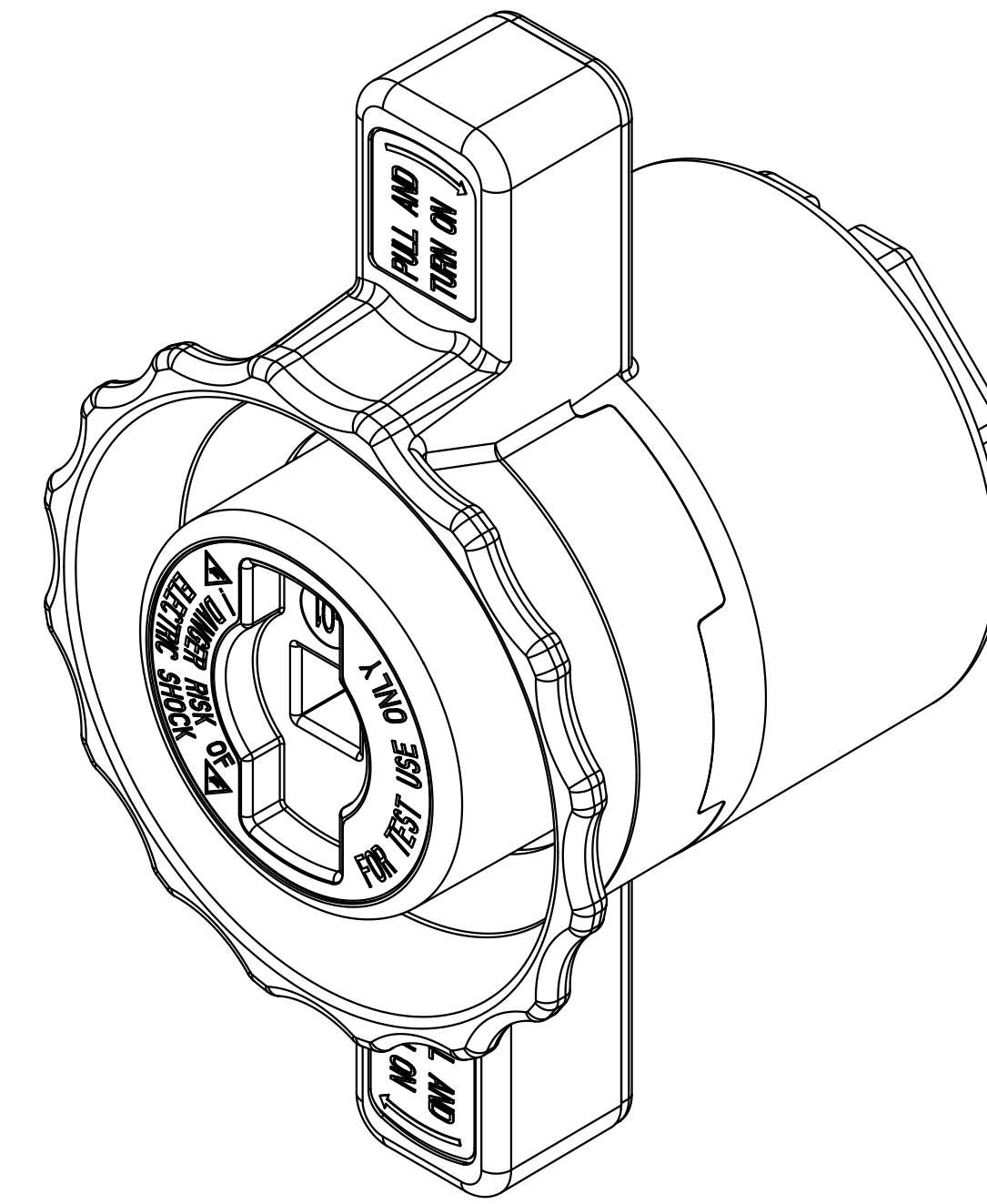
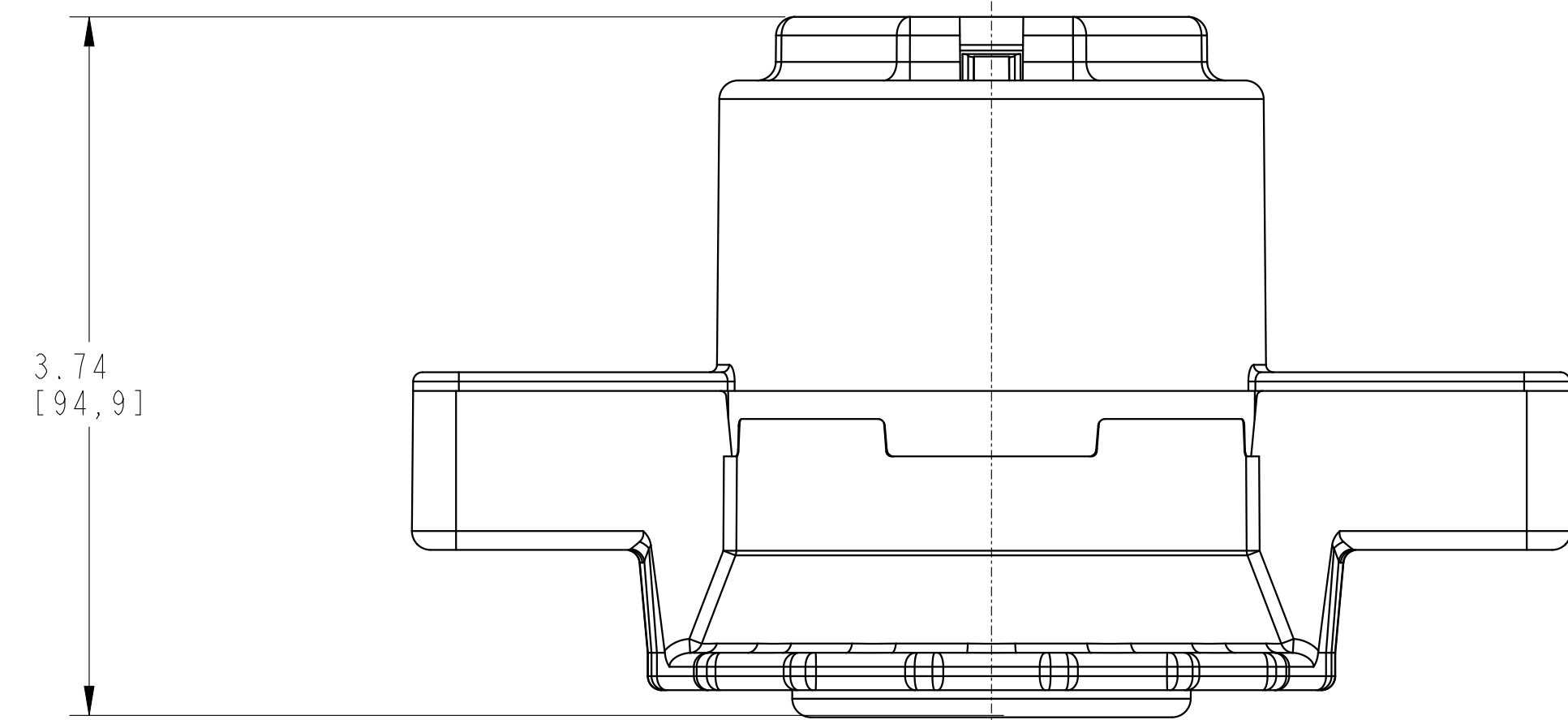
ROTARY MECHANISM ASSEMBLY			
ITEM	DESCRIPTION	QTY	AB CAT NUMBER
1	MOLDED CASE CIRCUIT BRAKER	1	140G-K-4P CB
2	ROTARY MECHANISM	1	140G-K-RMX
3	OPERATING SHAFT	1	-
4	NFPA 79 INTERNAL OPERATING HANDLE	1	140G-N8



Dimensions in inches(millimeters).
 Dimensions are not intended to be used for manufacturing purposes.



Dimensions in inches(millimeters).
Dimensions are not intended to be used for manufacturing purposes.



Dimensions in inches(millimeters).
Dimensions are not intended to be used for manufacturing purposes.