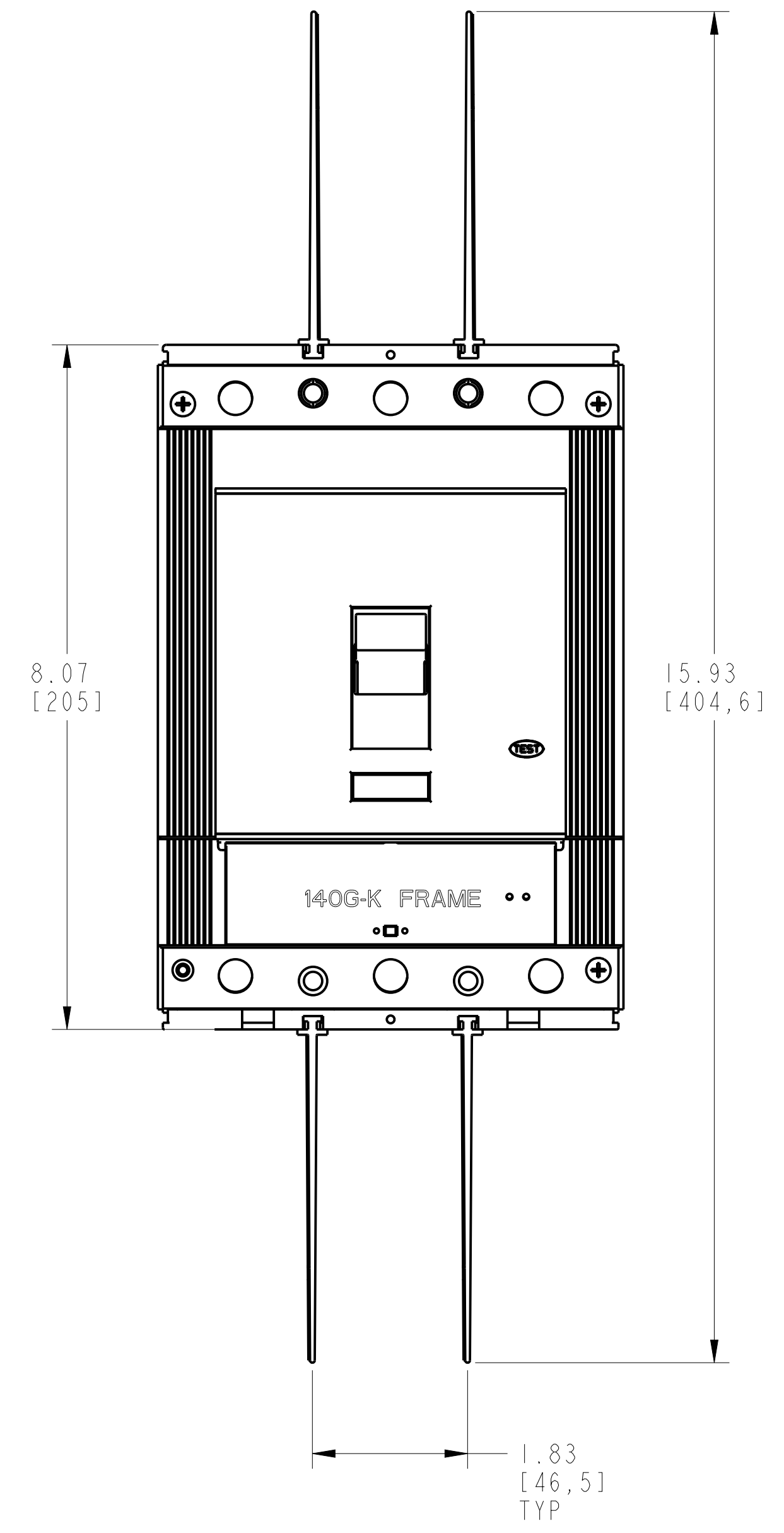
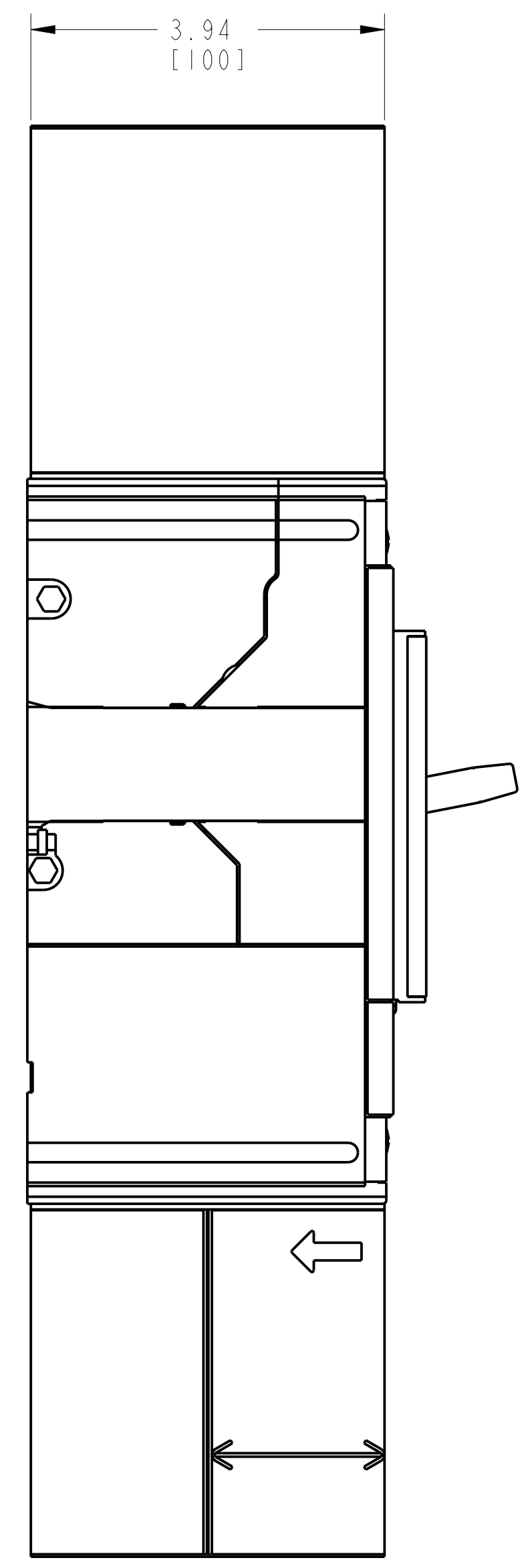
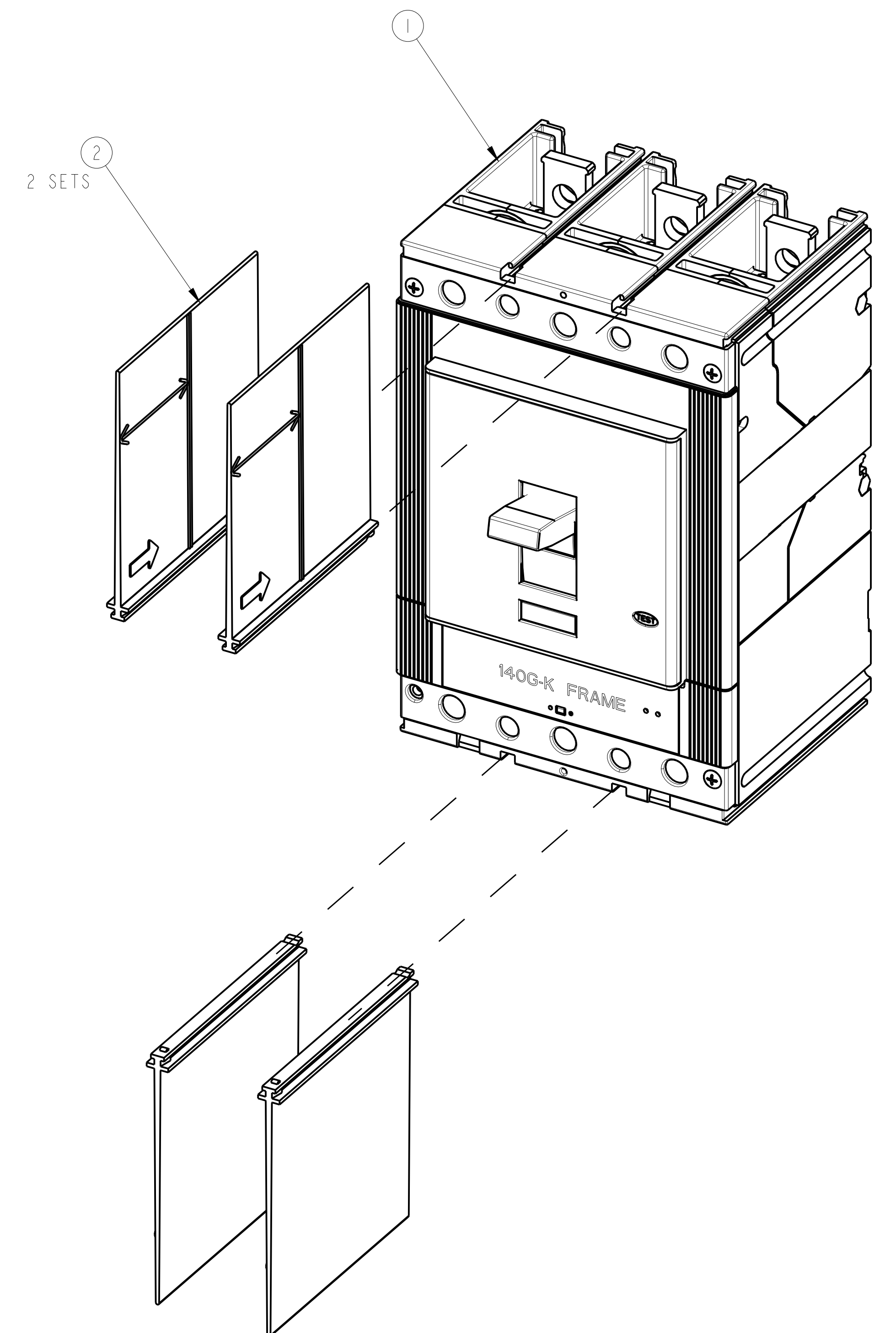
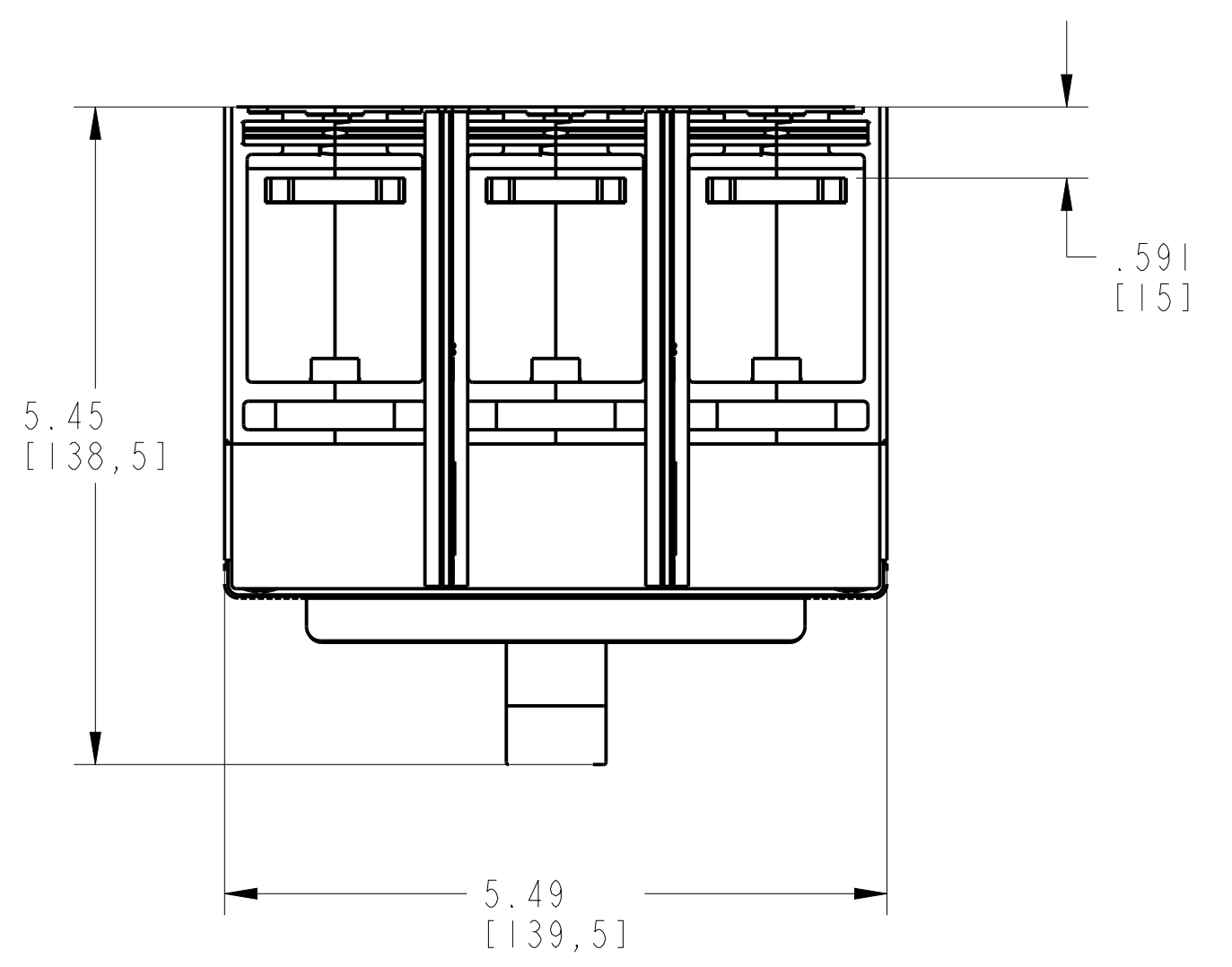


PHASE BARRIERS LOW 3 POLE ASSEMBLY			
ITEM	DESCRIPTION	QTY	AB CAT NUMBER
1	MOLDED CASE CIRCUIT BREAKER	1	140G-K-3P CB
2	PHASE BARRIERS LOW 3 POLE (2 PCS)	2 SETS	140G-K-PB3L

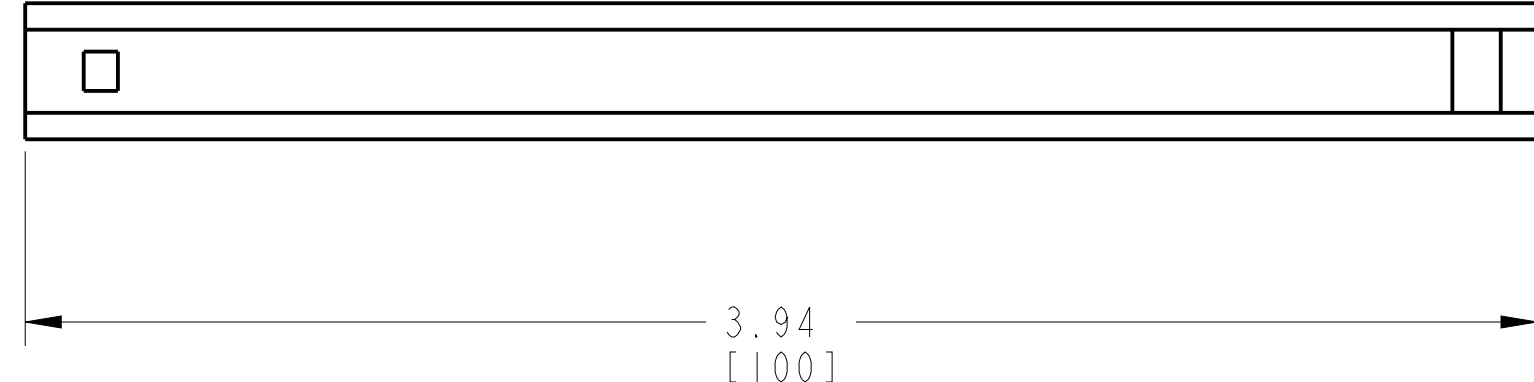
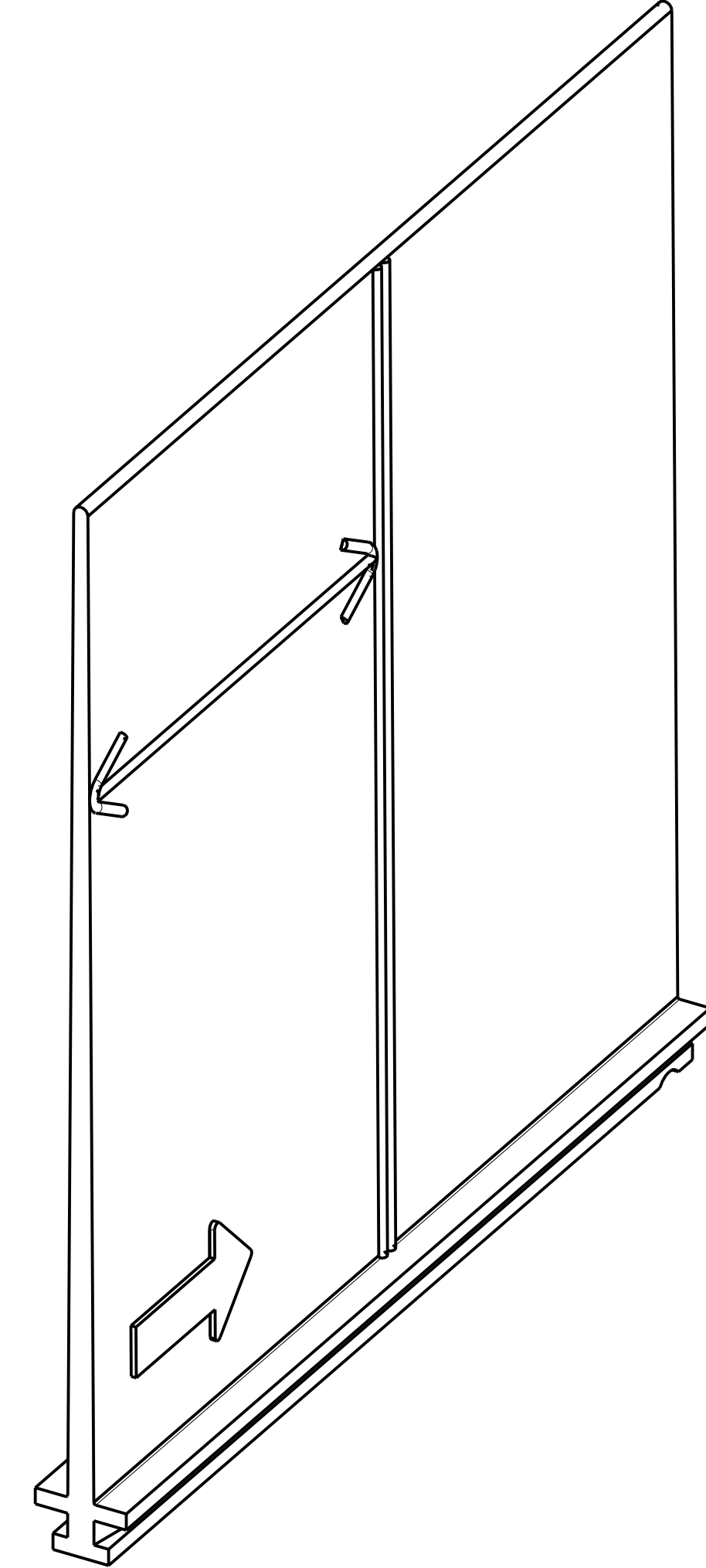
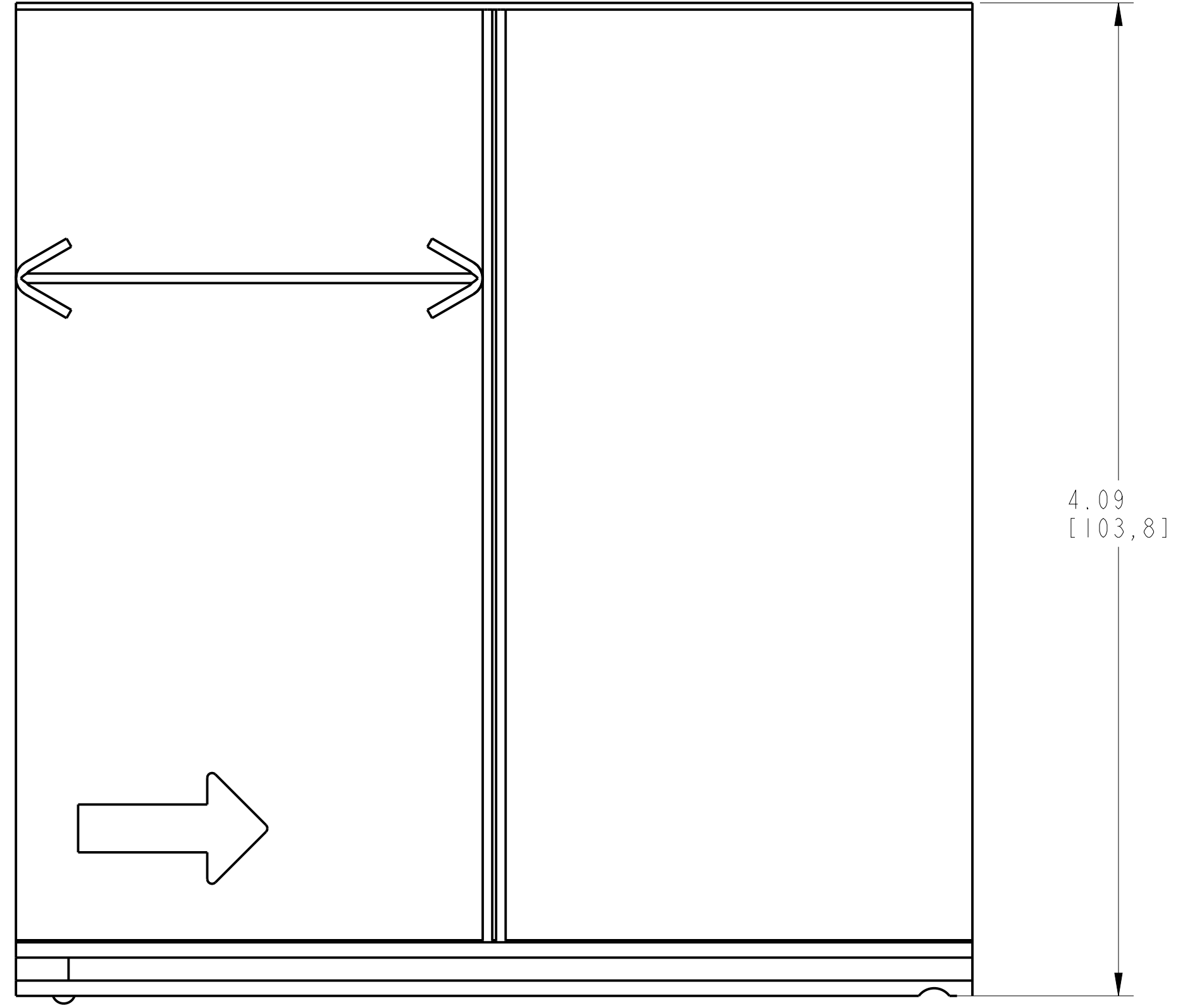
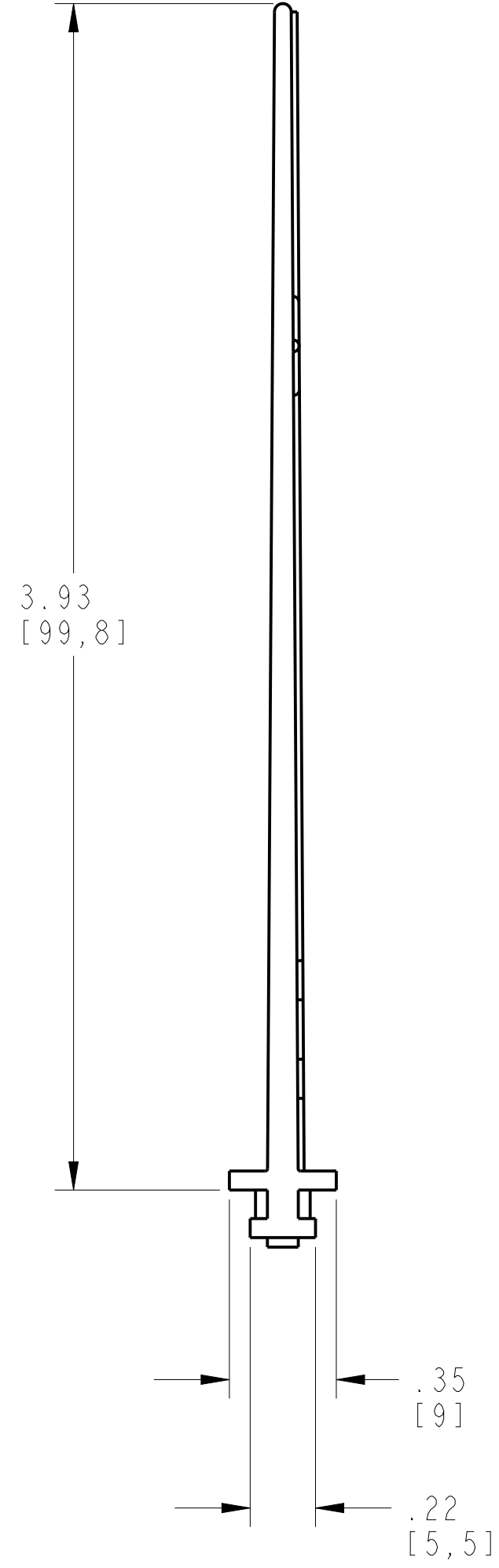


PHASE BARRIERS LOW 3 POLE ASSEMBLED TO 140G-K-3-POLE  
SCALE 0.7:1

		<small>CONFIDENTIAL AND PROPRIETARY INFORMATION. THIS DOCUMENT CONTAINS CONFIDENTIAL AND PROPRIETARY INFORMATION OF ROCKWELL AUTOMATION, INC. AND MAY NOT BE USED, COPIED OR DISCLOSED TO OTHERS, EXCEPT WITH THE AUTHORIZED WRITTEN PERMISSION OF ROCKWELL AUTOMATION, INC.</small>	
		Sheet 1 Of 2	
PB-100MM ASSEMBLED TO 140G-K-3P CB		Size	Ver
D		1000848803	00
Drawn by: UMUNUSW		Date: 10-24-13	

1 2 3 4 5 6 7 8

A  
B  
C  
D  
E  
F  
G  
H



ITEM 2 : PHASE BARRIERS LOW 3 POLE  
SCALE 2:1

		<small>CONFIDENTIAL AND PROPRIETARY INFORMATION THIS DOCUMENT CONTAINS CONFIDENTIAL AND PROPRIETARY INFORMATION OF ROCKWELL AUTOMATION, INC. AND MAY NOT BE USED, COPIED OR DISCLOSED TO OTHERS, EXCEPT WITH THE AUTHORIZED WRITTEN PERMISSION OF ROCKWELL AUTOMATION, INC.</small>	
		Sheet 2 Of 2	
PB-100MM ASSEMBLED TO 140G-K-3P CB		Size D	Ver 00
Drawn by: UMUNUSW	Date: 10-24-13	10000848803	