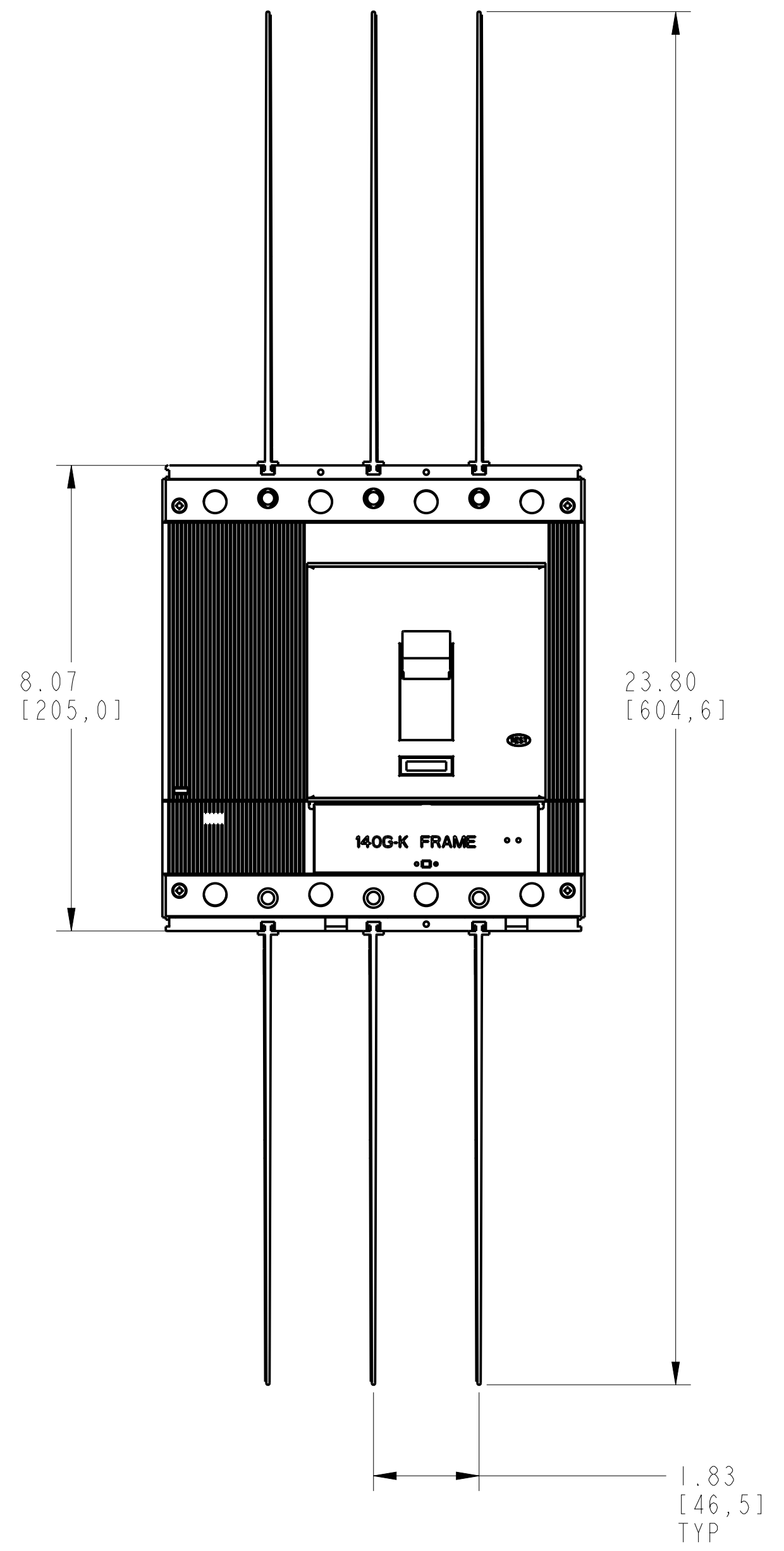
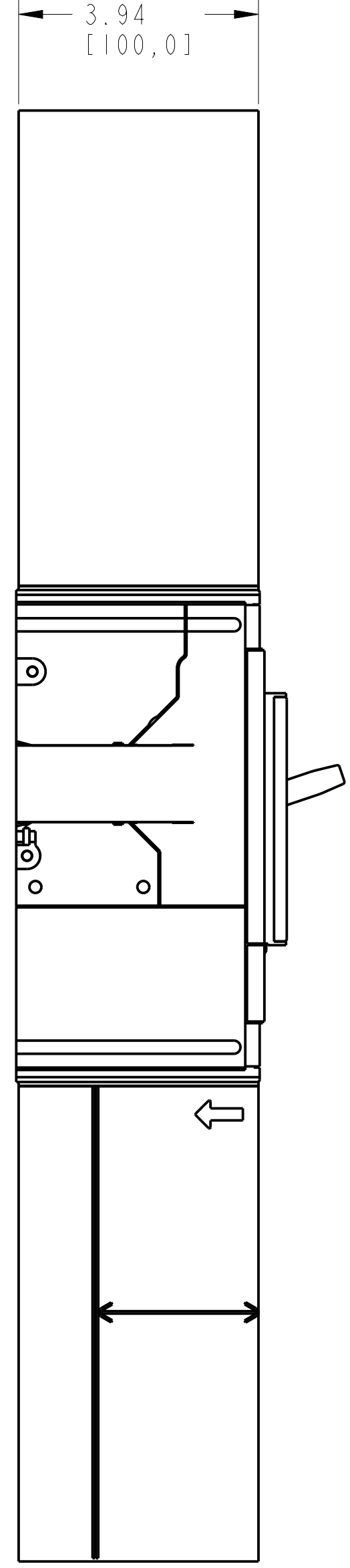
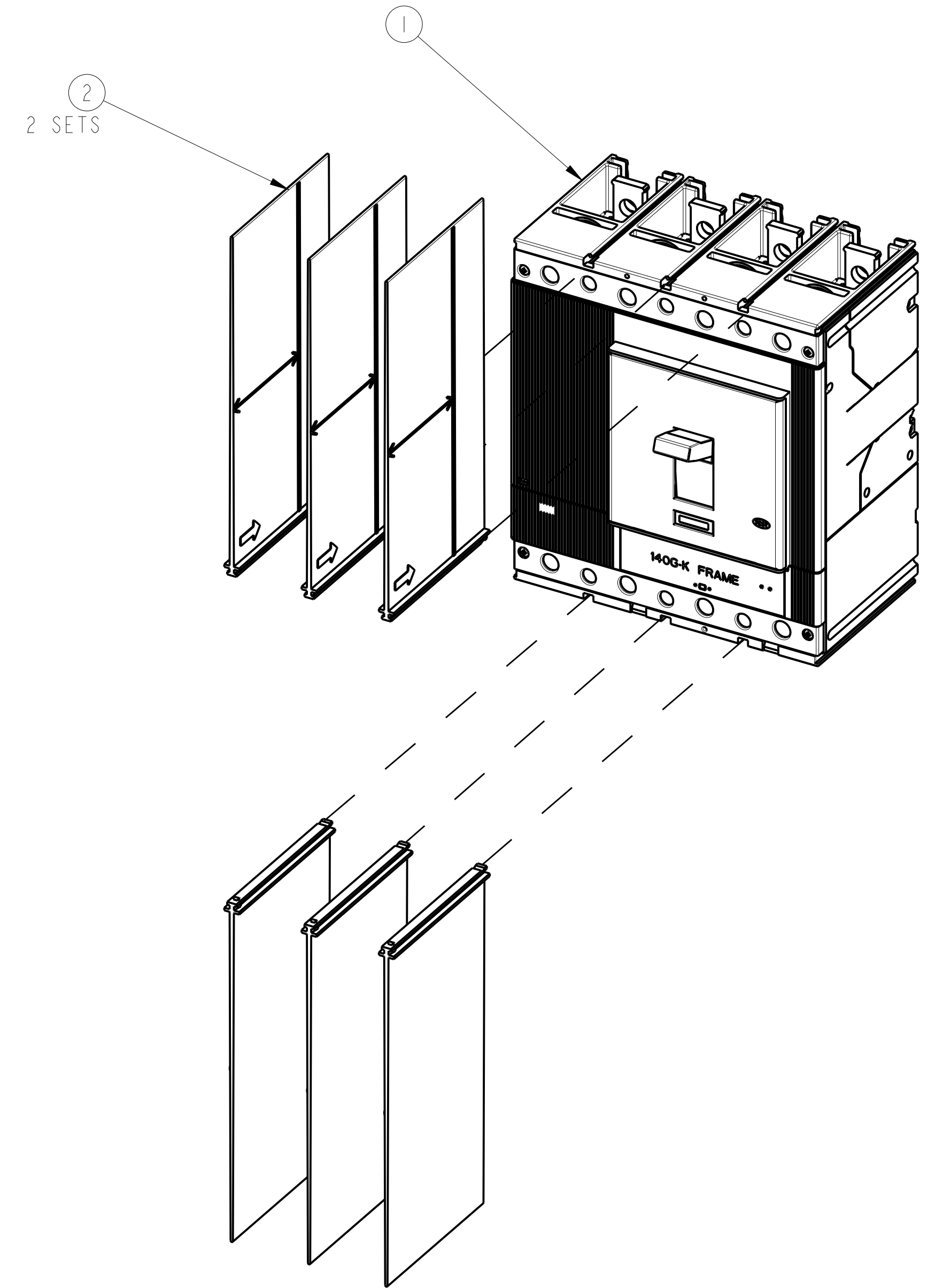
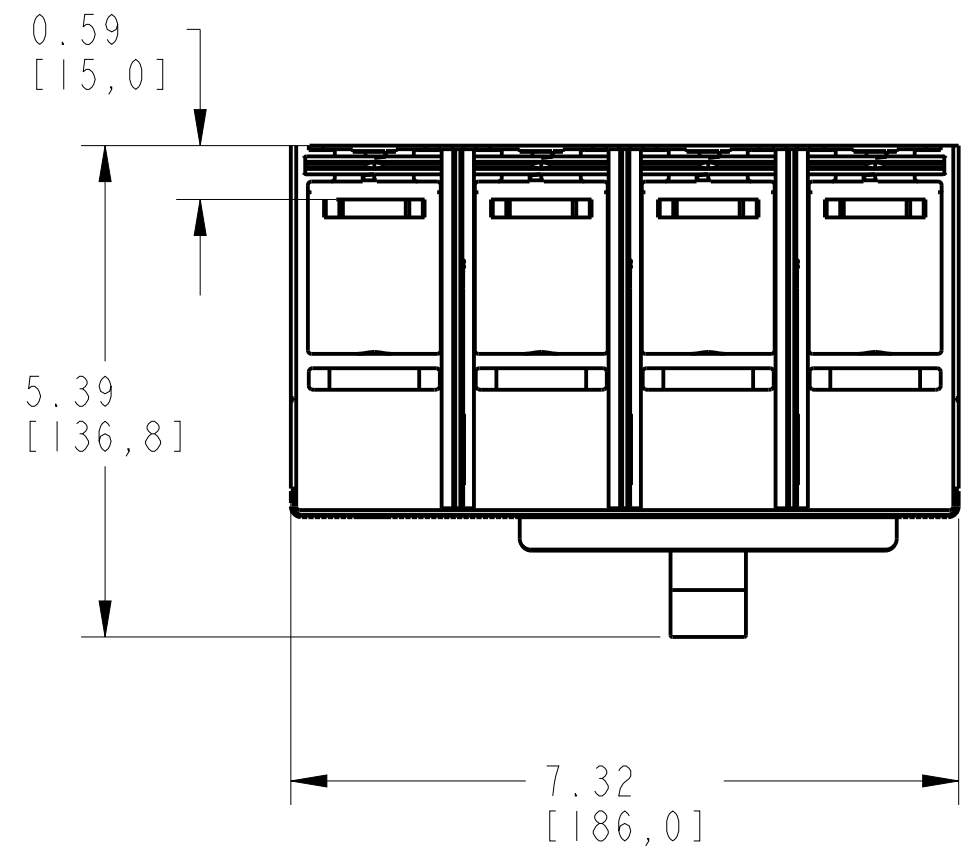


1 2 3 4 5 6 7 8

PHASE BARRIERS HIGH 4 POLE ASSEMBLY

ITEM	DESCRIPTION	QTY	AB CAT NUMBER
1	MOLDED CASE CIRCUIT BREAKER	1	140G-K-4P CB
2	PHASE BARRIERS HIGH 4 POLE (3 PCS)	2 SETS	140G-K-PB4H

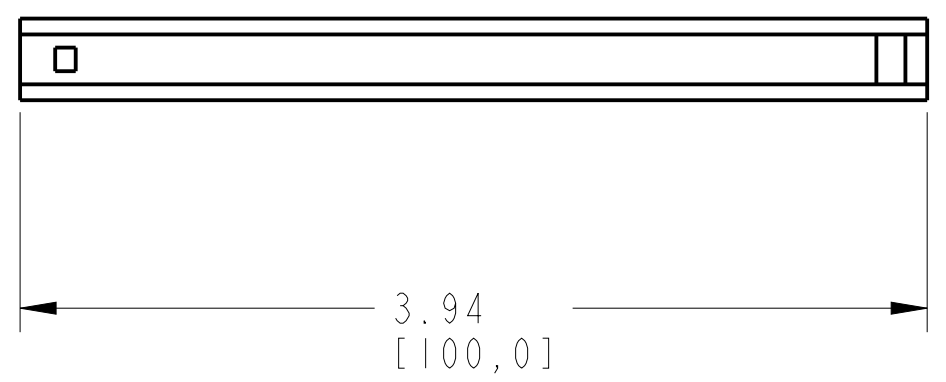
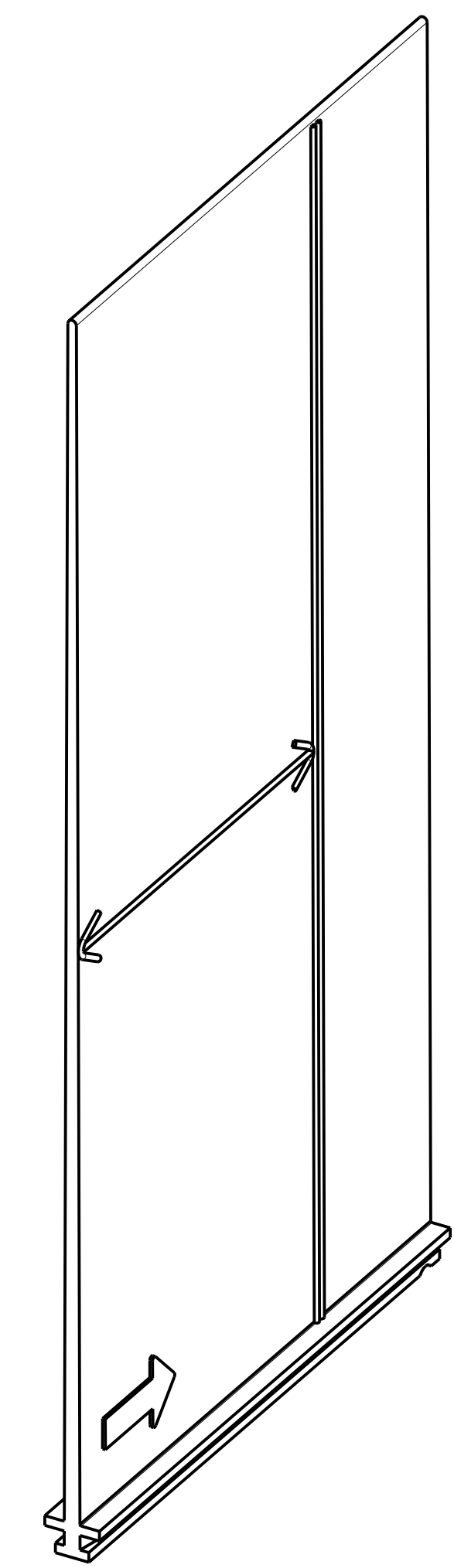
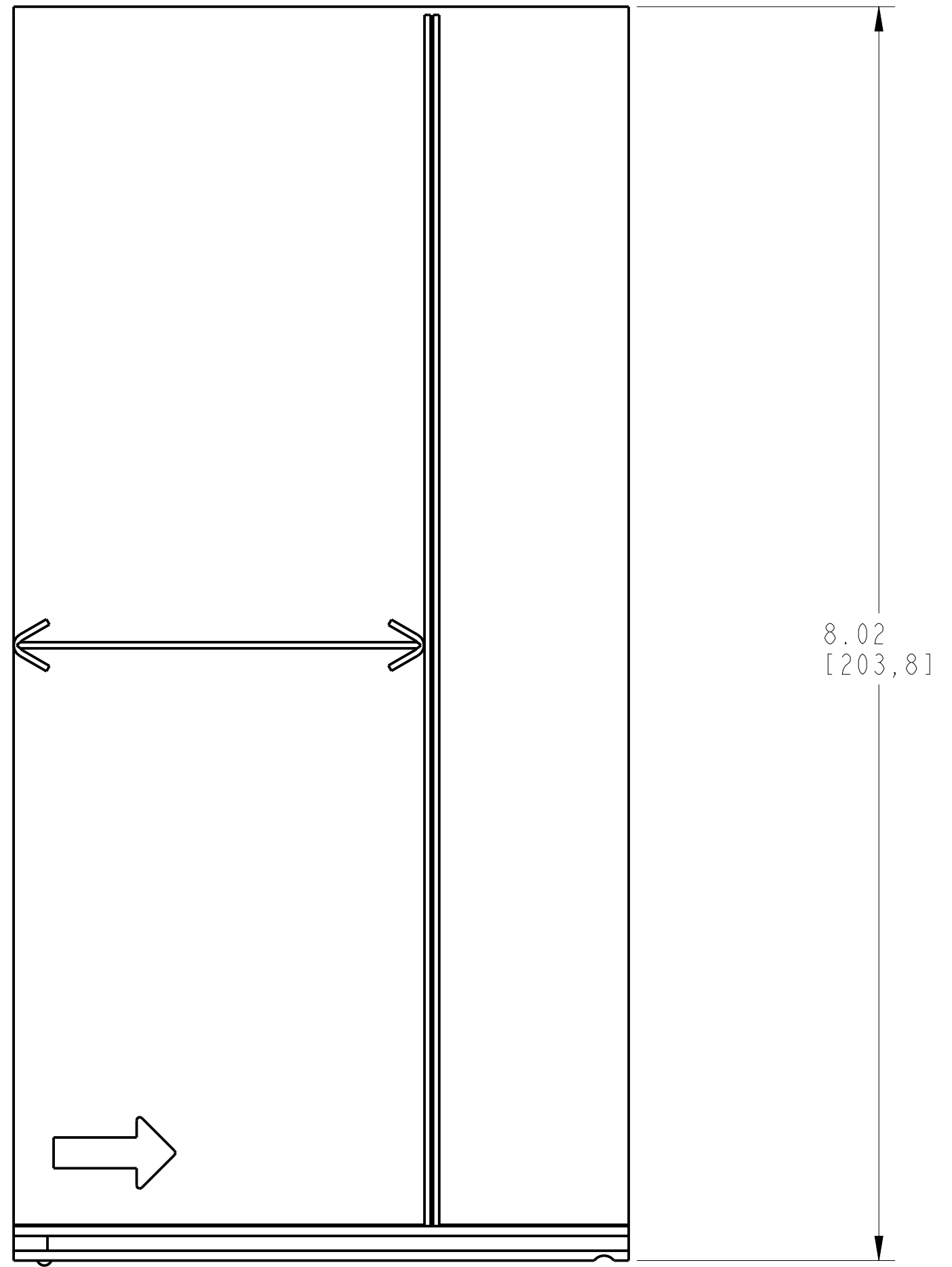
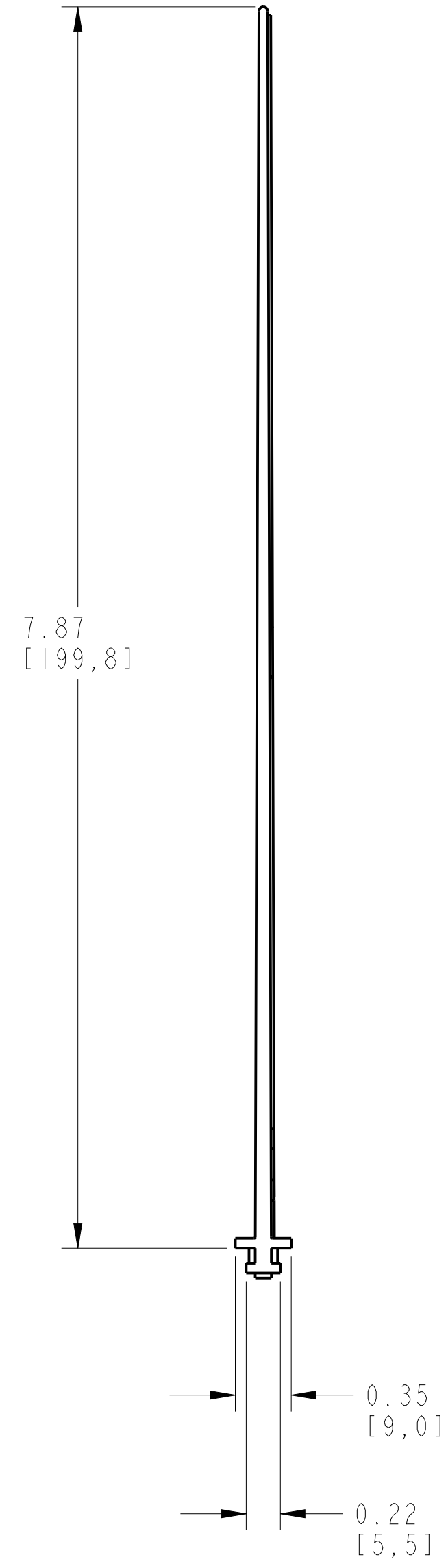


PHASE BARRIERS HIGH 4 POLE ASSEMBLED TO 140G-K-4-POLE  
SCALE 0.47:1

		<small>CONFIDENTIAL AND PROPRIETARY INFORMATION. THIS DOCUMENT CONTAINS CONFIDENTIAL AND PROPRIETARY INFORMATION OF ROCKWELL AUTOMATION, INC. AND MAY NOT BE USED, COPIED OR DISCLOSED TO OTHERS, EXCEPT WITH THE AUTHORIZED WRITTEN PERMISSION OF ROCKWELL AUTOMATION, INC.</small>	
		Sheet 1 Of 2	
PB-200MM ASSEMBLED TO 140G-K-4POLE CB		Size D	Ver 00
Drawn by: UMUNUSW	Date: 10-17-13	1000850747	

1 2 3 4 5 6 7 8

A  
B  
C  
D  
E  
F  
G  
H



ITEM 2 : PHASE BARRIERS HIGH 4 POLE  
SCALE 1:2:1

		<small>CONFIDENTIAL AND PROPRIETARY INFORMATION. THIS DOCUMENT CONTAINS CONFIDENTIAL AND PROPRIETARY INFORMATION OF ROCKWELL AUTOMATION, INC. AND MAY NOT BE USED, COPIED OR DISCLOSED TO OTHERS, EXCEPT WITH THE AUTHORIZED WRITTEN PERMISSION OF ROCKWELL AUTOMATION, INC.</small>	
		Sheet 2 Of 2	
PB-200MM ASSEMBLED TO 140G-K-4POLE CB		Size D	Ver 00
Drawn by: UMUNUSW	Date: 10-17-13	1000850747	