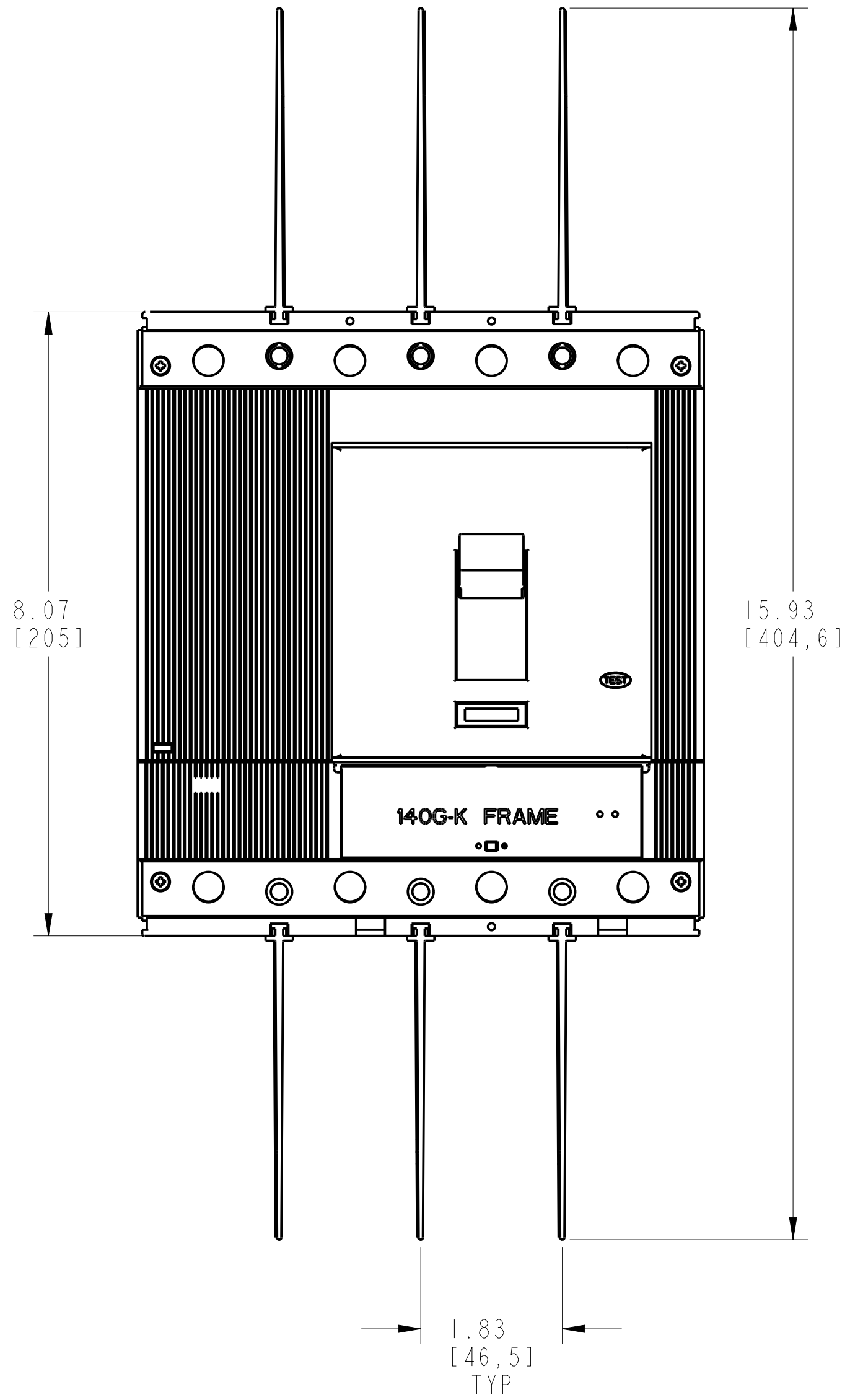
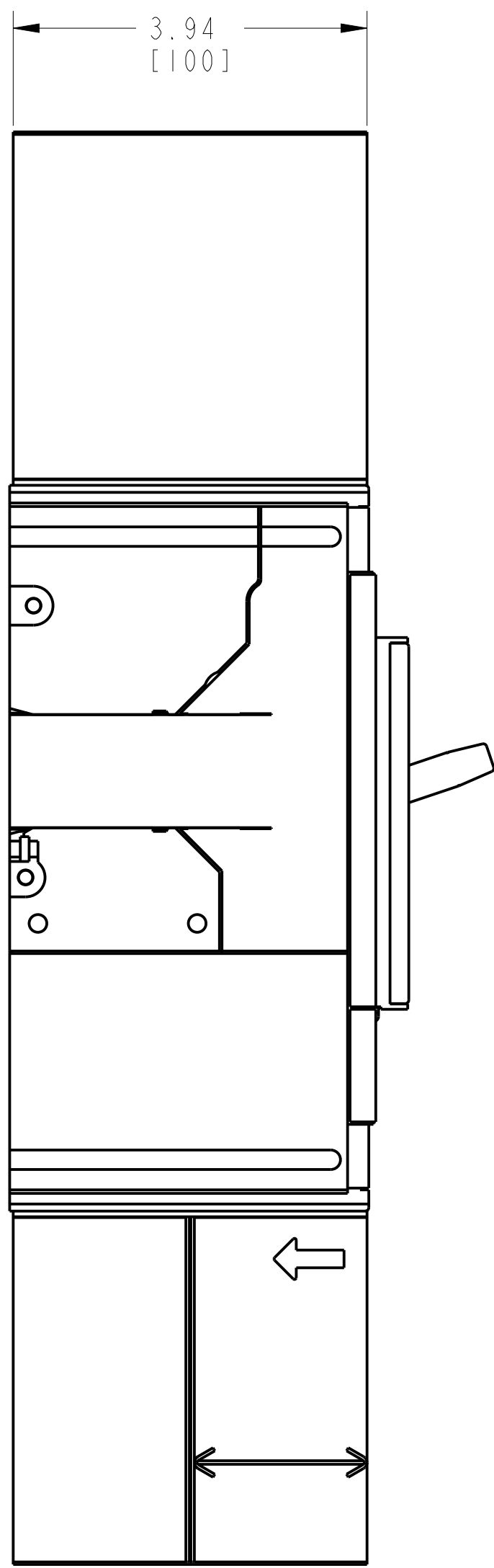
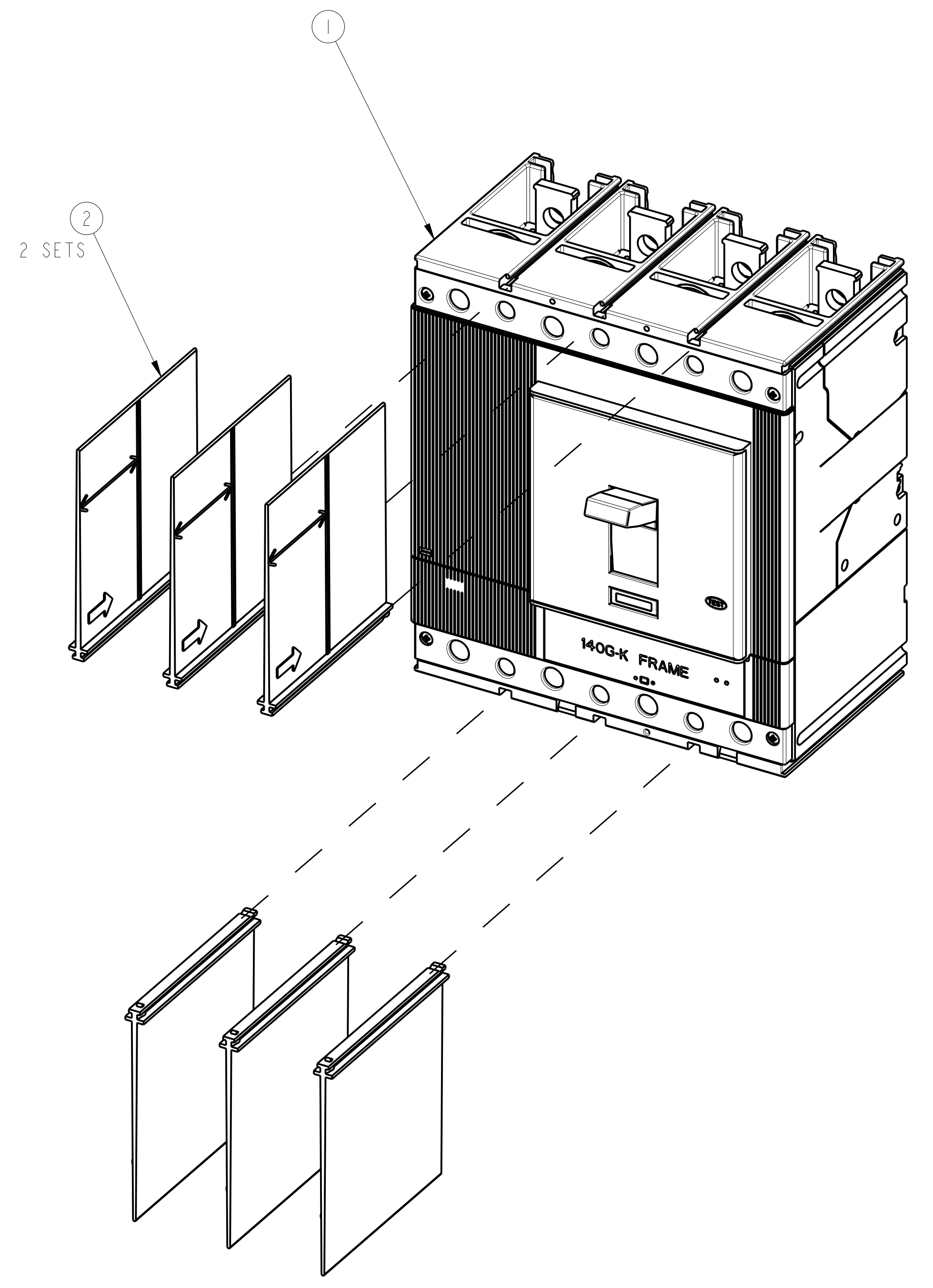
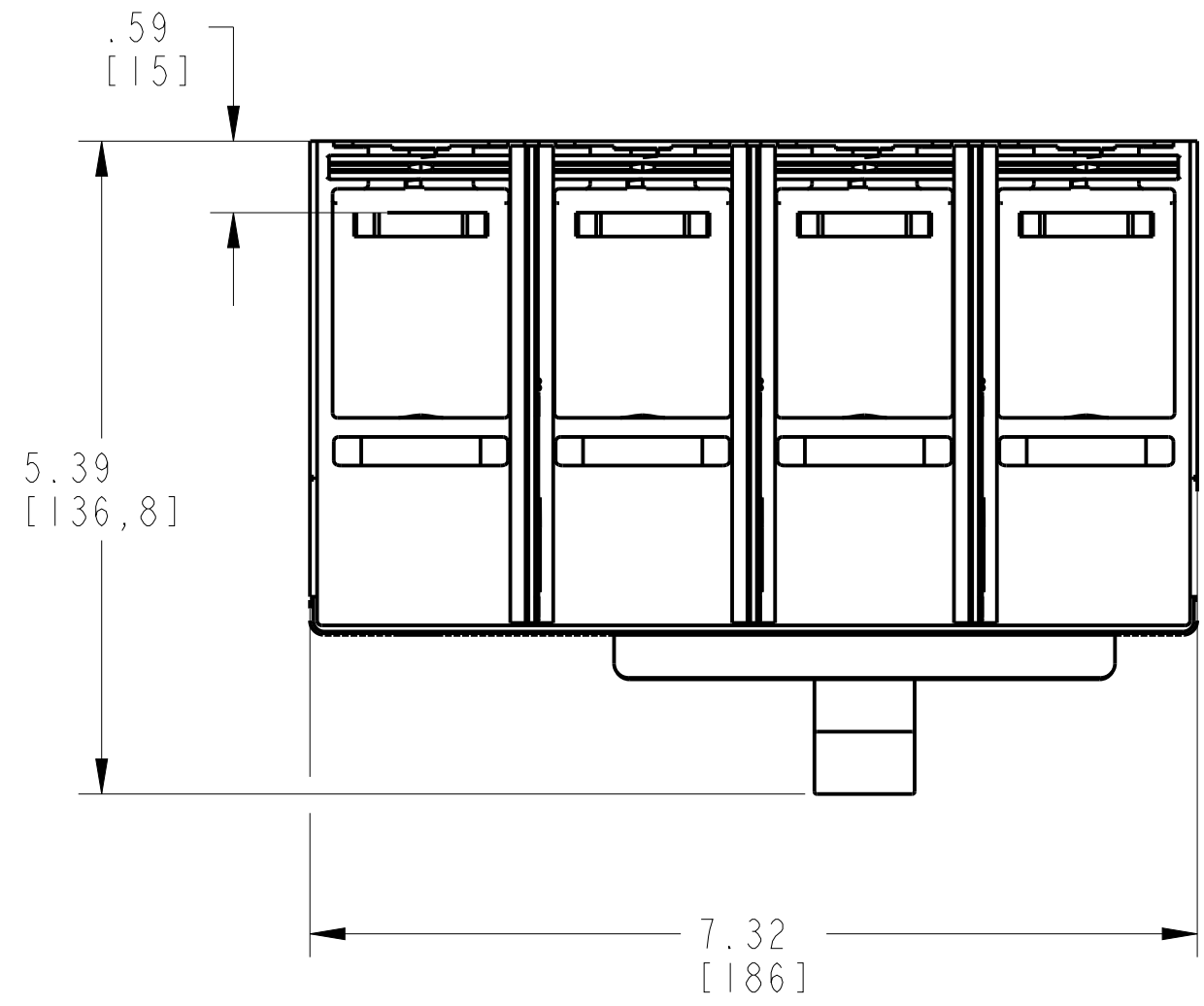


1 2 3 4 5 6 7 8

PHASE BARRIERS LOW 4 POLE ASSEMBLY

ITEM	DESCRIPTION	QTY	AB CAT NUMBER
1	MOLDED CASE CIRCUIT BREAKER	1	140G-K-4P CB
2	PHASE BARRIERS LOW 4 POLE (3 PCS)	2 SETS	140G-K-PB4L

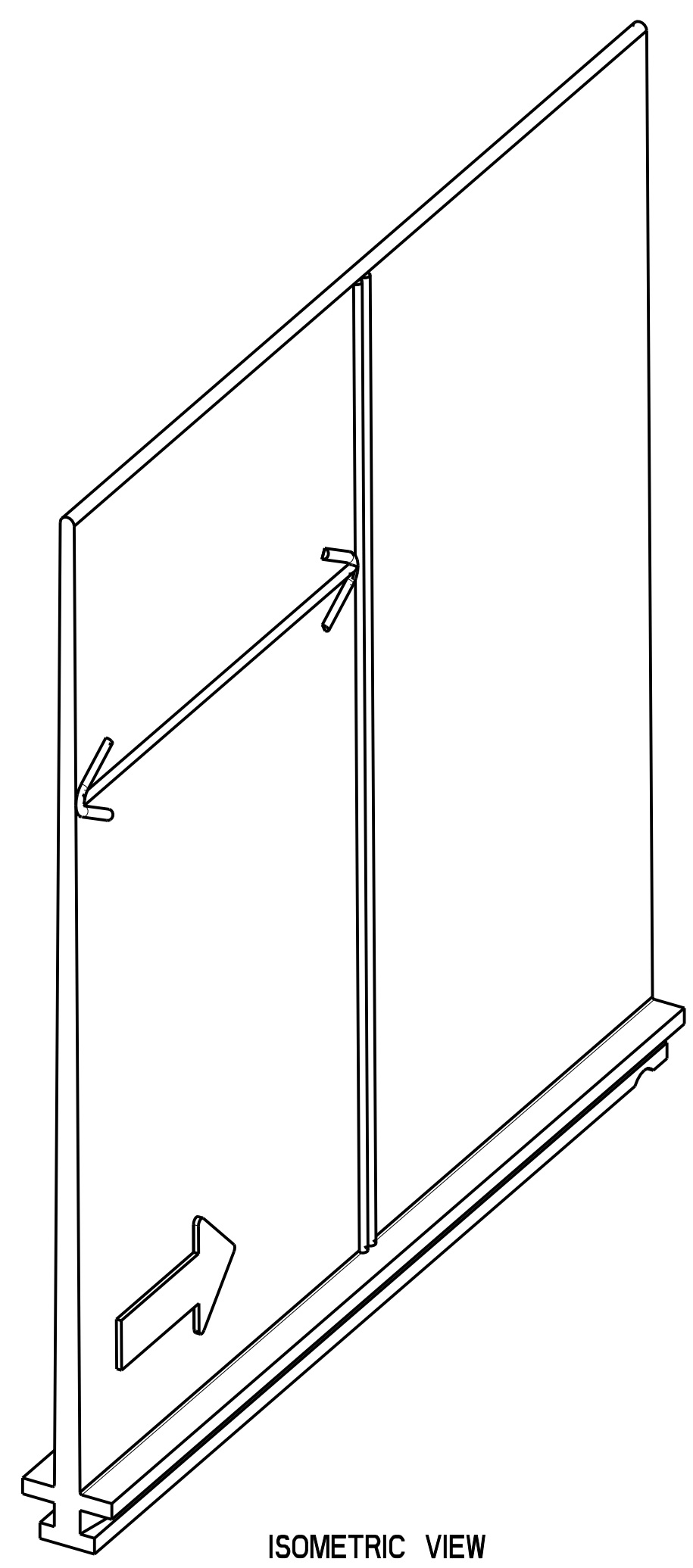
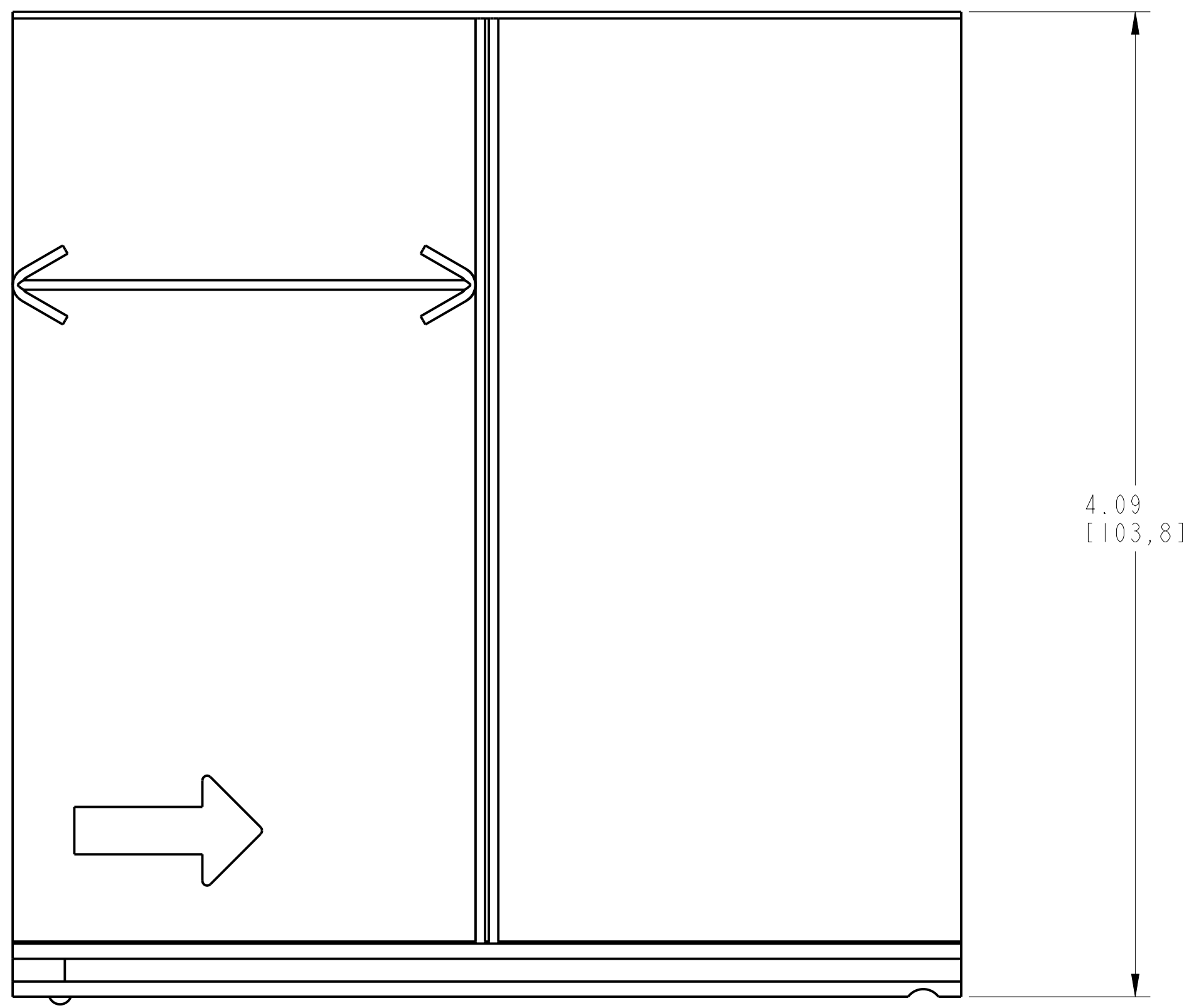
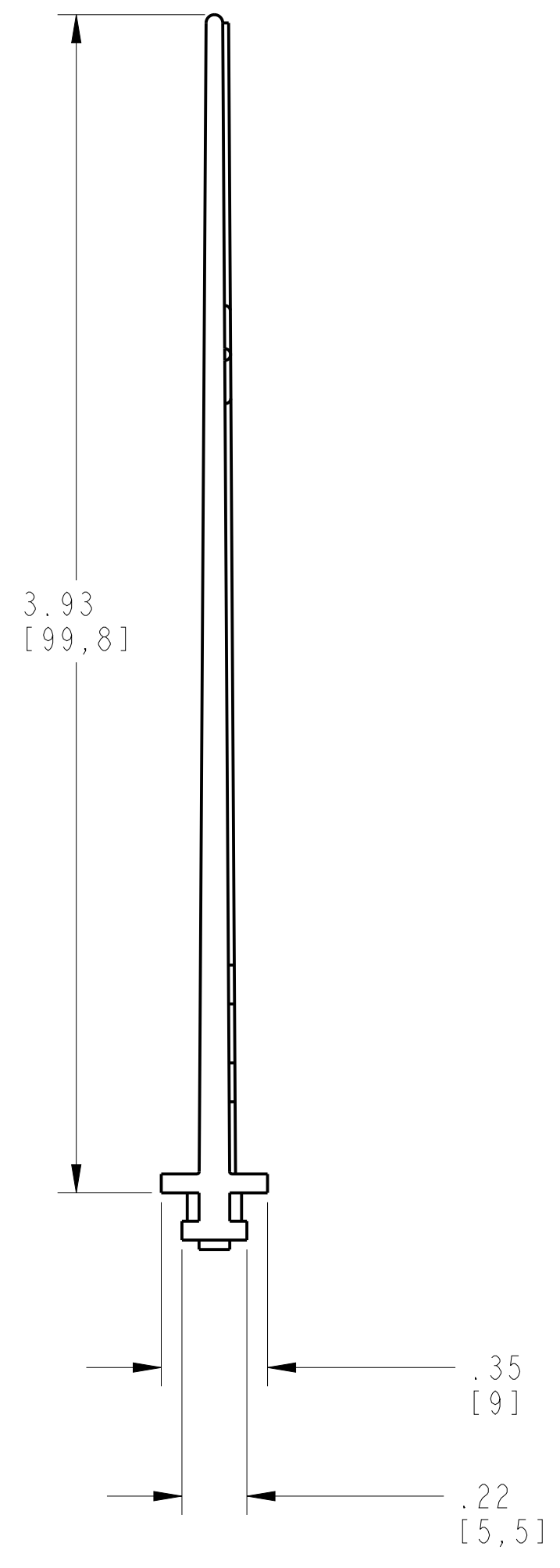


PHASE BARRIERS LOW 4 POLE ASSEMBLED TO 140G-K-4-POLE  
SCALE 0.65:1

		<small>CONFIDENTIAL AND PROPRIETARY INFORMATION. THIS DOCUMENT CONTAINS CONFIDENTIAL AND PROPRIETARY INFORMATION OF ROCKWELL AUTOMATION, INC. AND MAY NOT BE USED, COPIED OR DISCLOSED TO OTHERS, EXCEPT WITH THE AUTHORIZED WRITTEN PERMISSION OF ROCKWELL AUTOMATION, INC.</small>	
		Sheet 1 Of 2	
PB-100MM ASSEMBLED TO 140G-K-4POLE CB		Size D	Ver 00
Drawn by: UMUNUSW	Date: 10-17-13	1000850778	

1 2 3 4 5 6 7 8

A  
B  
C  
D  
E  
F  
G  
H



ITEM 2 : PHASE BARRIERS LOW 4 POLE  
SCALE 2:1

		<small>CONFIDENTIAL AND PROPRIETARY INFORMATION. THIS DOCUMENT CONTAINS CONFIDENTIAL AND PROPRIETARY INFORMATION OF ROCKWELL AUTOMATION, INC. AND MAY NOT BE USED, COPIED OR DISCLOSED TO OTHERS, EXCEPT WITH THE AUTHORIZED WRITTEN PERMISSION OF ROCKWELL AUTOMATION, INC.</small>	
		Sheet 2 Of 2	
PB-100MM ASSEMBLED TO 140G-K-4POLE CB		Size <b>D</b>	Ver <b>00</b>
Drawn by: UMUNUSW		Date: 10-17-13	

1000850778