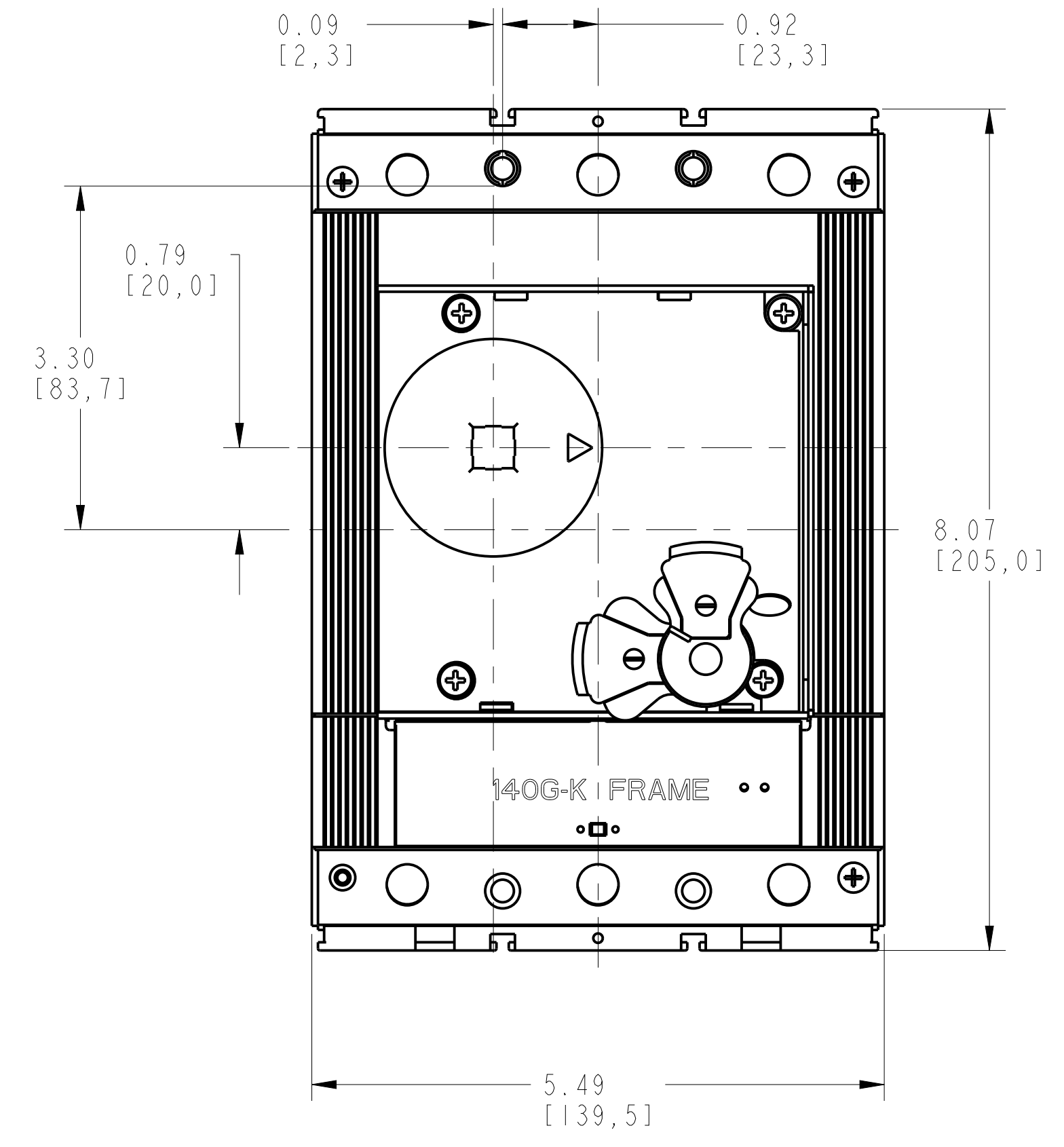
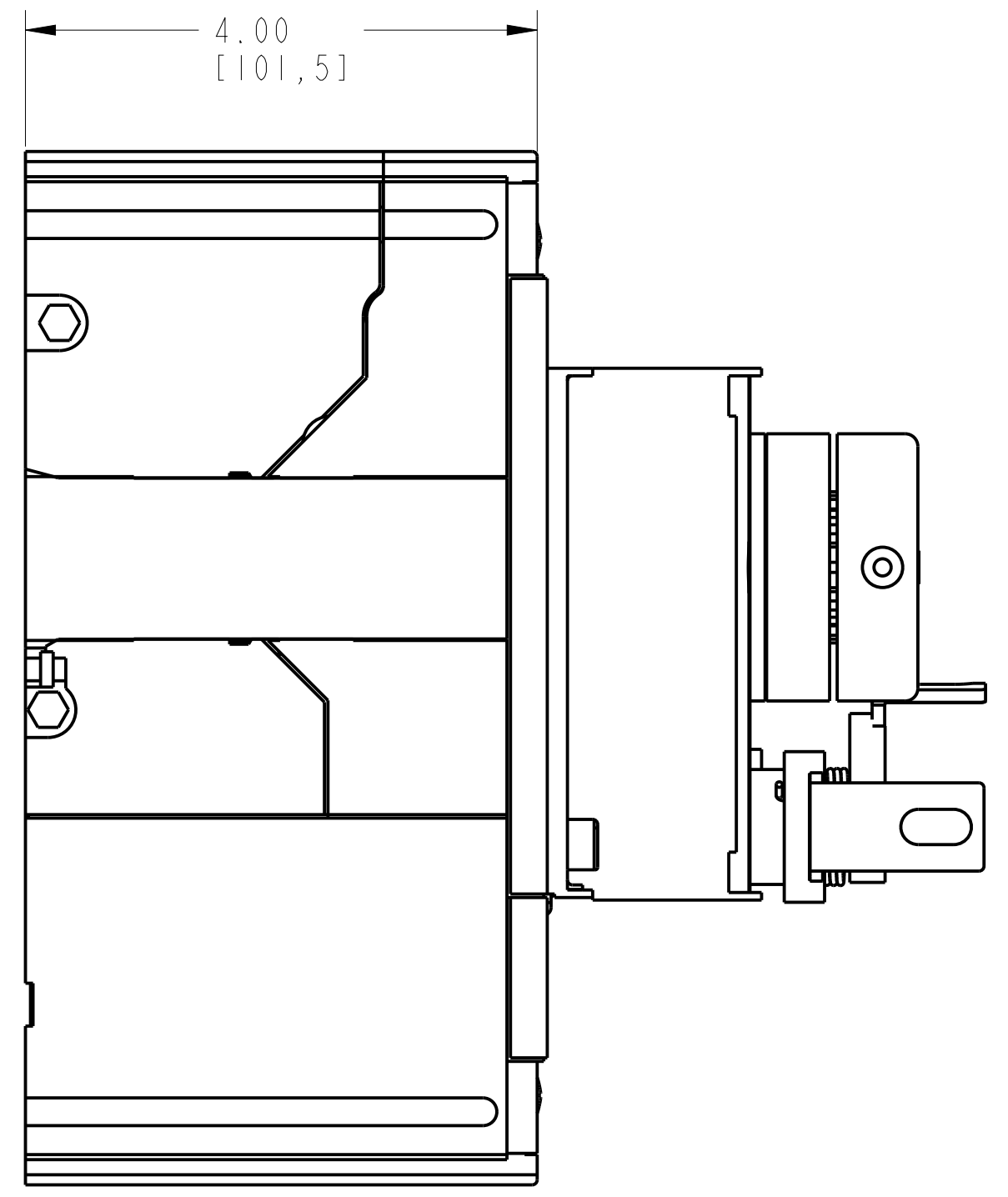
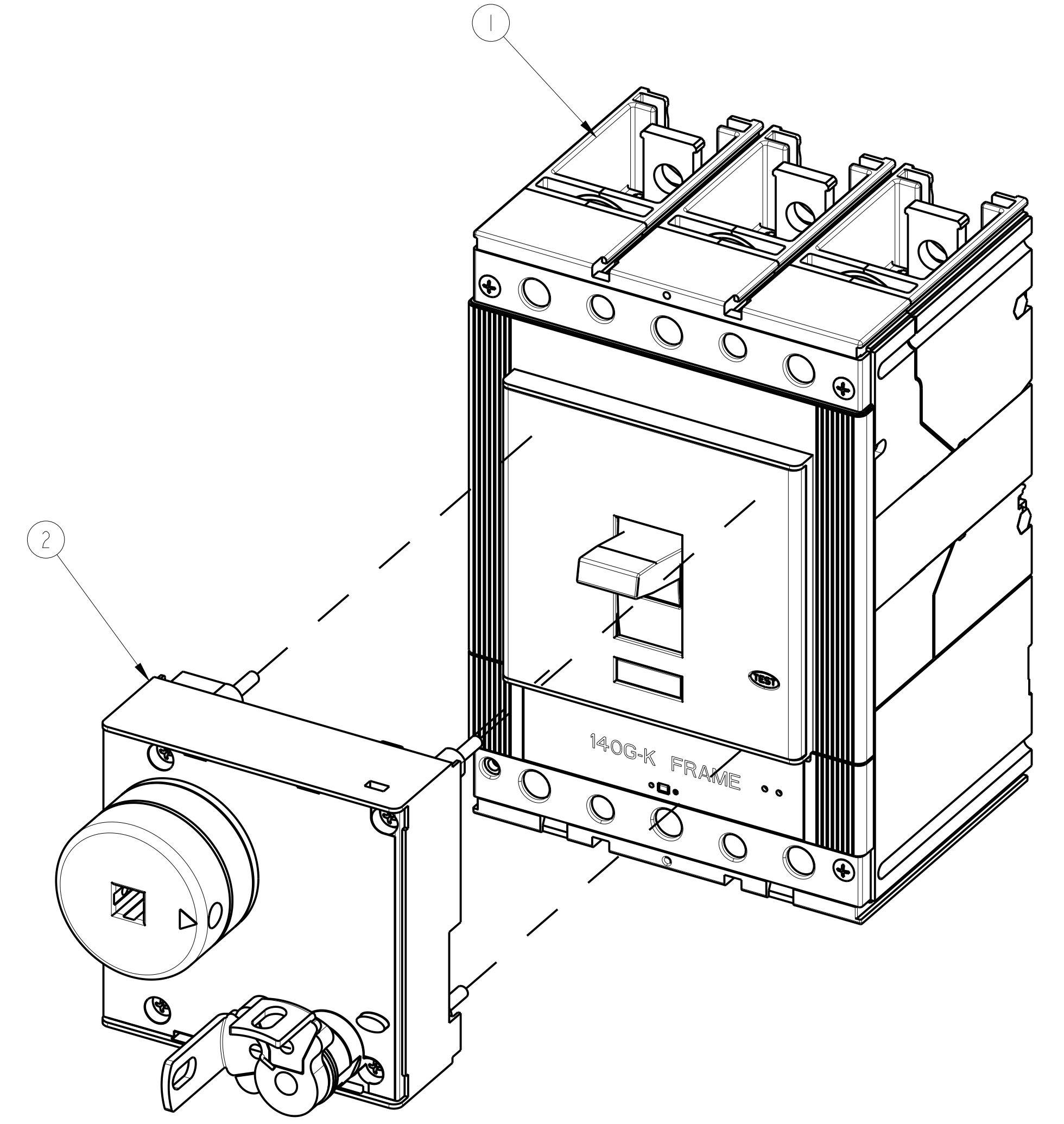
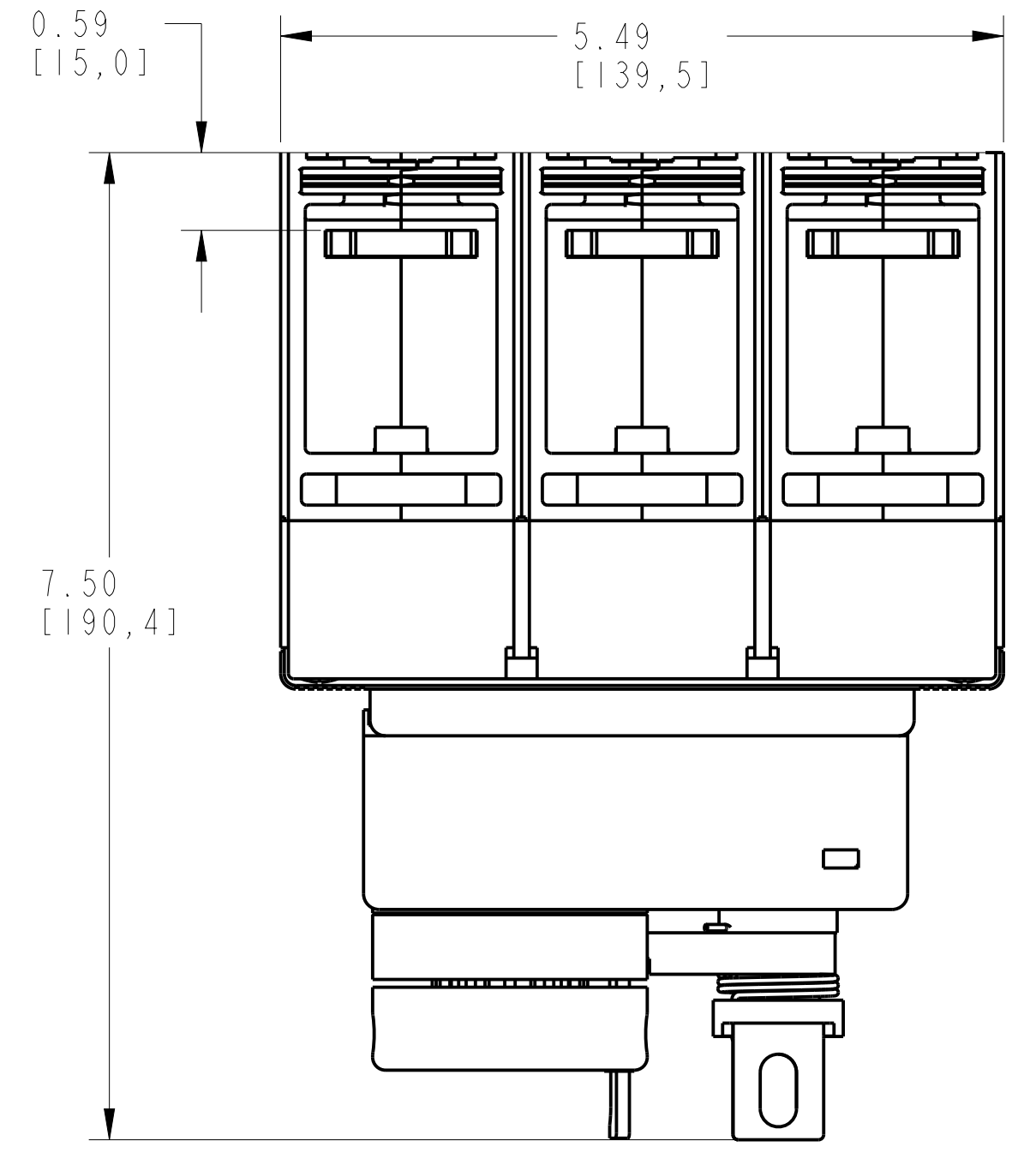


DIRECT ROTARY MECH BLACK ASSEMBLY

ITEM	DESCRIPTION	QTY	AB CAT NUMBER
1	MOLDED CASE CIRCUIT BREAKER-3POLE	1	140G-K-3P CB
2	DIRECT ROTARY MECH BLACK	1	140G-K-RMB

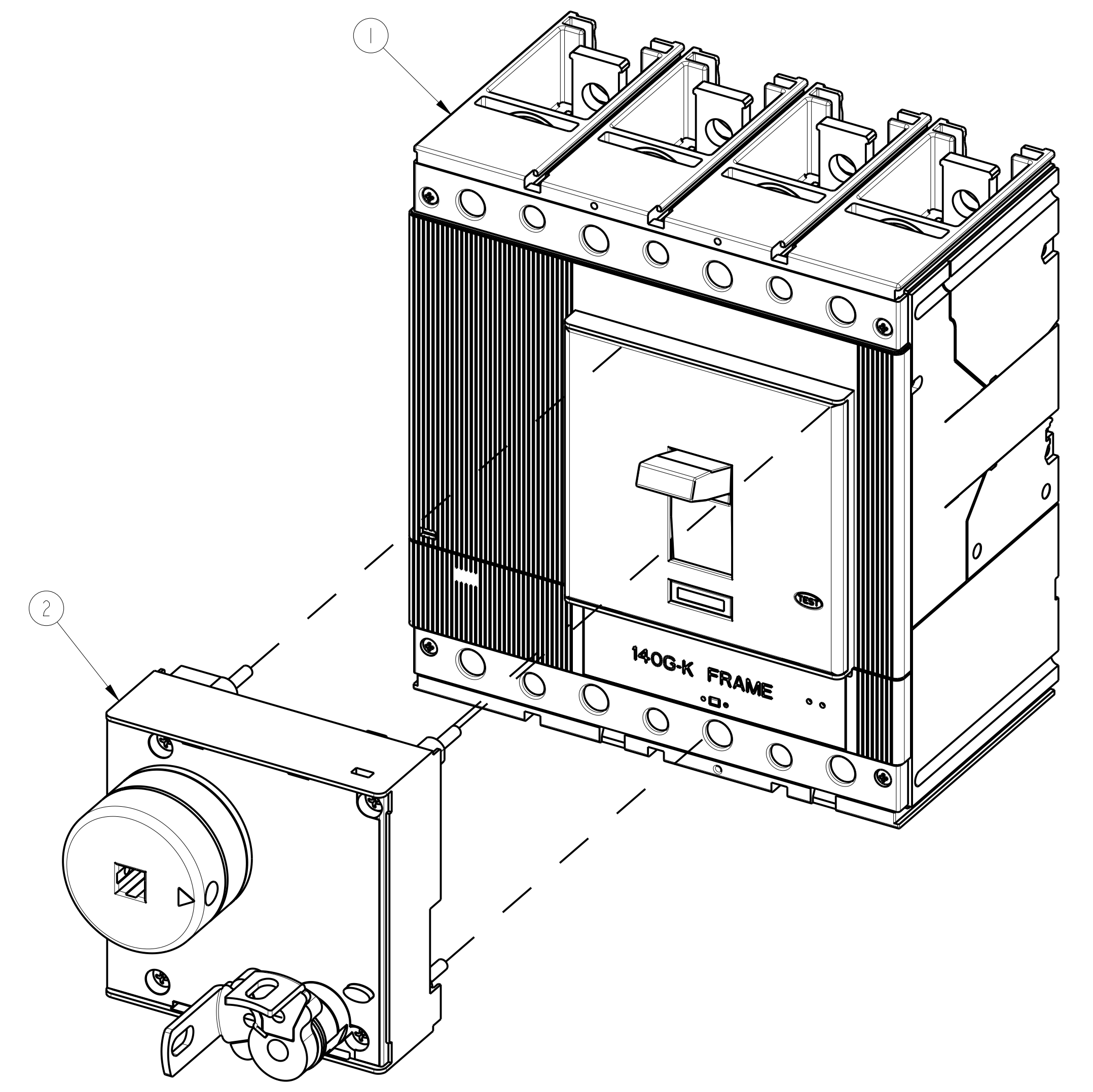
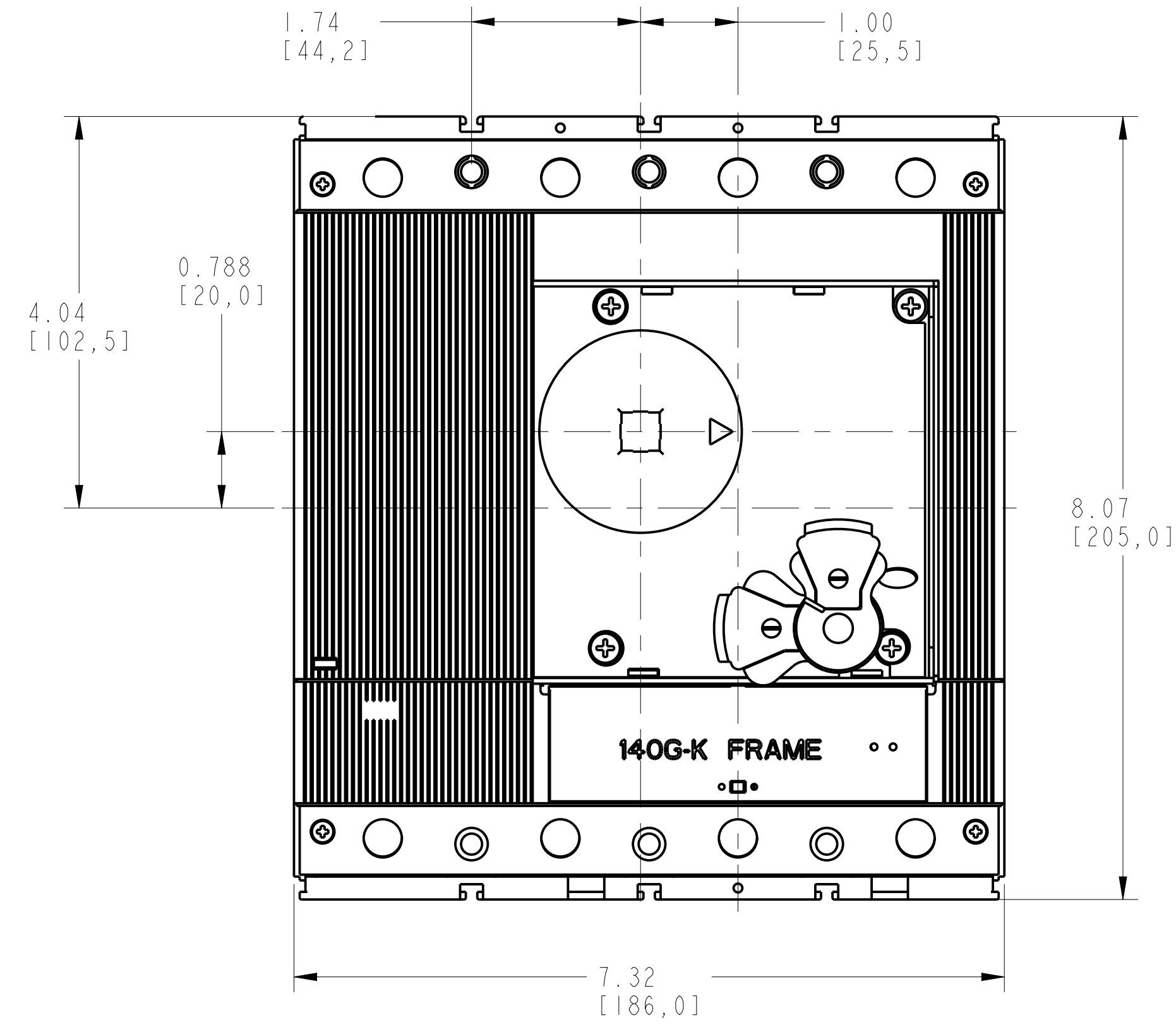
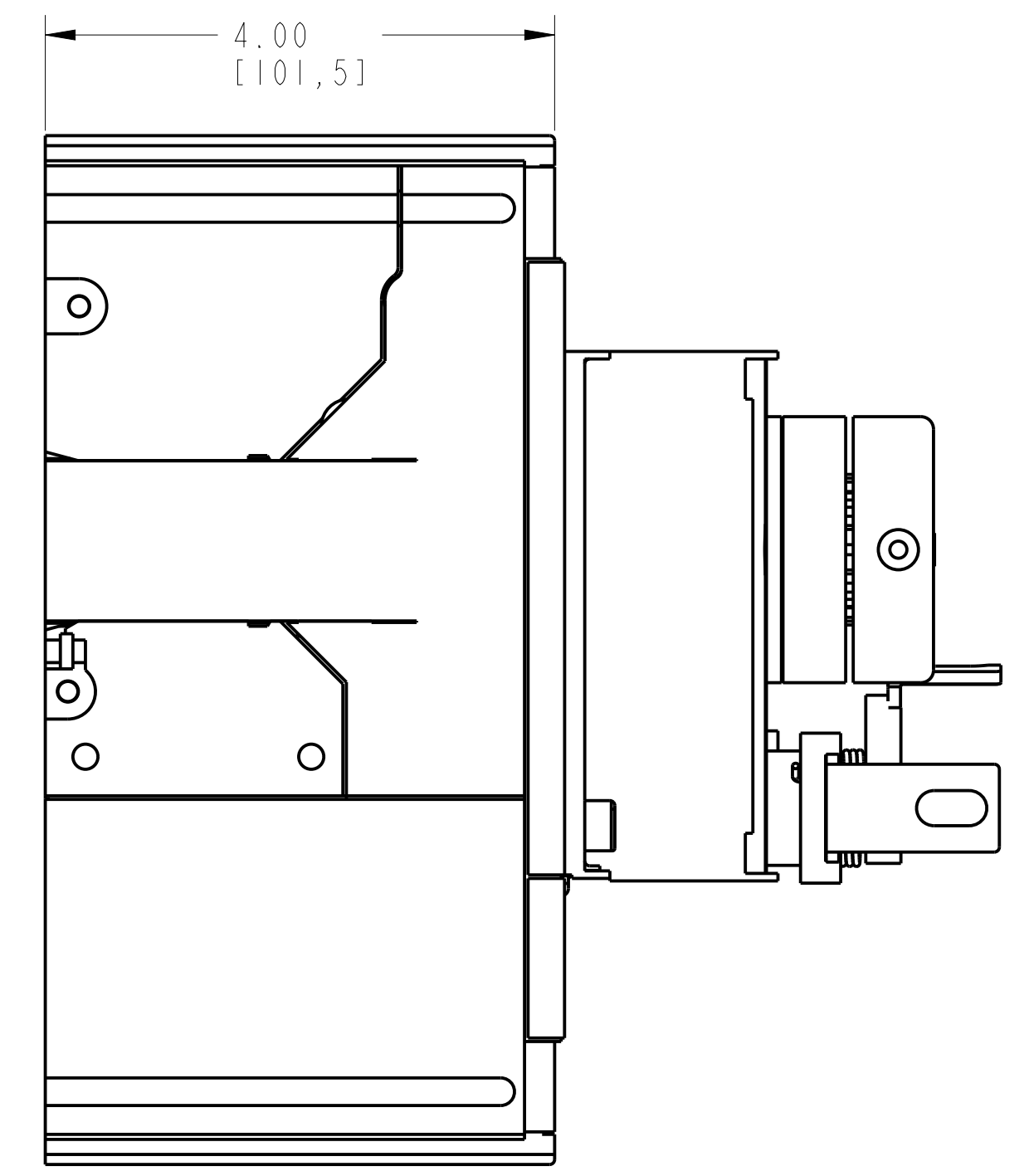
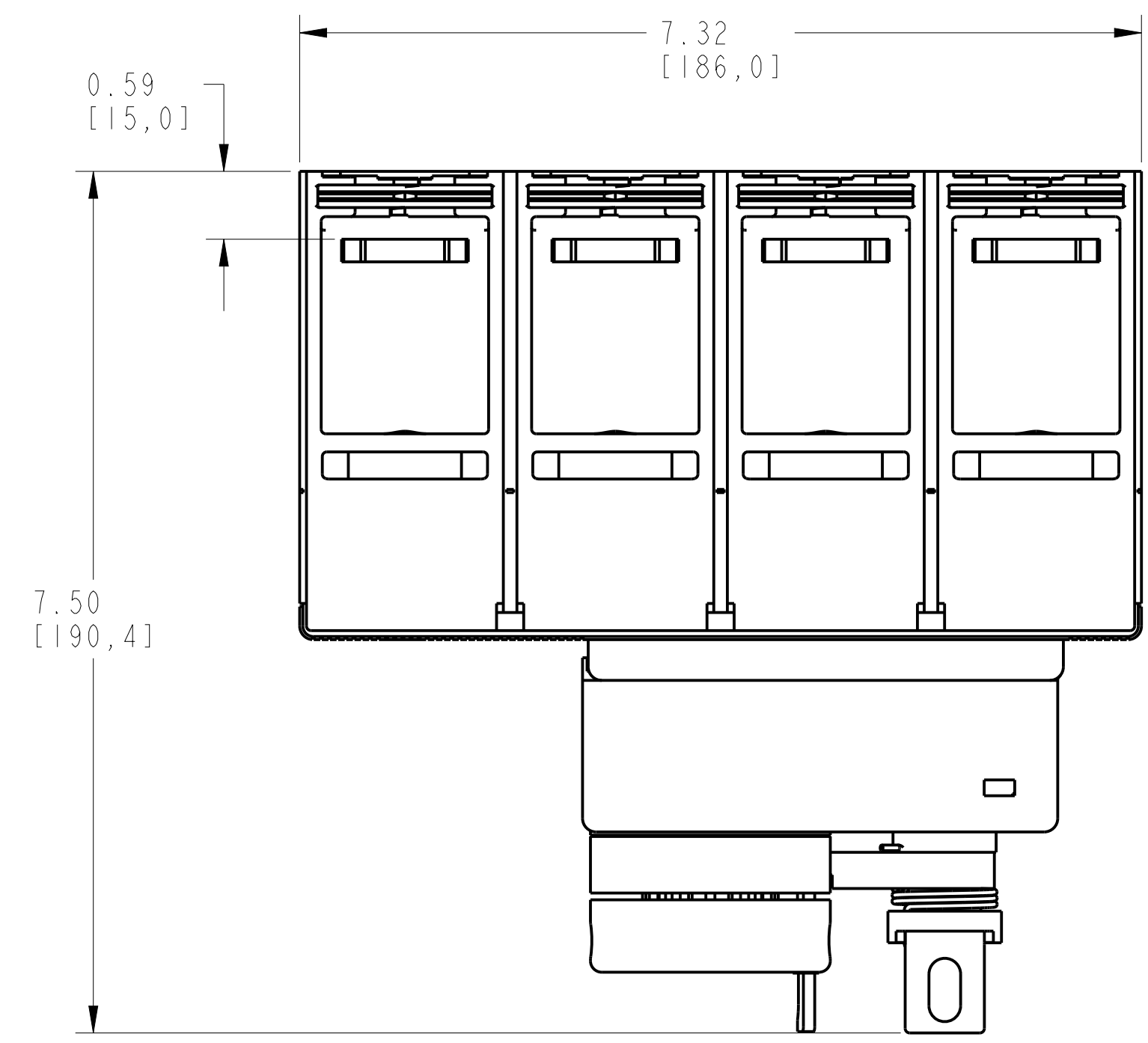


DIRECT ROTARY MECH BLACK ASSEMBLED TO 140G-K-3POLE
SCALE 0.8 :1

		<small>CONFIDENTIAL AND PROPRIETARY INFORMATION. THIS DOCUMENT CONTAINS CONFIDENTIAL AND PROPRIETARY INFORMATION OF ROCKWELL AUTOMATION, INC. AND MAY NOT BE USED, COPIED OR DISCLOSED TO OTHERS, EXCEPT WITH THE AUTHORIZED WRITTEN PERMISSION OF ROCKWELL AUTOMATION, INC.</small>	
		Sheet 1 Of 3	Ver
RMB ASSEMBLED TO 140G-K-3P & 4P CB		D	10000911593
Drawn by:	Date: 12-06-13		

DIRECT ROTARY MECH BLACK ASSEMBLY

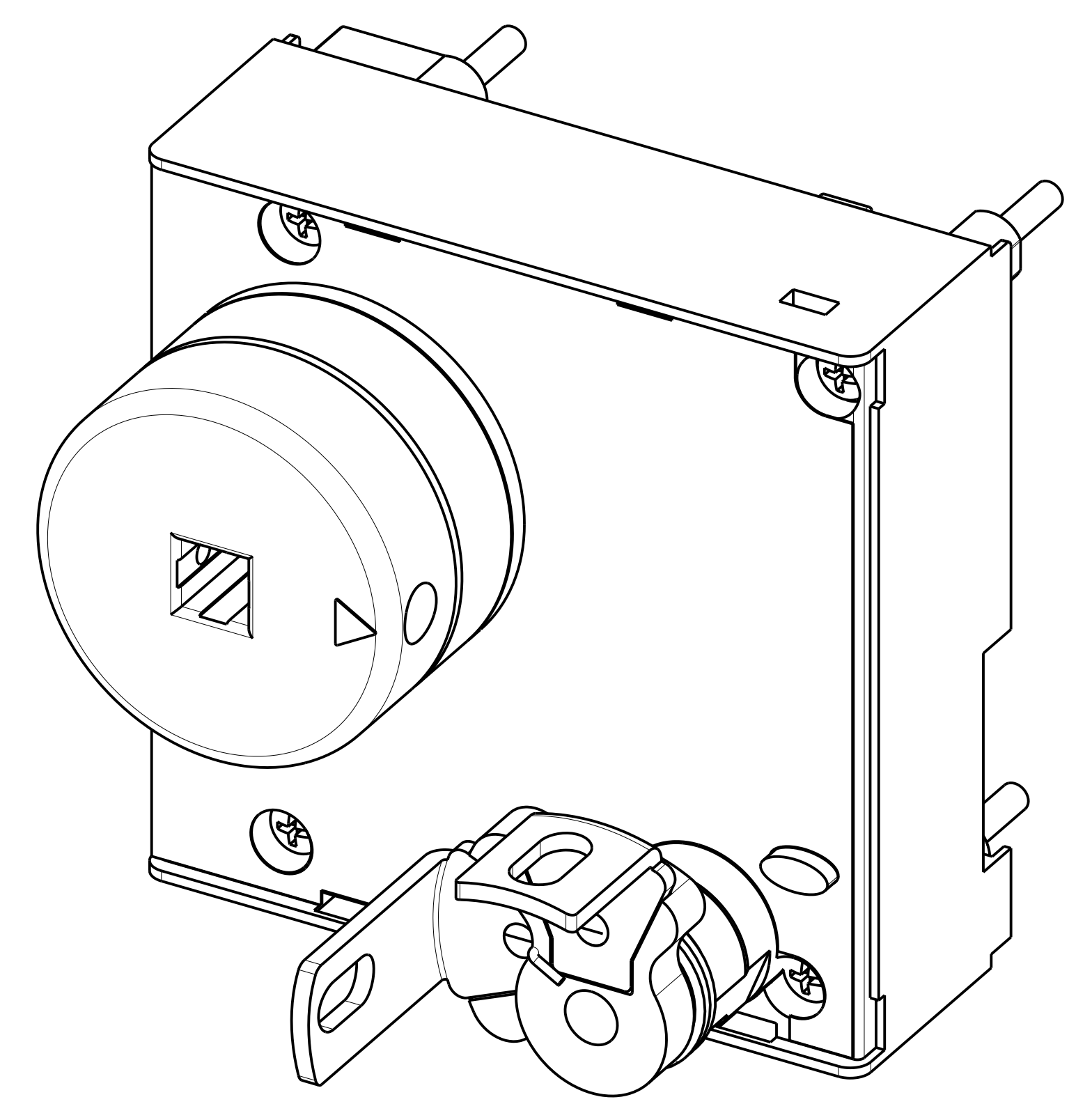
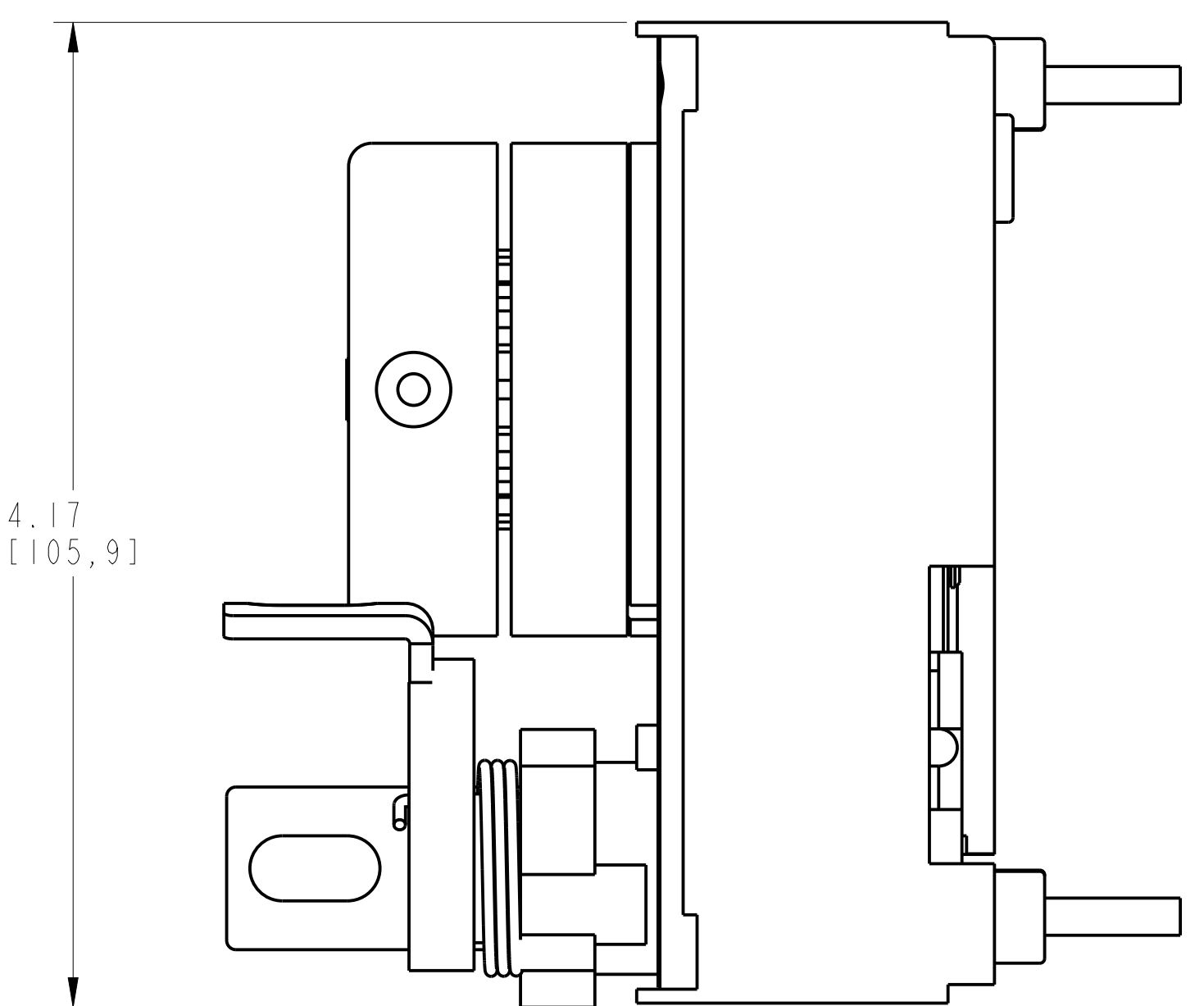
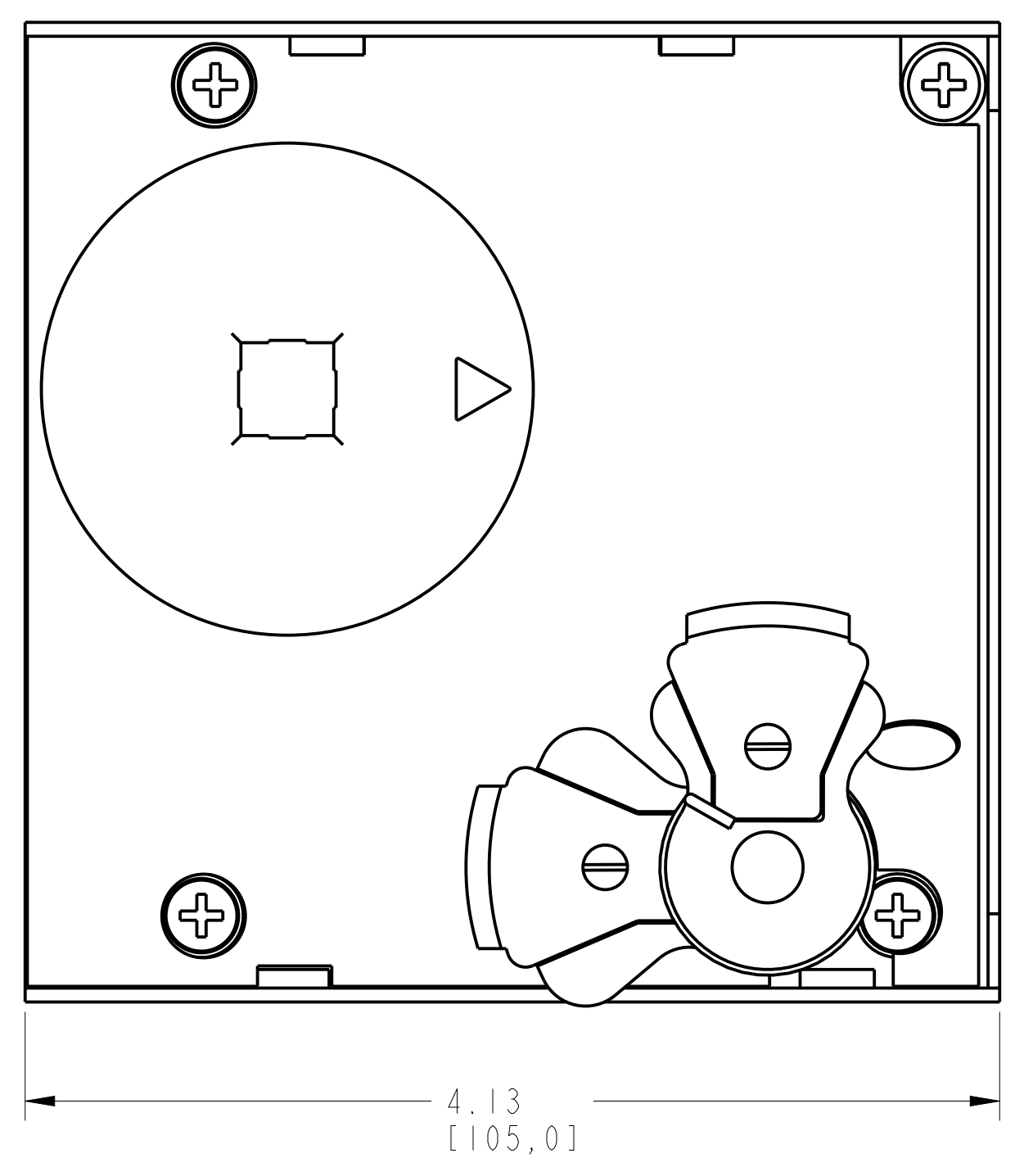
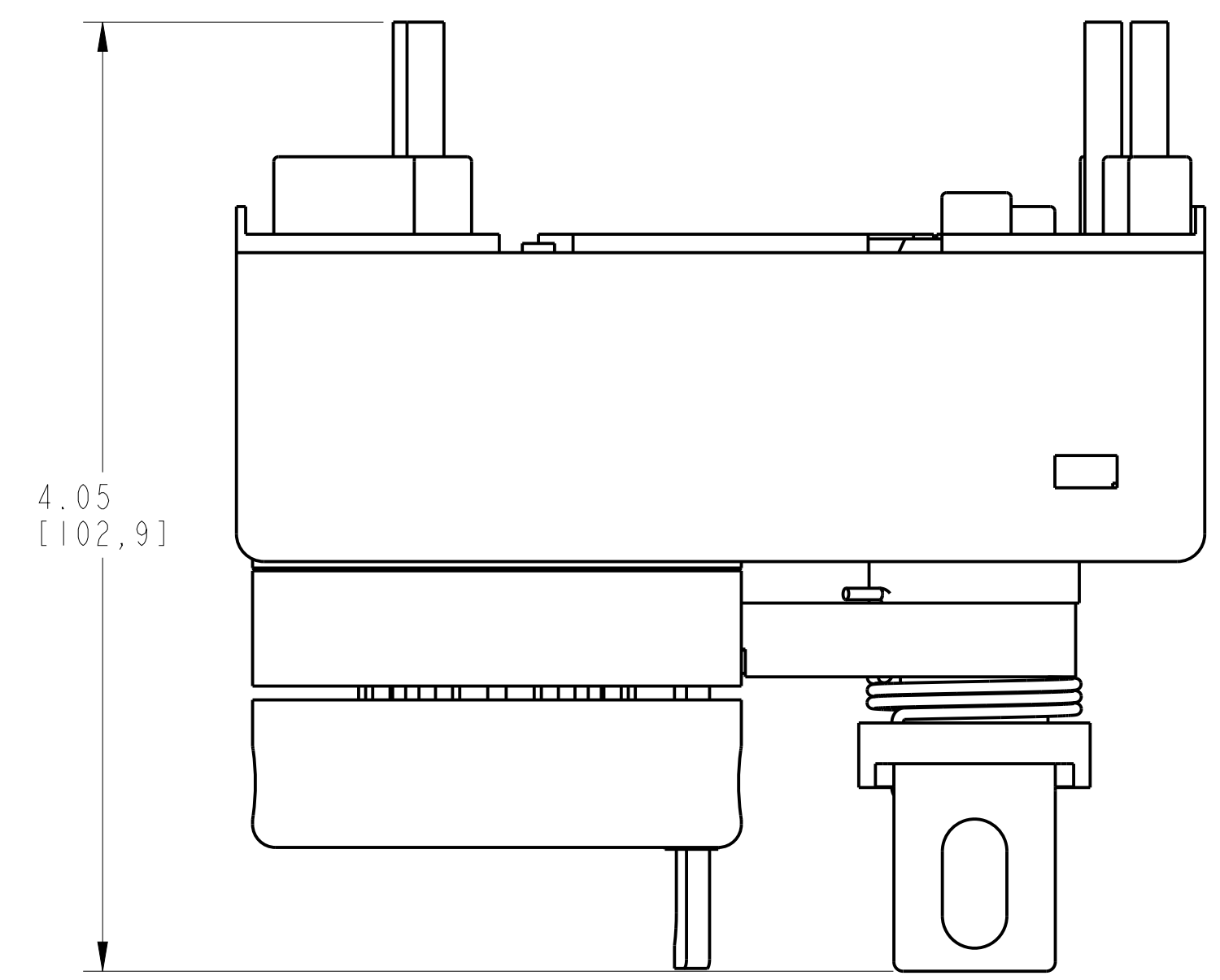
ITEM	DESCRIPTION	QTY	AB CAT NUMBER
1	MOLDED CASE CIRCUIT BREAKER-4POLE	1	140G-K-4P CB
2	DIRECT ROTARY MECH BLACK	1	140G-K-RMB



DIRECT ROTARY MECH BLACK ASSEMBLED TO 140G-K-4-POLE

SCALE 0.8 : 1

		<small>CONFIDENTIAL AND PROPRIETARY INFORMATION. THIS DOCUMENT CONTAINS CONFIDENTIAL AND PROPRIETARY INFORMATION OF ROCKWELL AUTOMATION, INC. AND MAY NOT BE USED, COPIED OR DISCLOSED TO OTHERS, EXCEPT WITH THE AUTHORIZED WRITTEN PERMISSION OF ROCKWELL AUTOMATION, INC.</small>	
		Sheet 2 Of 3	Ver
RMB ASSEMBLED TO 140G-K-3P & 4P CB		D	10000911593
Drawn by:	Date: 12-06-13		



ISOMETRIC VIEW

ITEM 2 : DIRECT ROTARY MECH BLACK
SCALE 1.5 : 1

		<small>CONFIDENTIAL AND PROPRIETARY INFORMATION THIS DOCUMENT CONTAINS CONFIDENTIAL AND PROPRIETARY INFORMATION OF ROCKWELL AUTOMATION, INC. AND MAY NOT BE USED, COPIED OR DISCLOSED TO OTHERS, EXCEPT WITH THE AUTHORIZED WRITTEN PERMISSION OF ROCKWELL AUTOMATION, INC.</small>	
		Sheet 3 Of 3	
RMB ASSEMBLED TO 140G-K-3P & 4P CB		Size D	Ver 00
Drawn by:	Date: 12-06-13	10000911593	