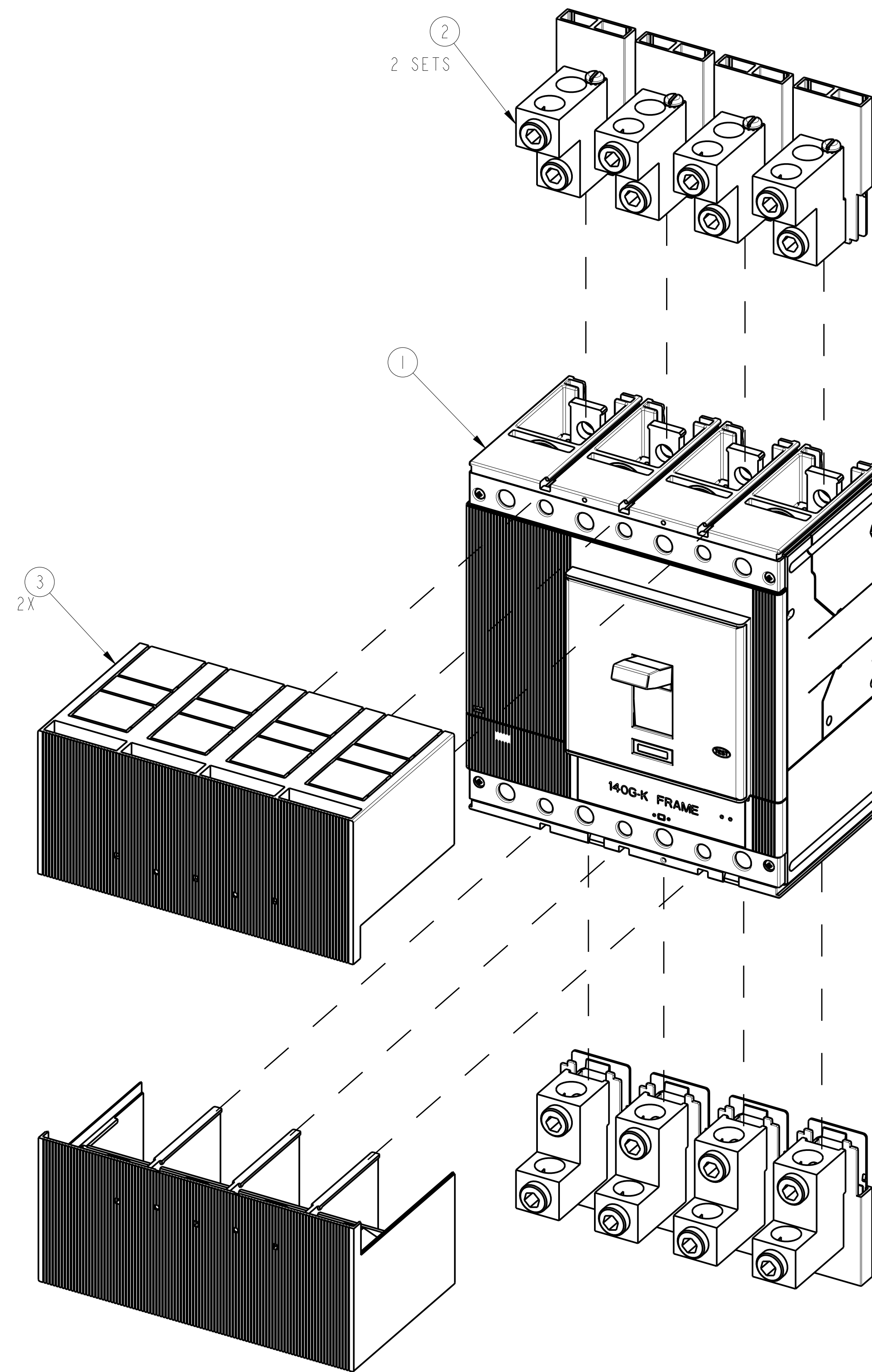
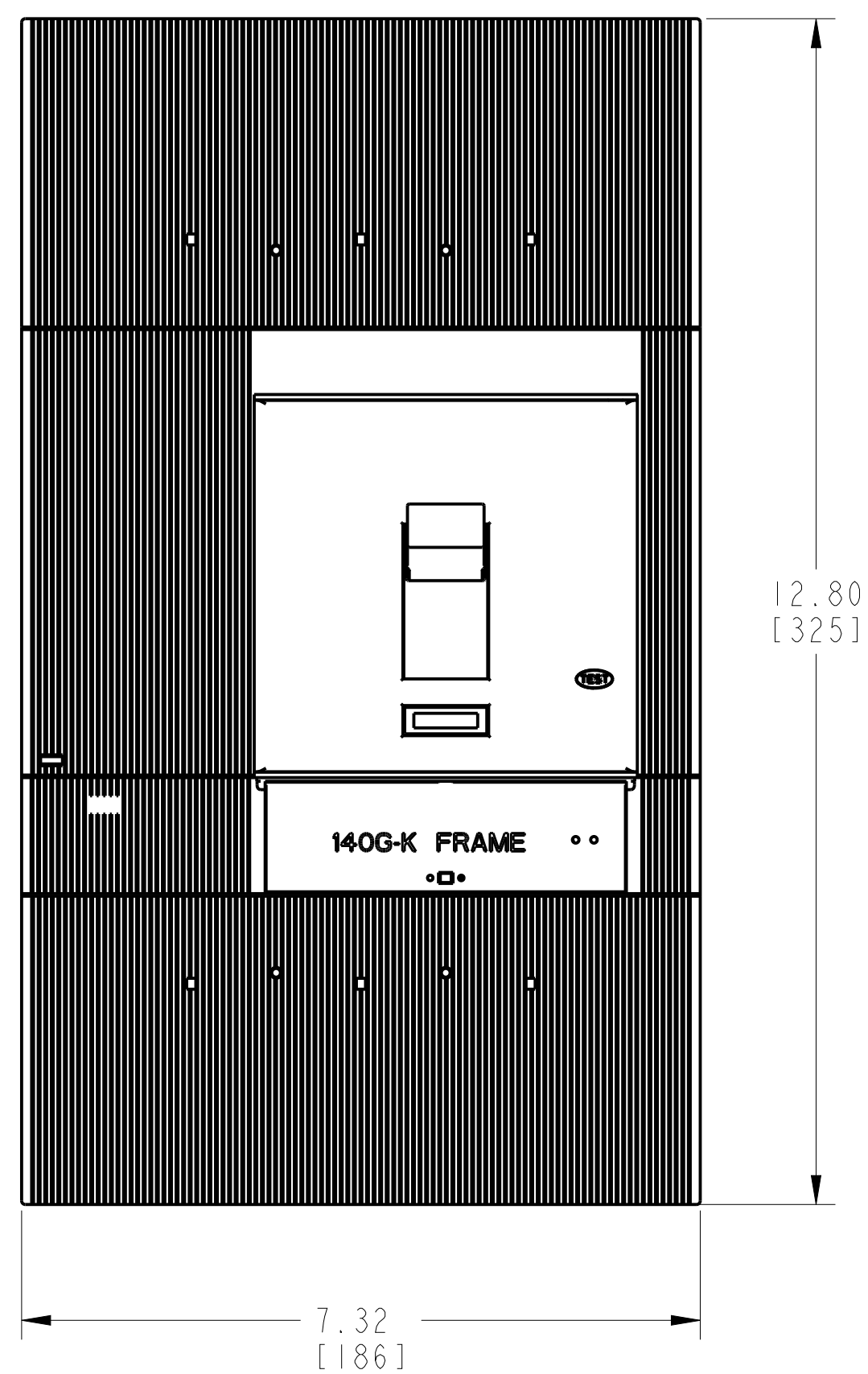
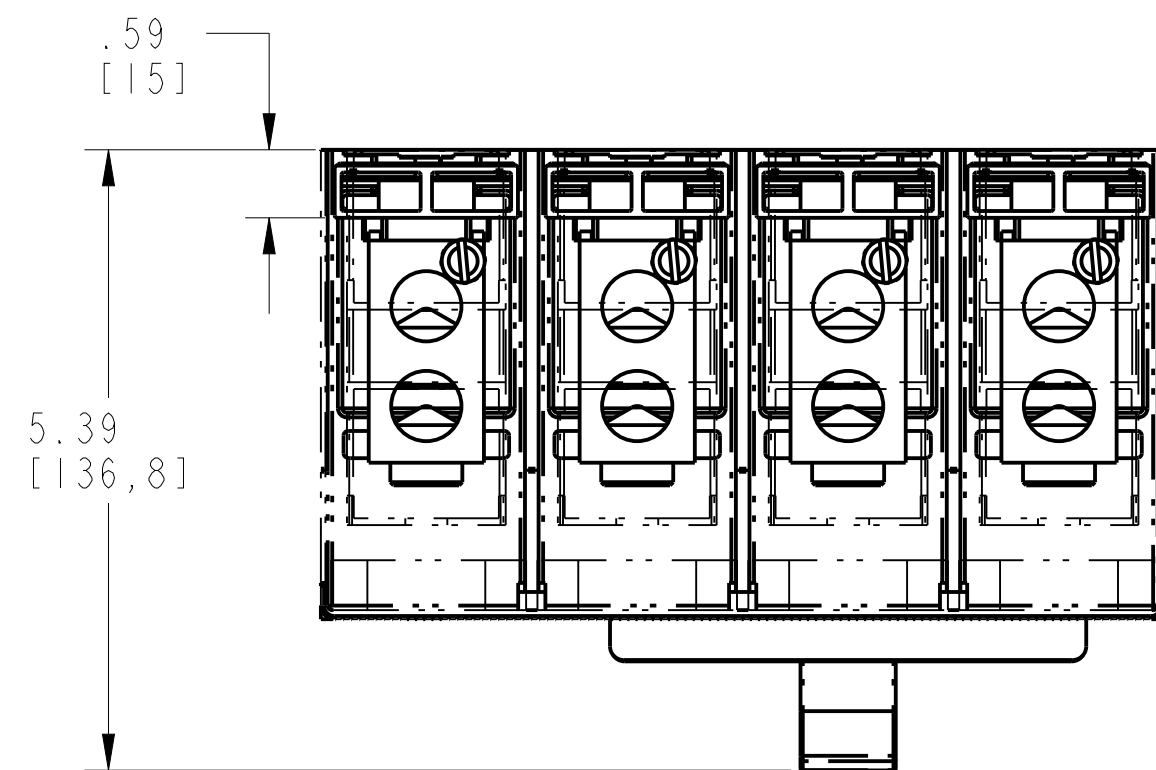
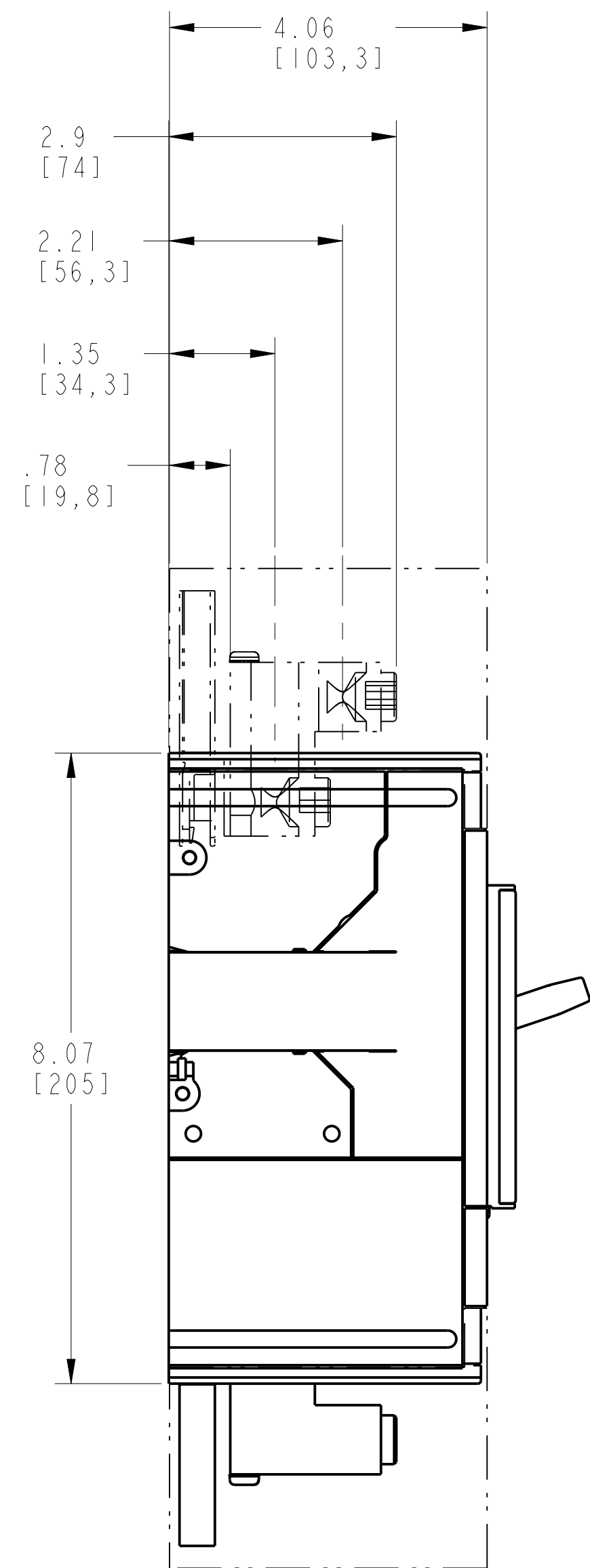
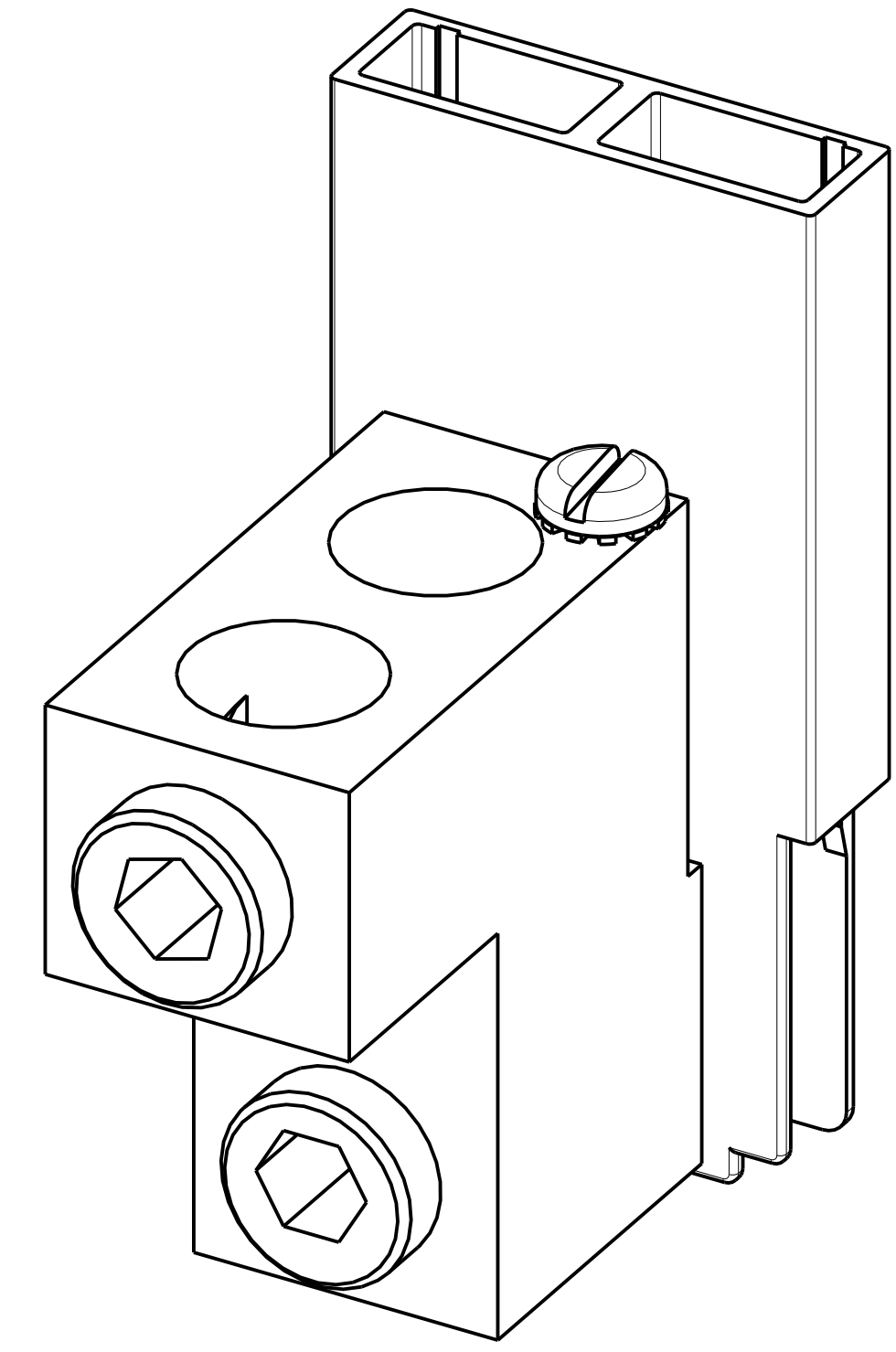
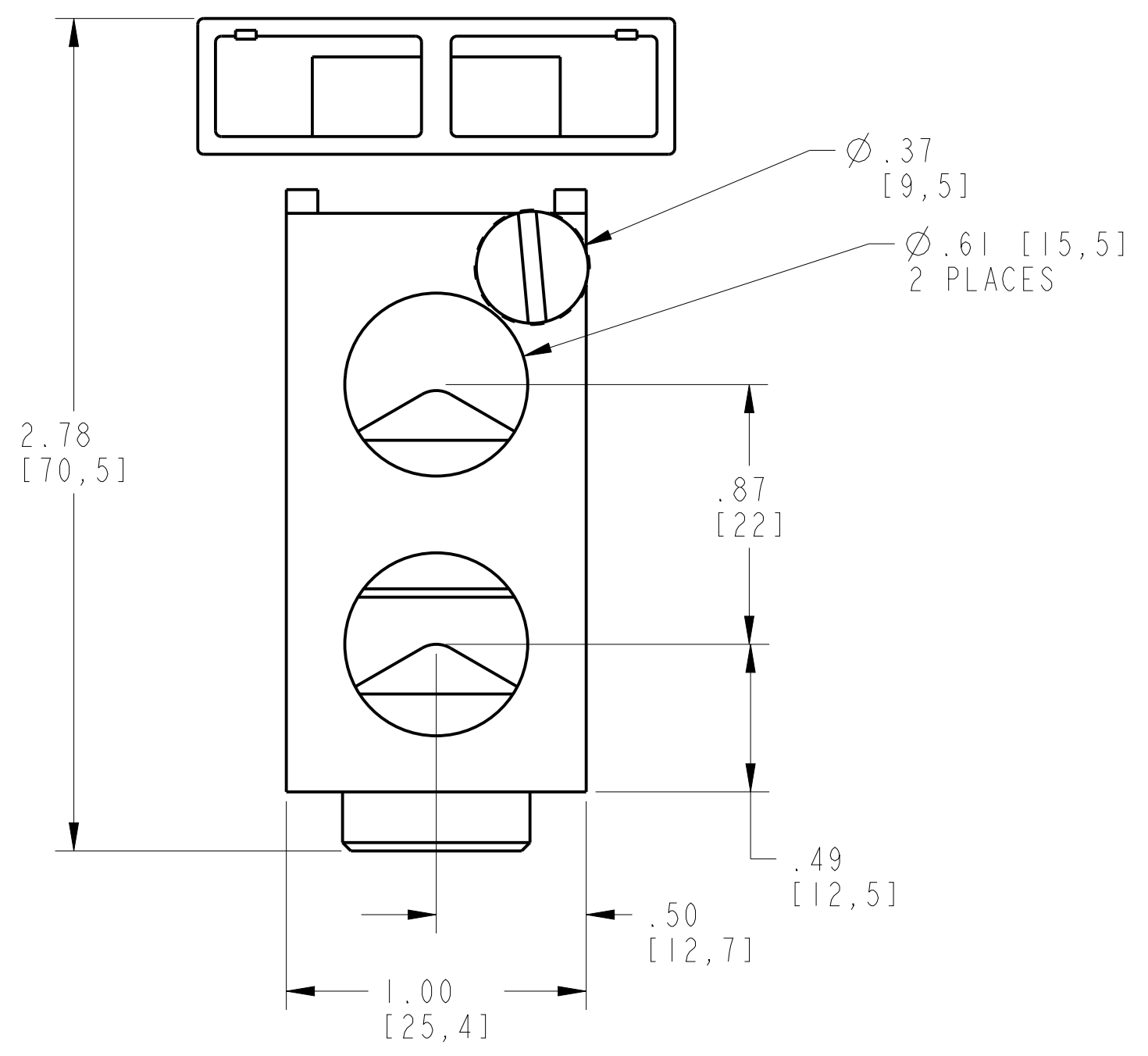


TERMINAL FOR FCCU-AL ASSEMBLY

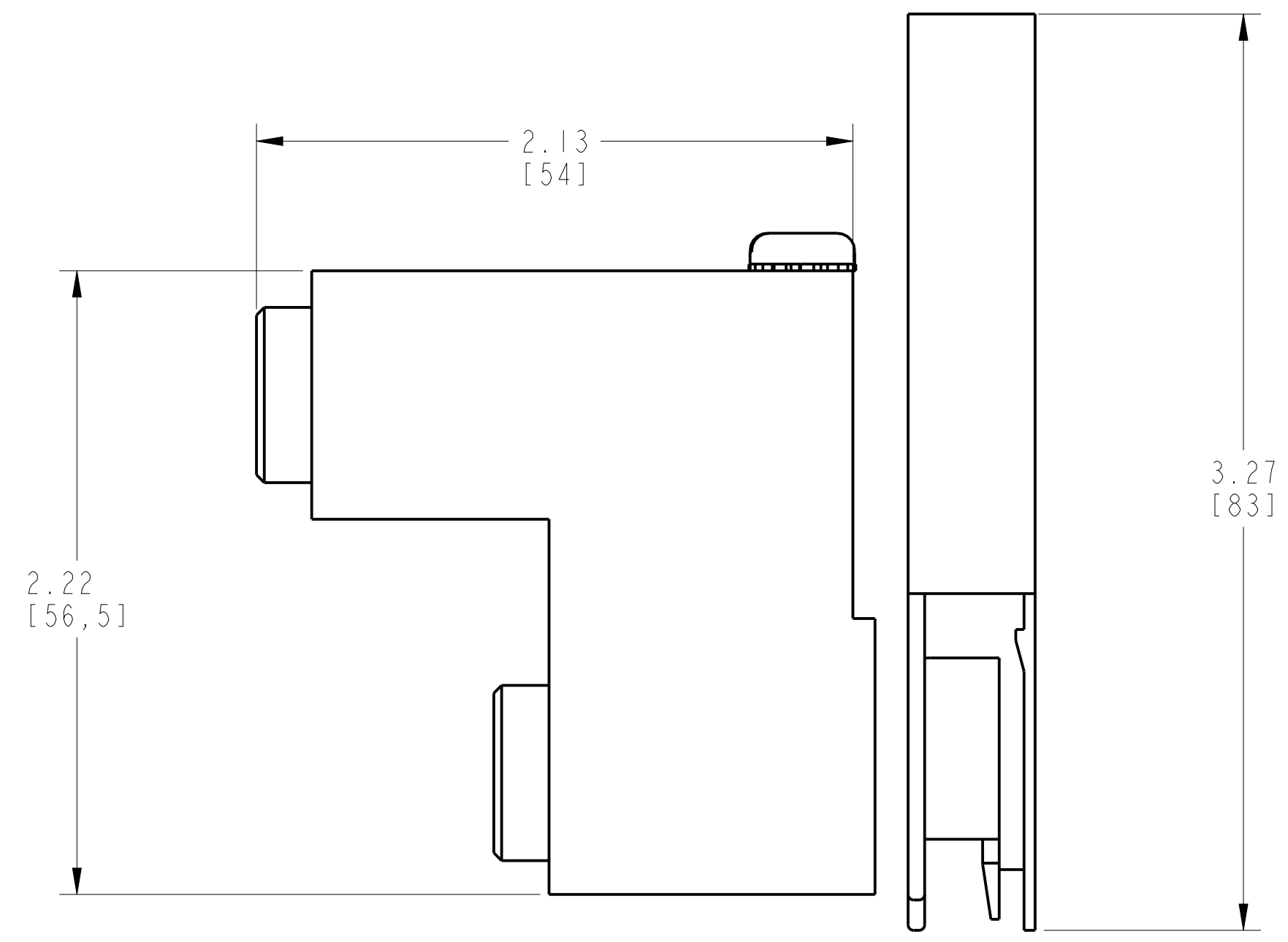
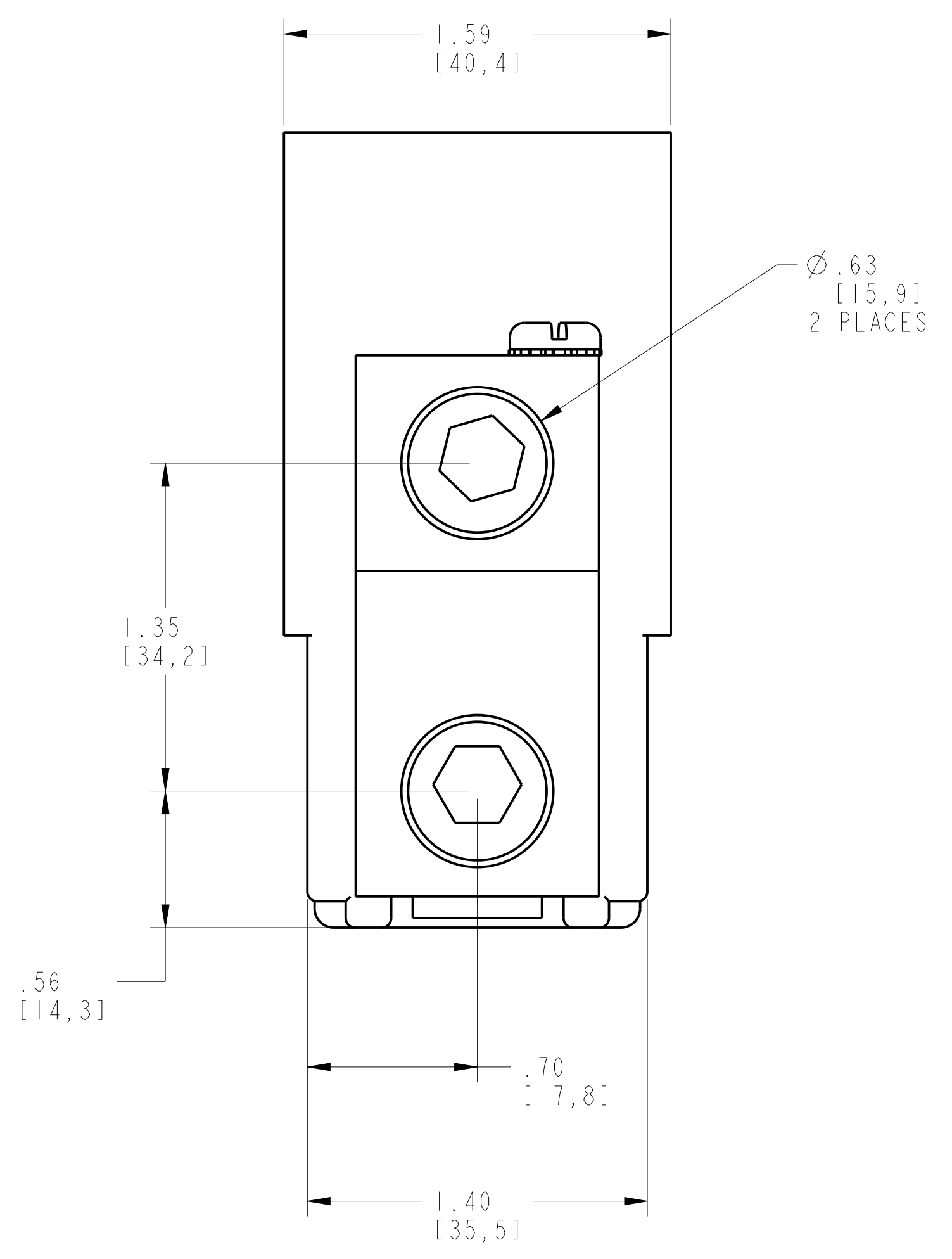
ITEM	DESCRIPTION	QTY	AB CAT NUMBER
1	MOLDED CASE CIRCUIT BREAKER	1	140G-K-4P CB
2	FCCU-AL TERMINAL (4 PCS)	2 SETS	140G-K-TLA24
3	TERMINAL COVER HIGH	2	140G-K-TC4H



TERMINAL FOR FCCU-AL ASSEMBLED TO 140G-K-4-POLE
SCALE 0.6:1



ISOMETRIC VIEW



ITEM 2 : TERMINAL FOR FCCU-AL
SCALE 2:1

		<small>CONFIDENTIAL AND PROPRIETARY INFORMATION. THIS DOCUMENT CONTAINS CONFIDENTIAL AND PROPRIETARY INFORMATION OF ROCKWELL AUTOMATION, INC. AND MAY NOT BE USED, COPIED OR DISCLOSED TO OTHERS, EXCEPT WITH THE AUTHORIZED WRITTEN PERMISSION OF ROCKWELL AUTOMATION, INC.</small>	
		Sheet 2 Of 2	
FCCU-AL ASSEMBLED TO 140G-K-4P CB		Size D	Ver 00
Drawn by: UMUNUSW	Date: 10-28-13	1000850909	