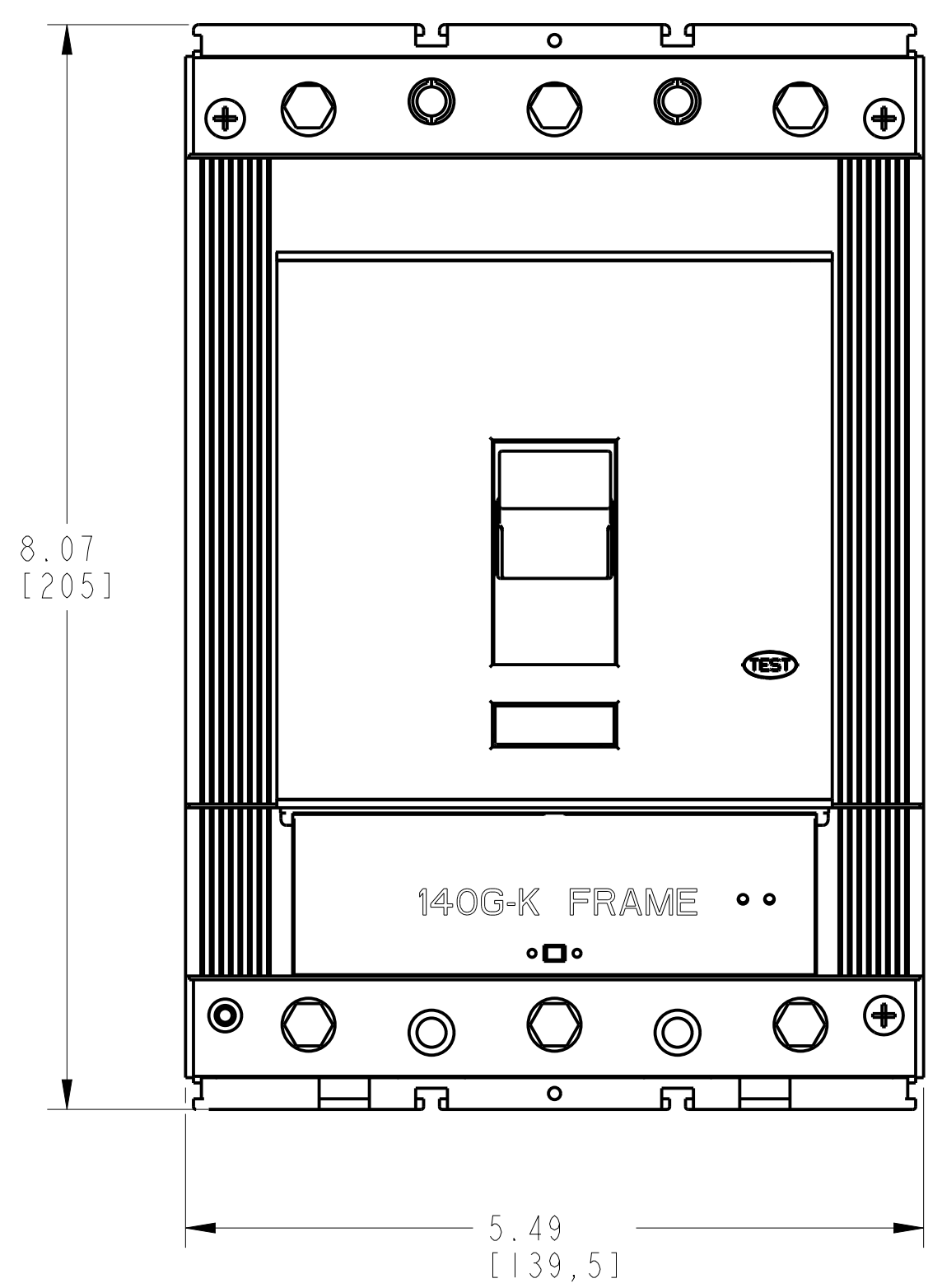
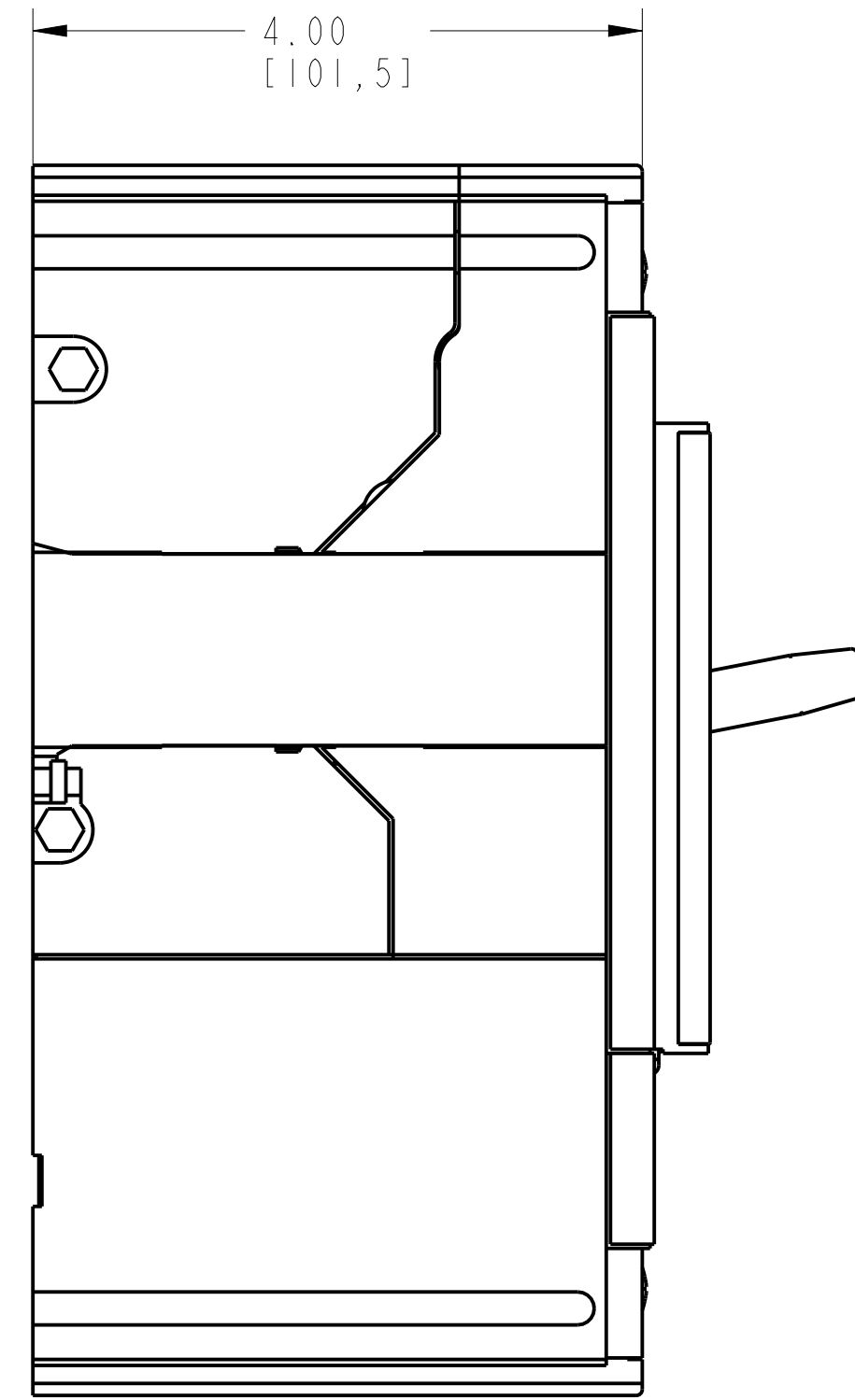
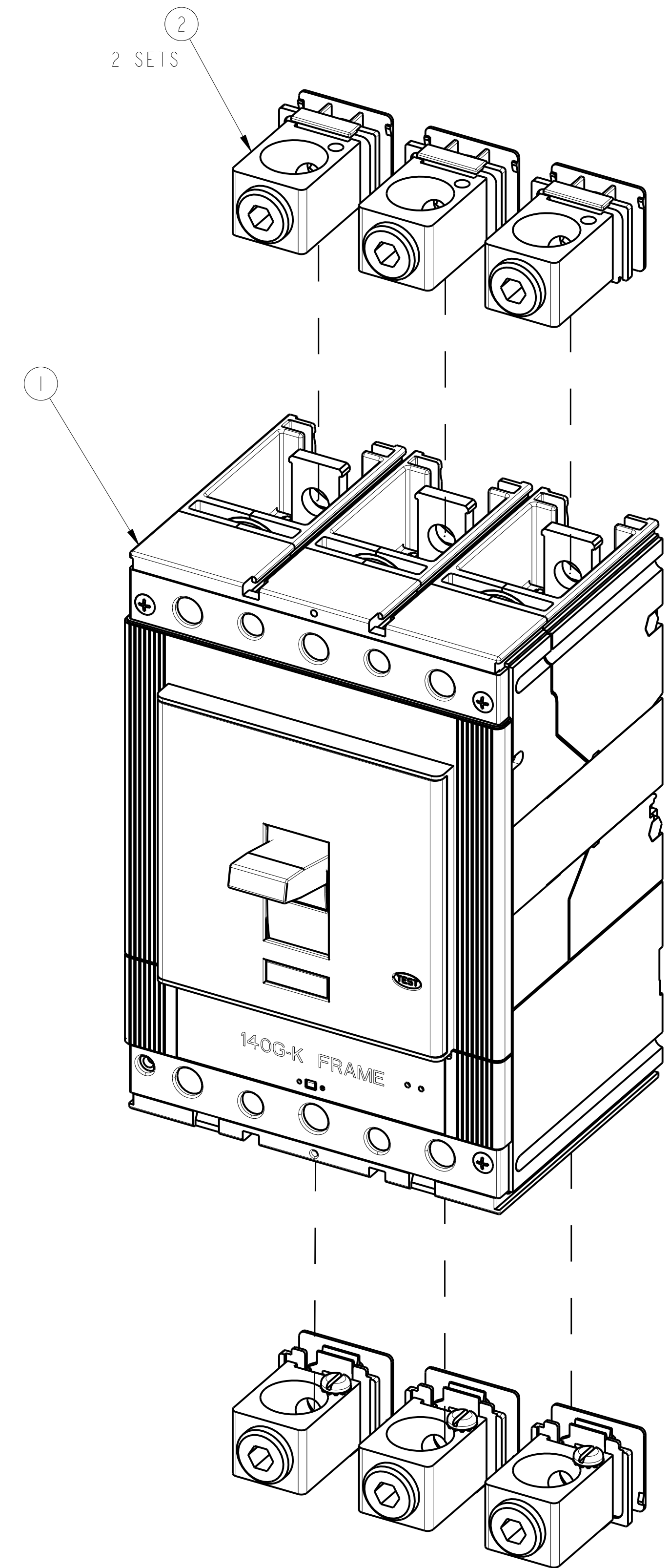
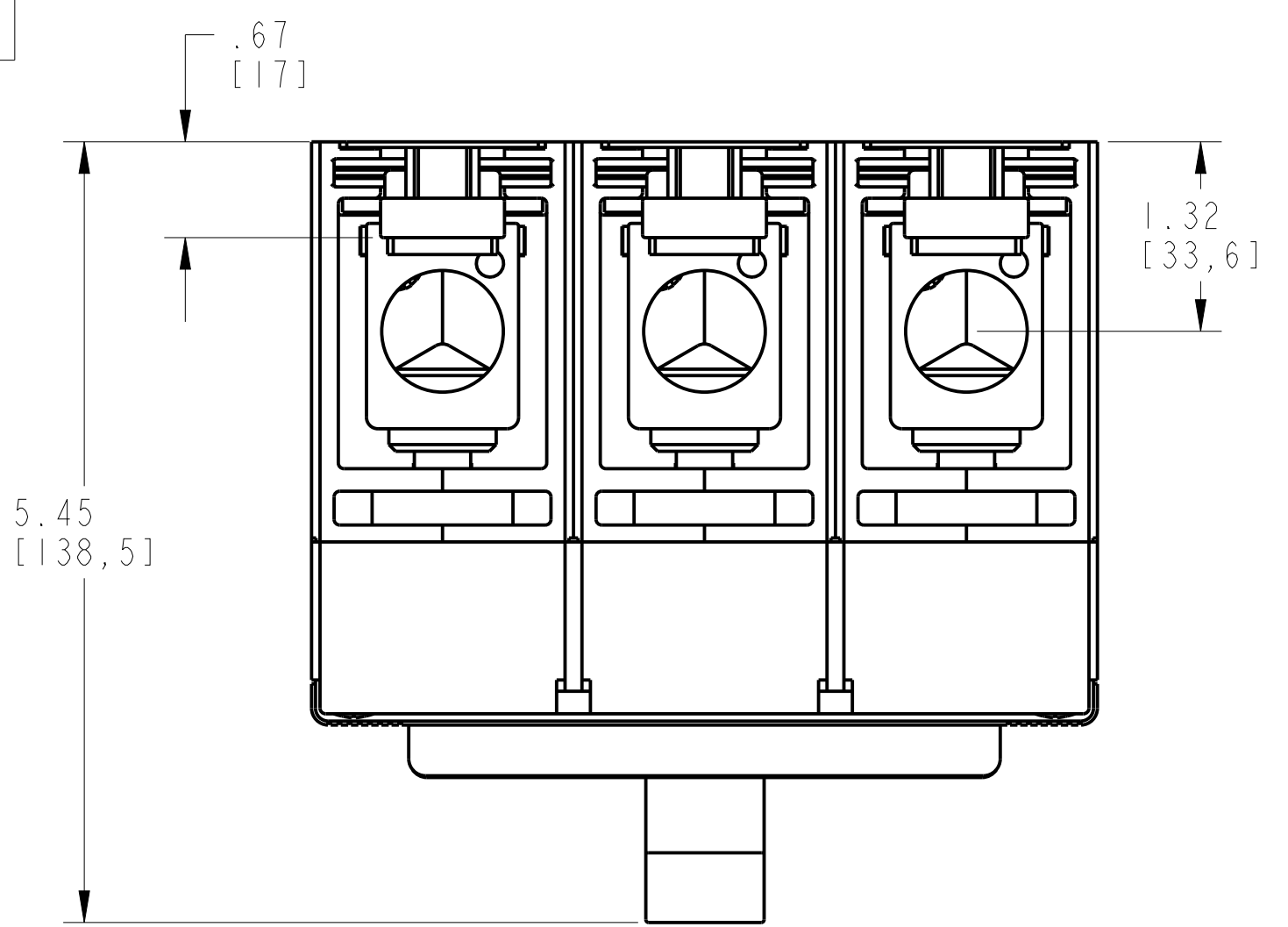


TERMINAL FOR COPPER CABLES FCCU ASSEMBLY			
ITEM	DESCRIPTION	QTY	AB CAT NUMBER
1	MOLDED CASE CIRCUIT BREAKER	1	140G-K-3P CB
2	FCCU TERMINAL (3 PCS)	2 SETS	140G-K-TLC13

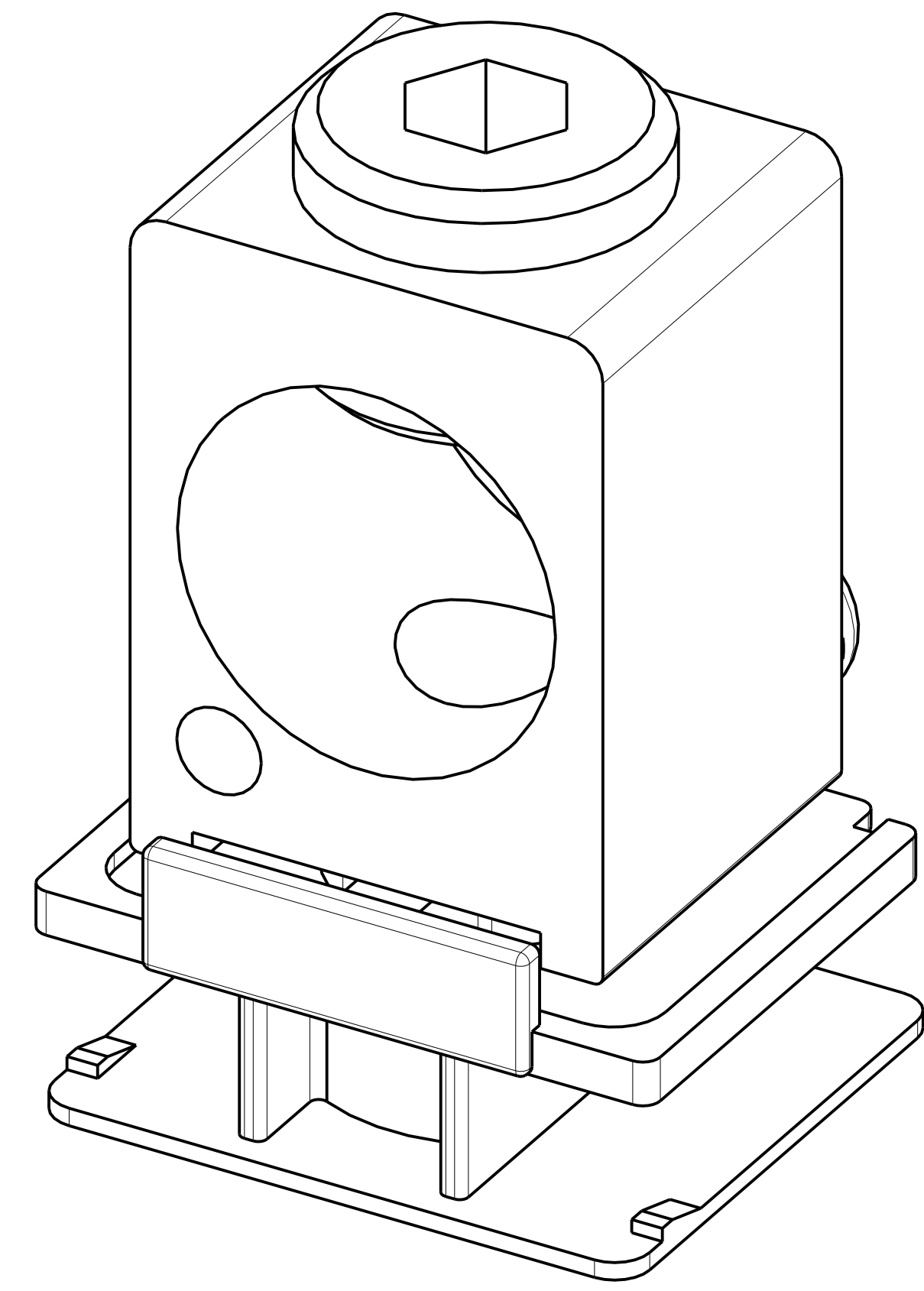
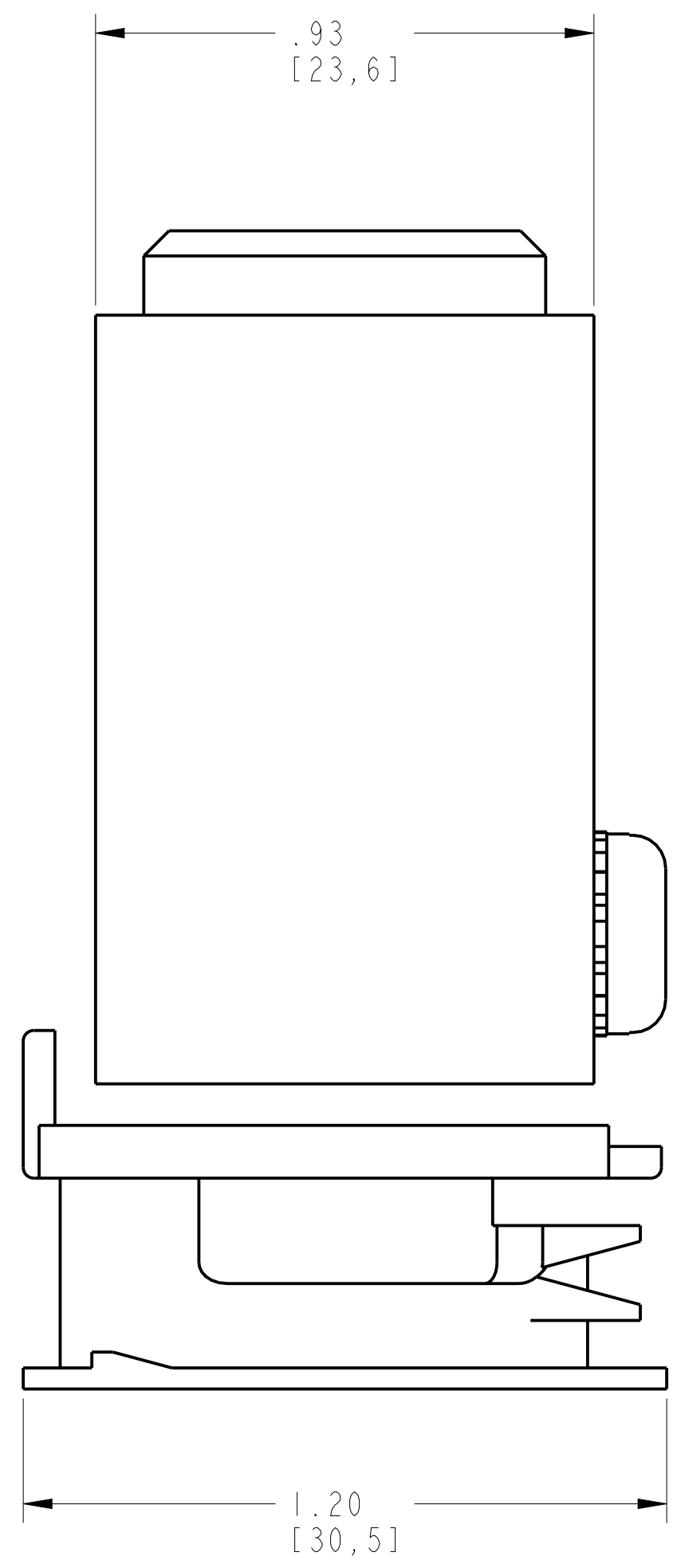
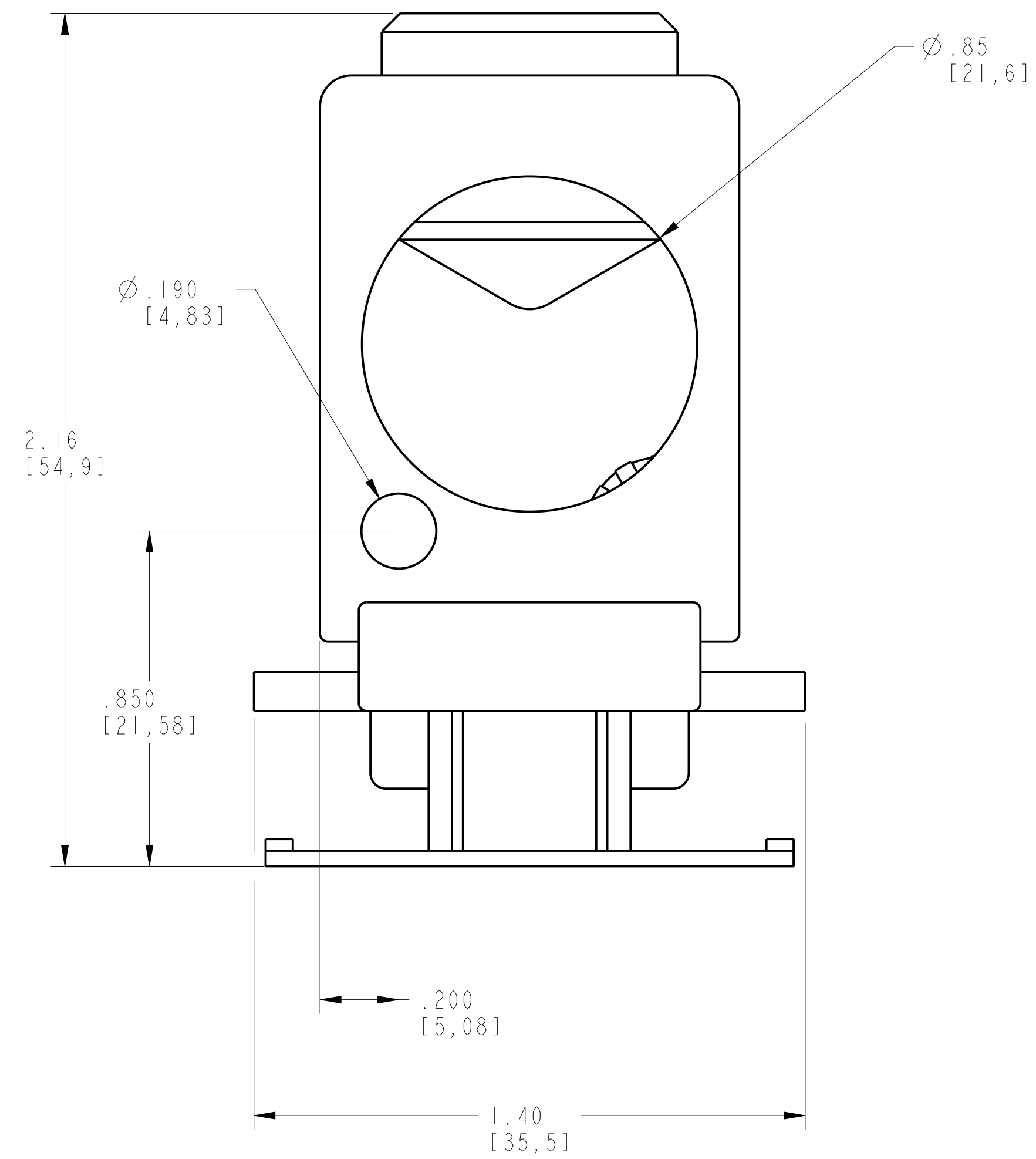
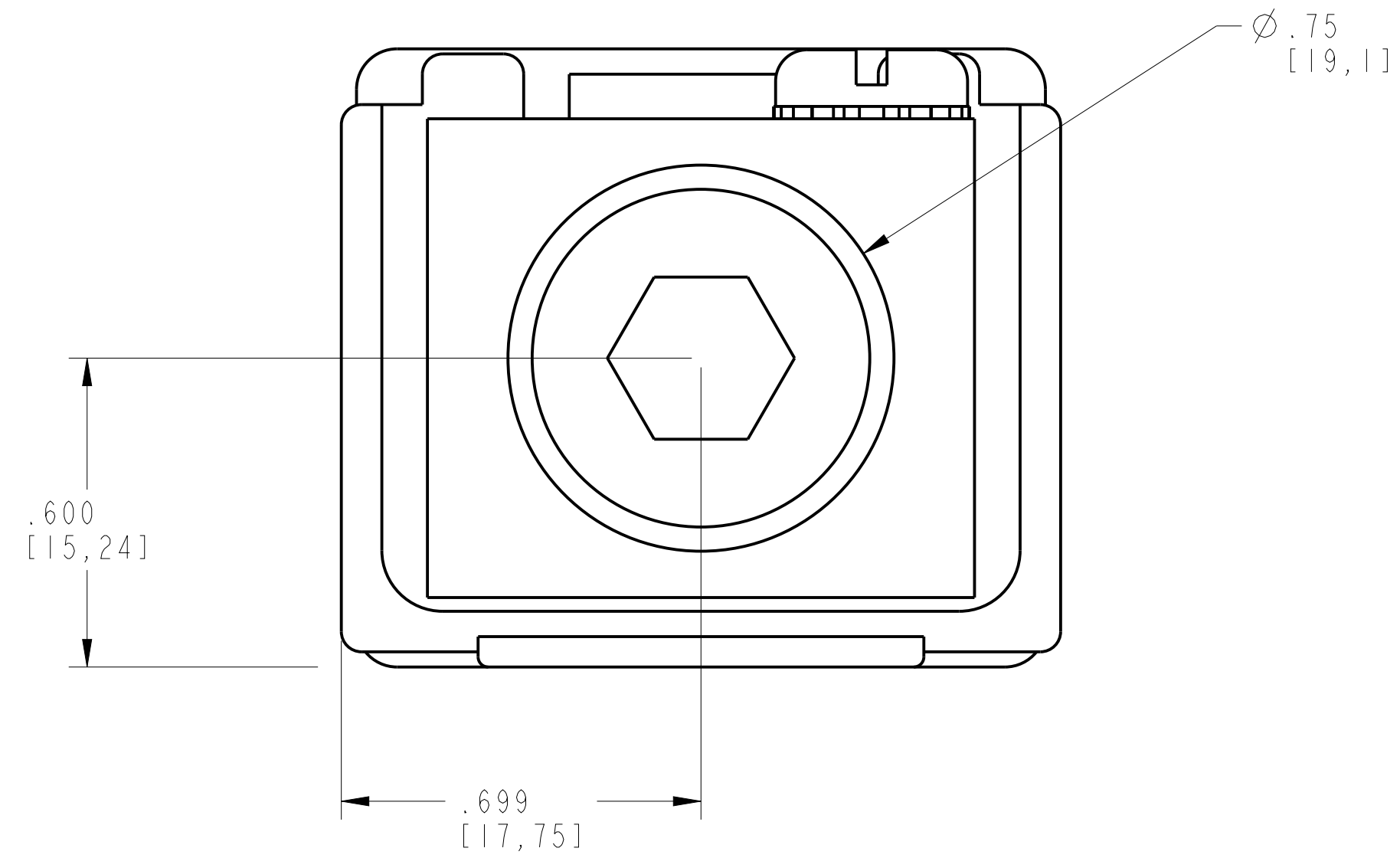


TERMINAL FOR FCCU ASSEMBLED TO 140G-K-3-POLE
SCALE 1.2:1

		<small>CONFIDENTIAL AND PROPRIETARY INFORMATION. THIS DOCUMENT CONTAINS CONFIDENTIAL AND PROPRIETARY INFORMATION OF ROCKWELL AUTOMATION, INC. AND MAY NOT BE USED, COPIED OR DISCLOSED TO OTHERS, EXCEPT WITH THE AUTHORIZED WRITTEN PERMISSION OF ROCKWELL AUTOMATION, INC.</small>	
		Sheet 1 Of 2	Ver
FCCU ASSEMBLED TO 140G-K-3P CB		Size	10000849060
Drawn by: UMUNUSW	Date: 10-16-13	D	00

1 2 3 4 5 6 7 8

A
B
C
D
E
F
G
H



ISOMETRIC VIEW

ITEM 2 : TERMINAL FOR FCCU
SCALE 1.2:1

		<small>CONFIDENTIAL AND PROPRIETARY INFORMATION. THIS DOCUMENT CONTAINS CONFIDENTIAL AND PROPRIETARY INFORMATION OF ROCKWELL AUTOMATION, INC. AND MAY NOT BE USED, COPIED OR DISCLOSED TO OTHERS, EXCEPT WITH THE AUTHORIZED WRITTEN PERMISSION OF ROCKWELL AUTOMATION, INC.</small>	
		Sheet 2 Of 2	
FCCU ASSEMBLED TO 140G-K-3P CB		Size D	Ver 00
Drawn by: UMUNUSW	Date: 10-16-13	10000849060	