

1

2

3

4

5

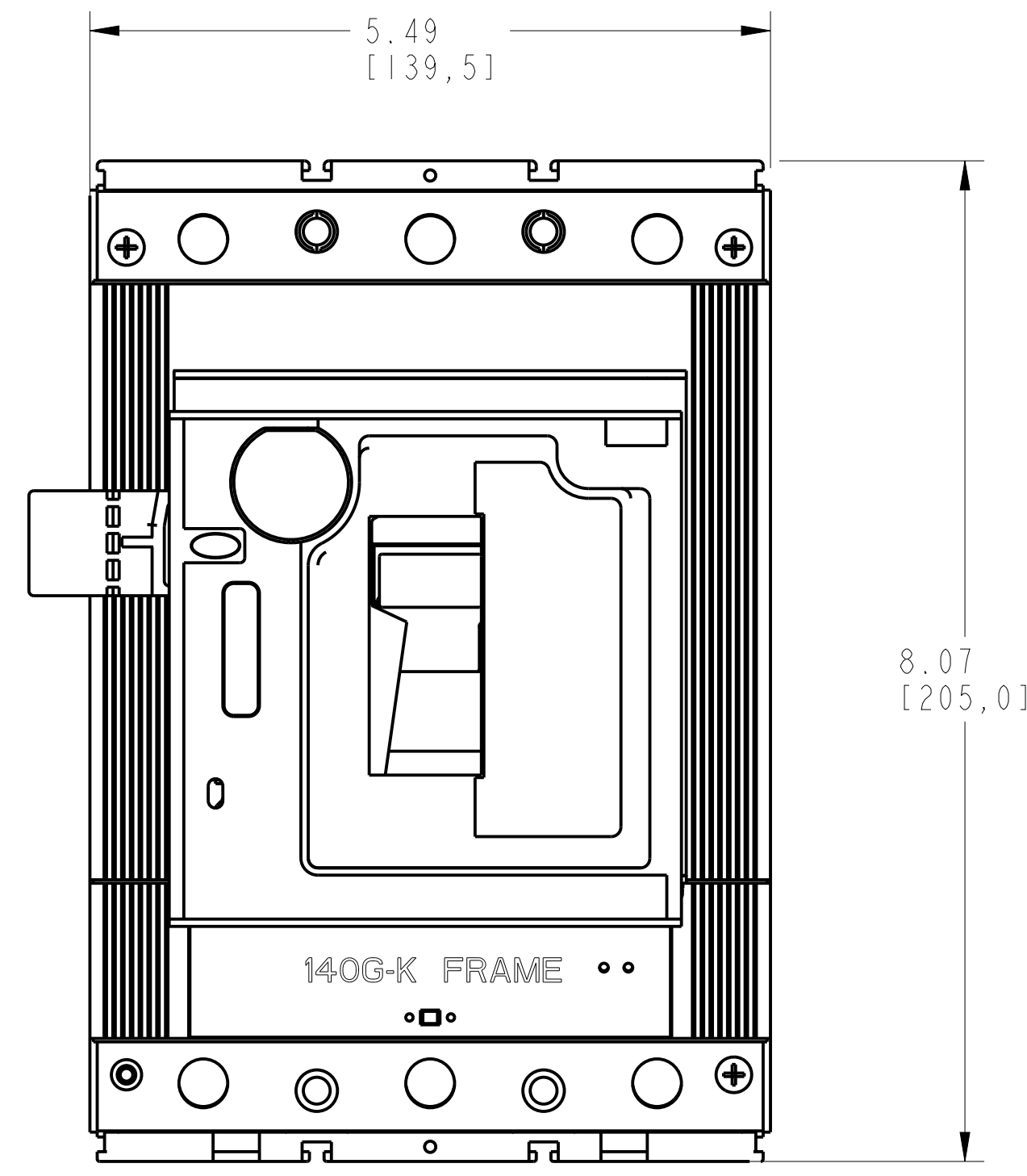
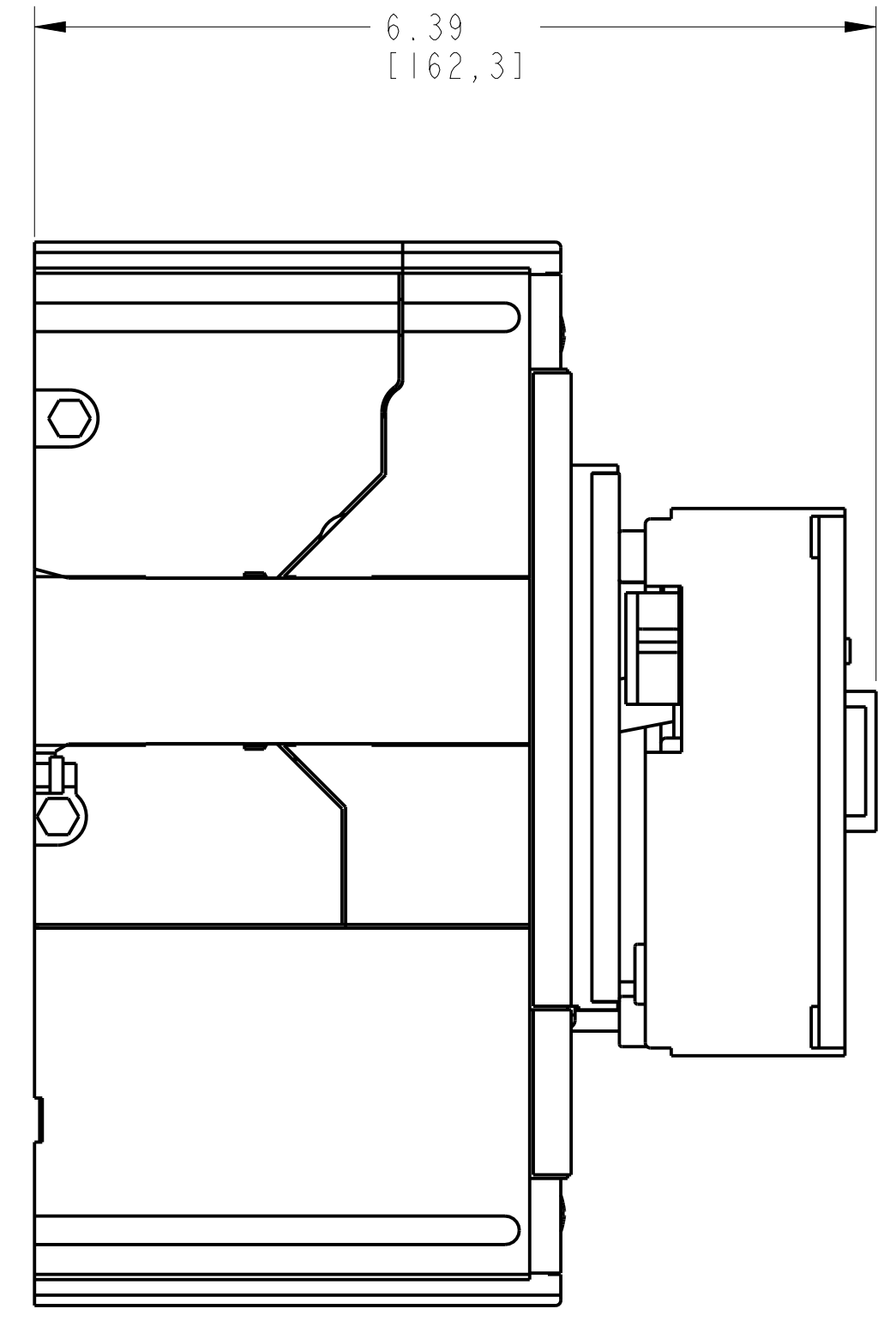
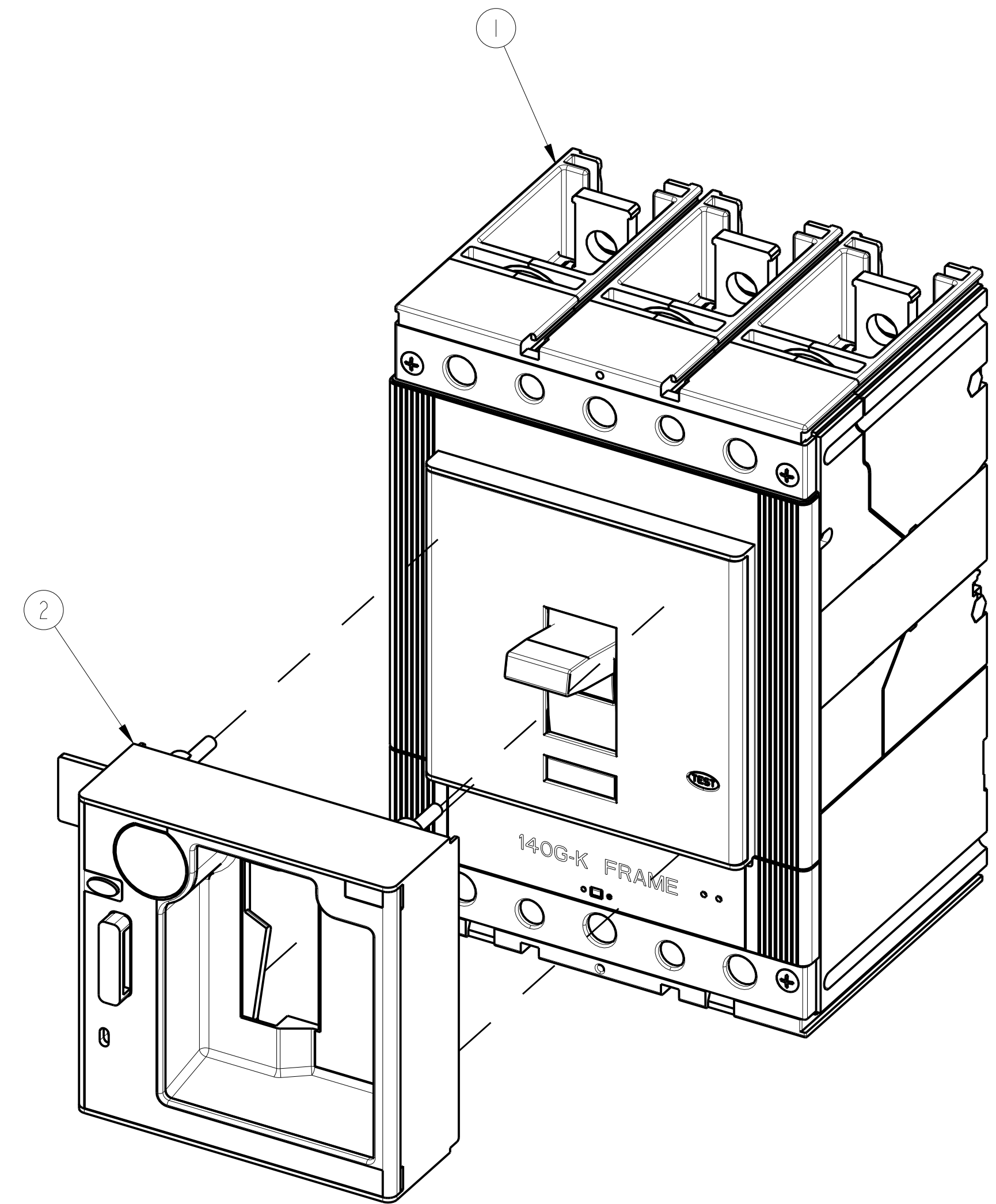
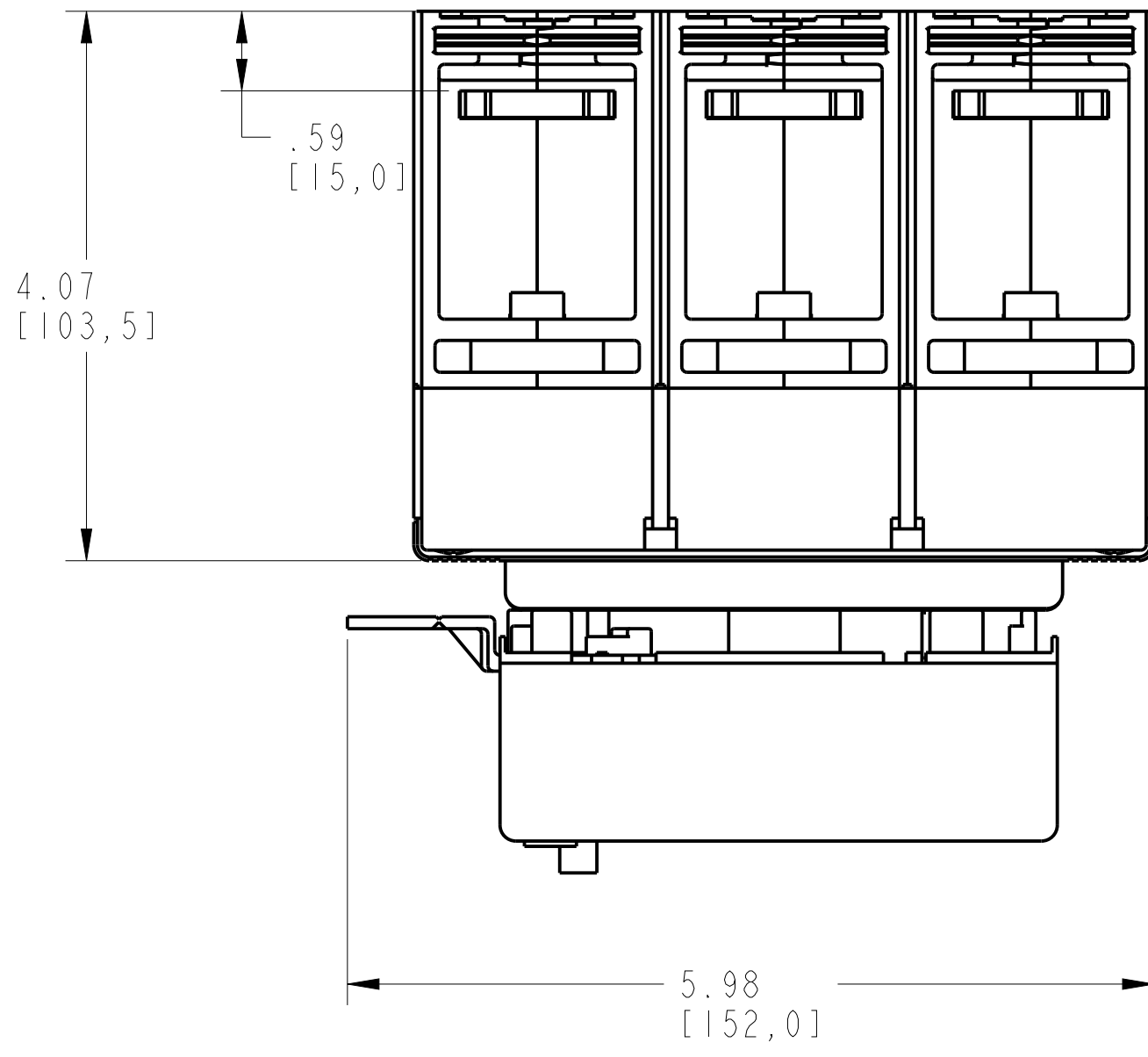
6

7

8

FLD (PAD LOCKING FLANGE) ASSEMBLY

ITEM	DESCRIPTION	QTY	AB CAT NUMBER
1	MOLDED CASE CIRCUIT BREAKER	1	140G-K-3P CB
2	FLD (PAD LOCKING FLANGE)	1	140G-K-TPA



FLD (PAD LOCKING FLANGE) ASSEMBLED TO 140G-K-3-POLE
SCALE 0.80:1

		<small>CONFIDENTIAL AND PROPRIETARY INFORMATION. THIS DOCUMENT CONTAINS CONFIDENTIAL AND PROPRIETARY INFORMATION OF ROCKWELL AUTOMATION, INC. AND MAY NOT BE USED, COPIED OR DISCLOSED TO OTHERS, EXCEPT WITH THE AUTHORIZED WRITTEN PERMISSION OF ROCKWELL AUTOMATION, INC.</small>	
		Sheet 1 Of 3	
FLD ASSEMBLED TO 140G-K-3P & 4P CB		Size D	Ver 00
Drawn by: UMUNUSW	Date: 26-Nov-13	1000882428	

1

2

3

4

5

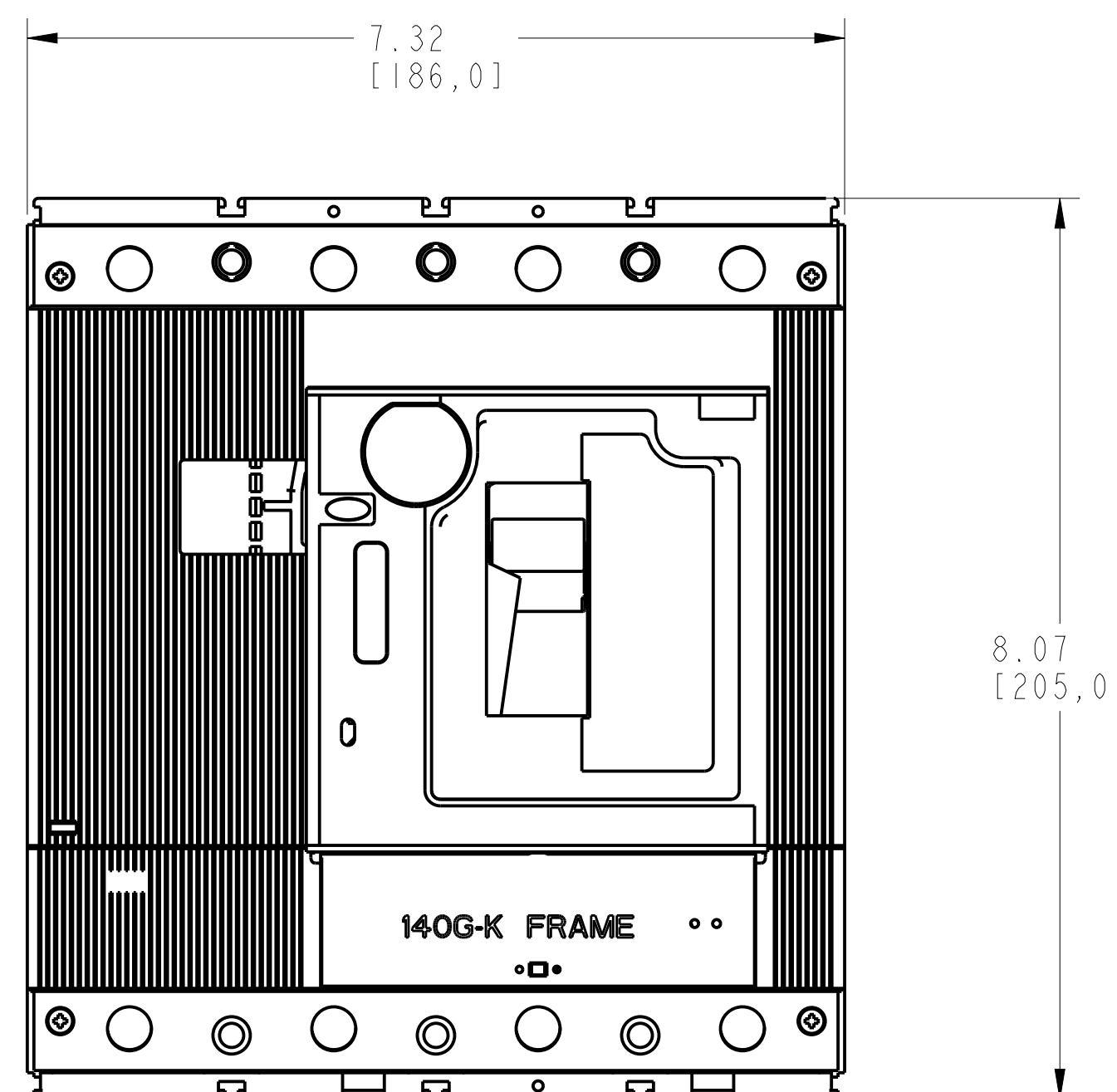
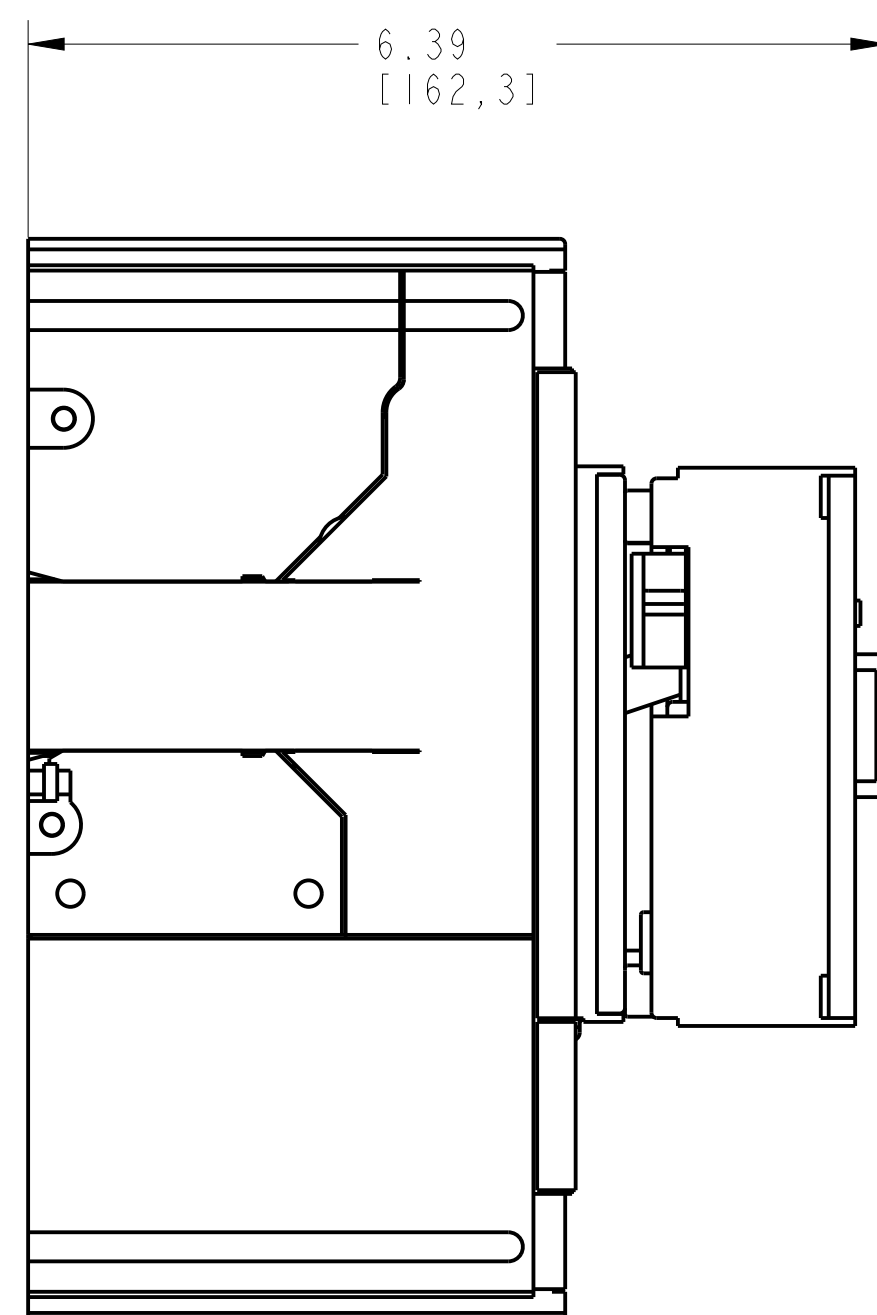
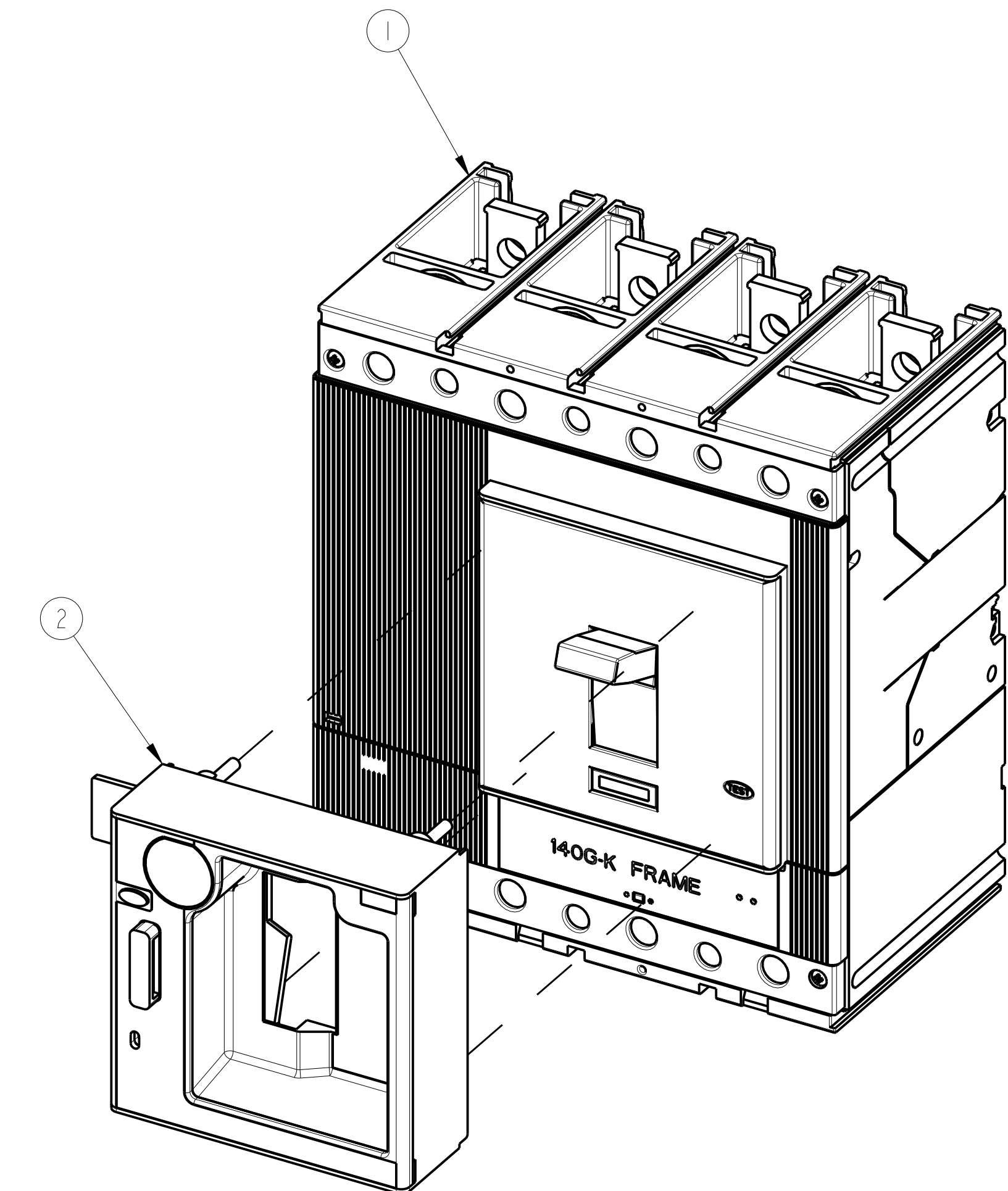
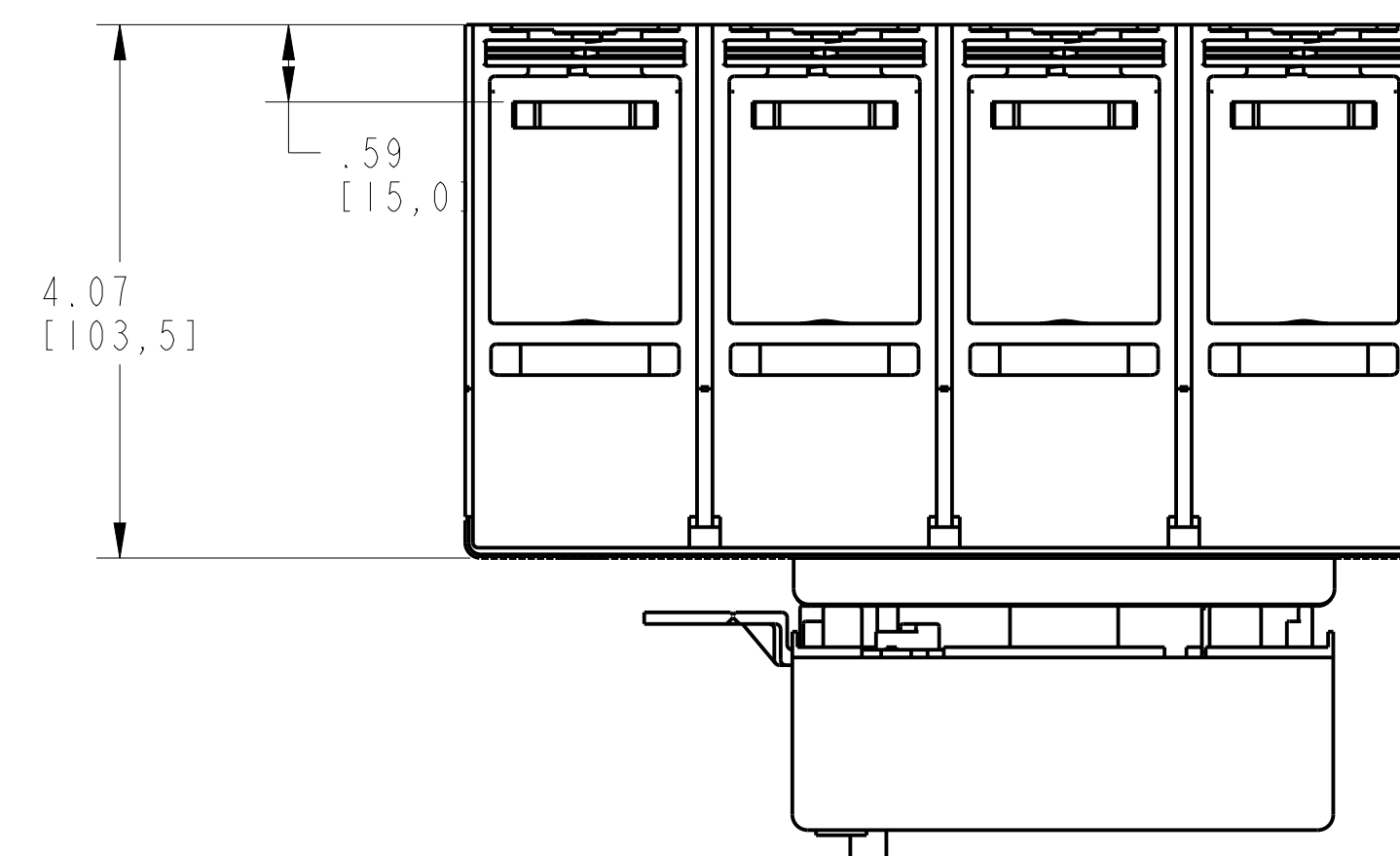
6

7

8

FLD (PAD LOCKING FLANGE) ASSEMBLY

ITEM	DESCRIPTION	QTY	AB CAT NUMBER
1	MOLDED CASE CIRCUIT BREAKER	1	140G-K-4P CB
2	FLD (PAD LOCKING FLANGE)	1	140G-K-TPA

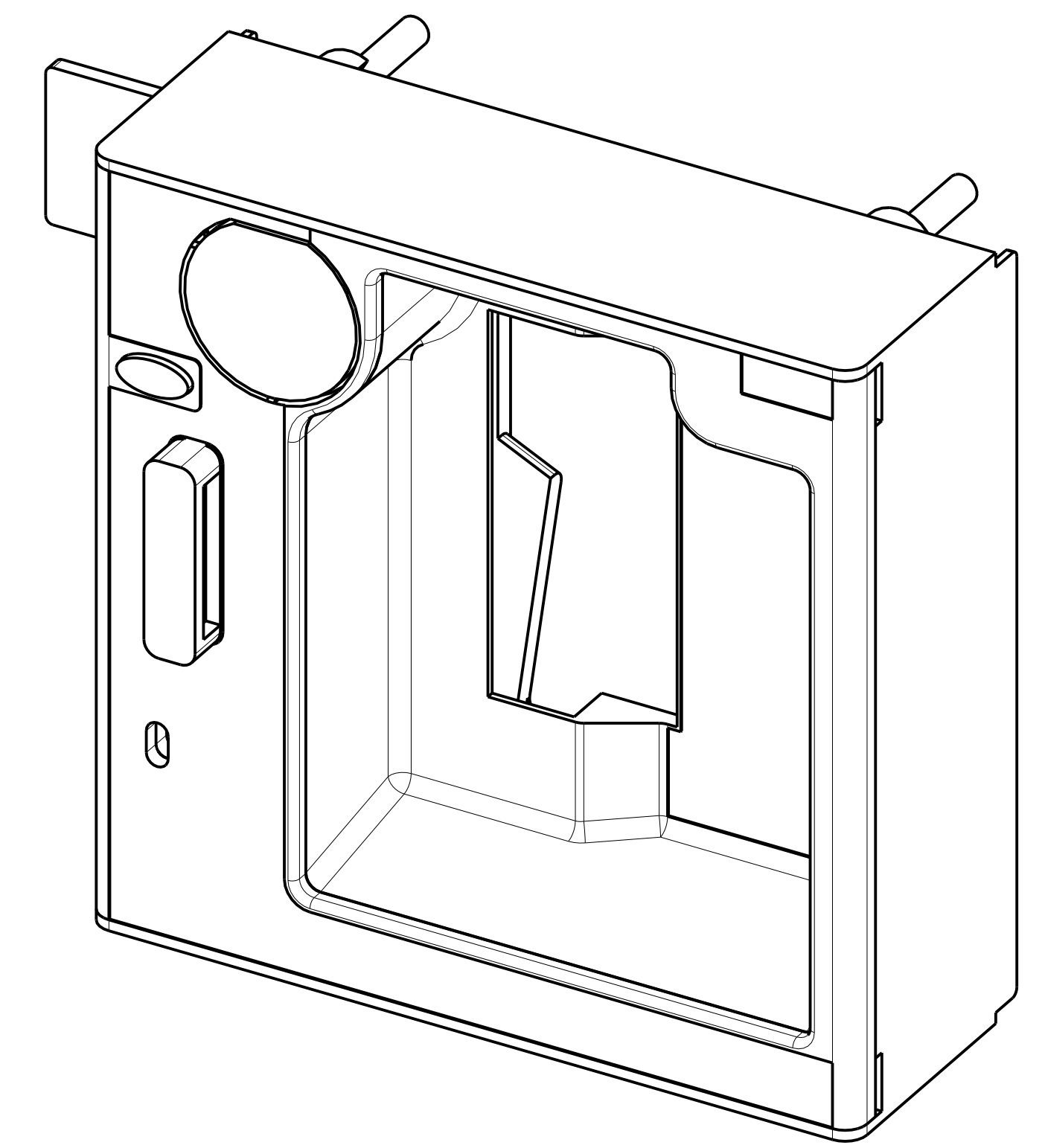
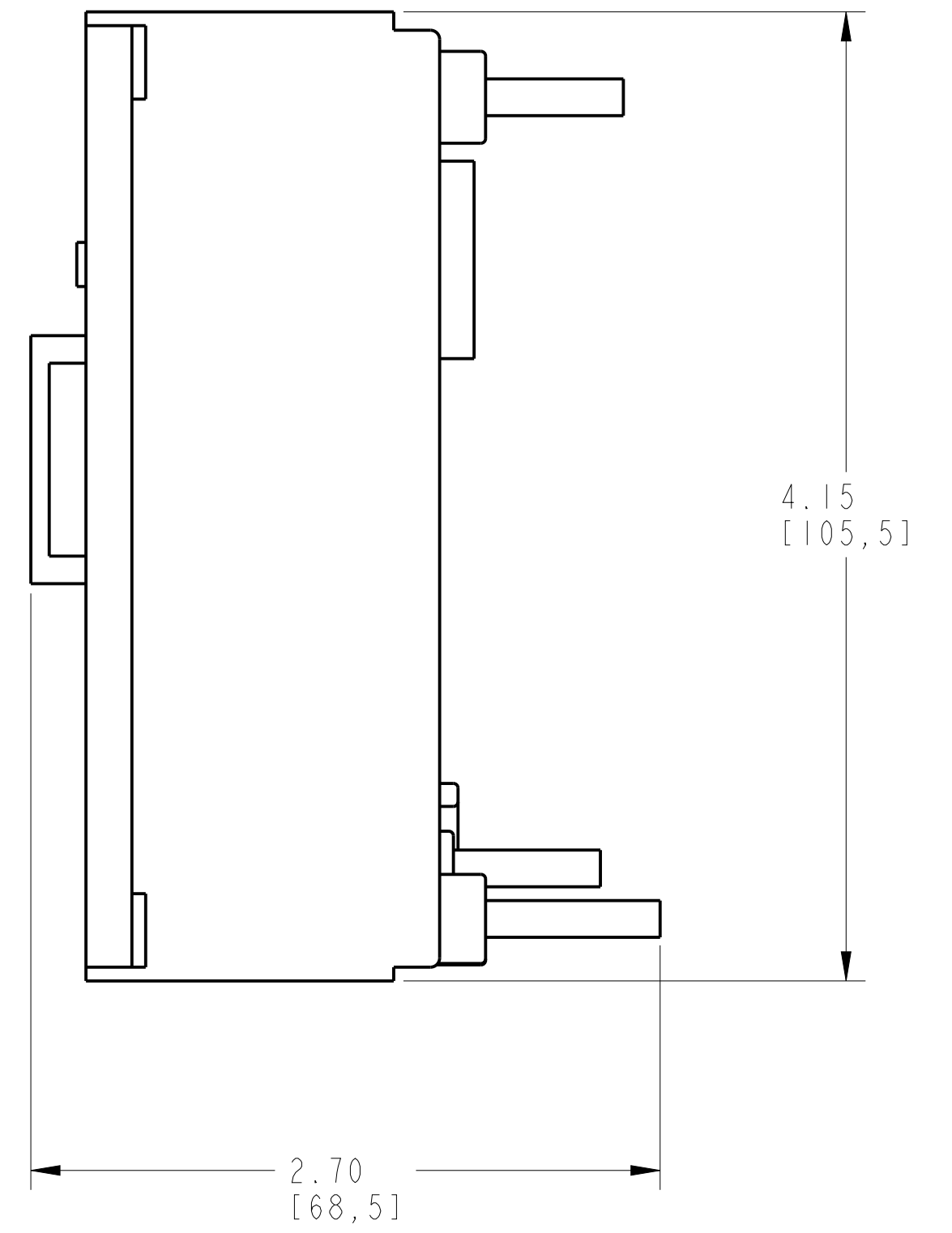
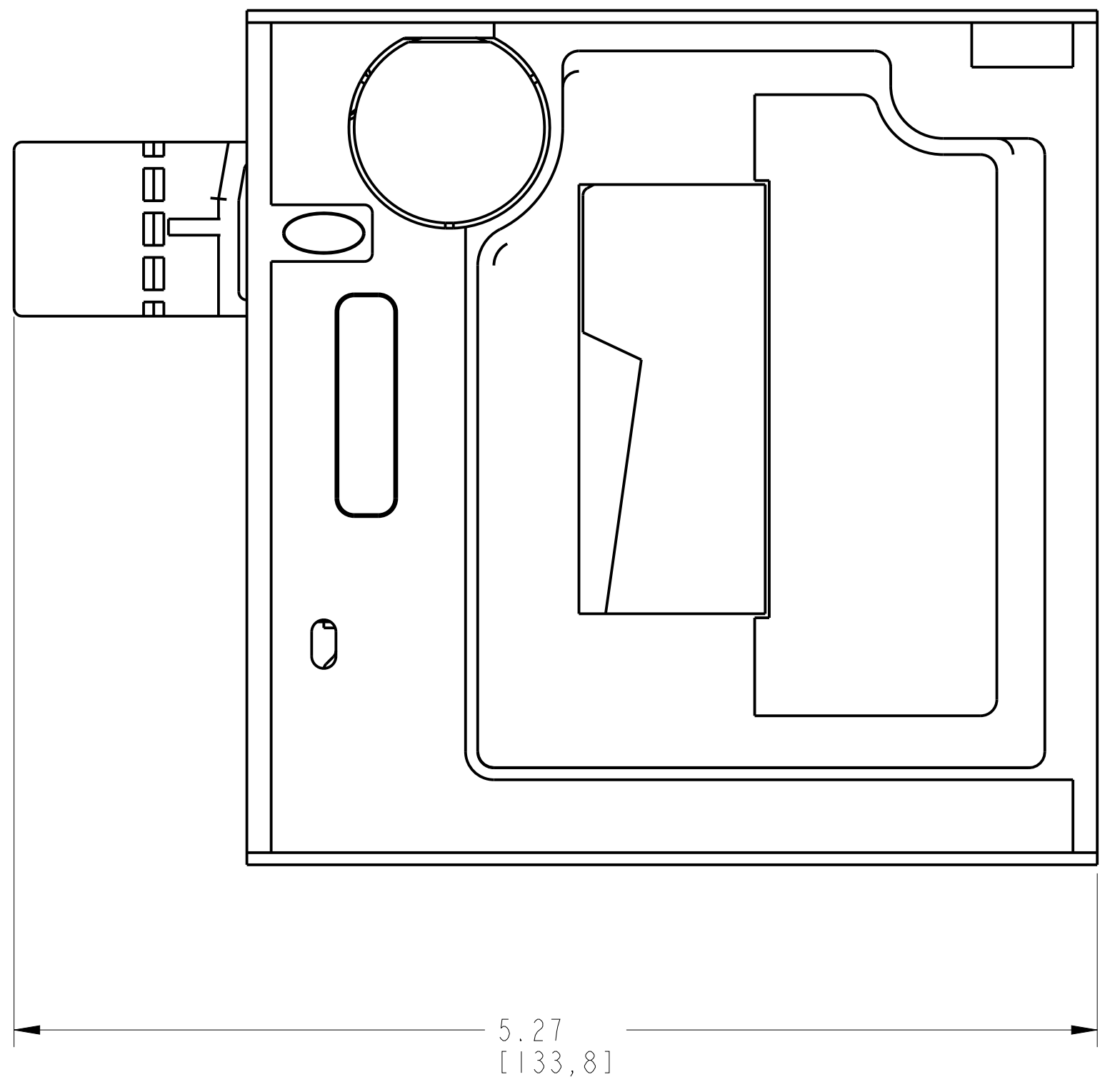
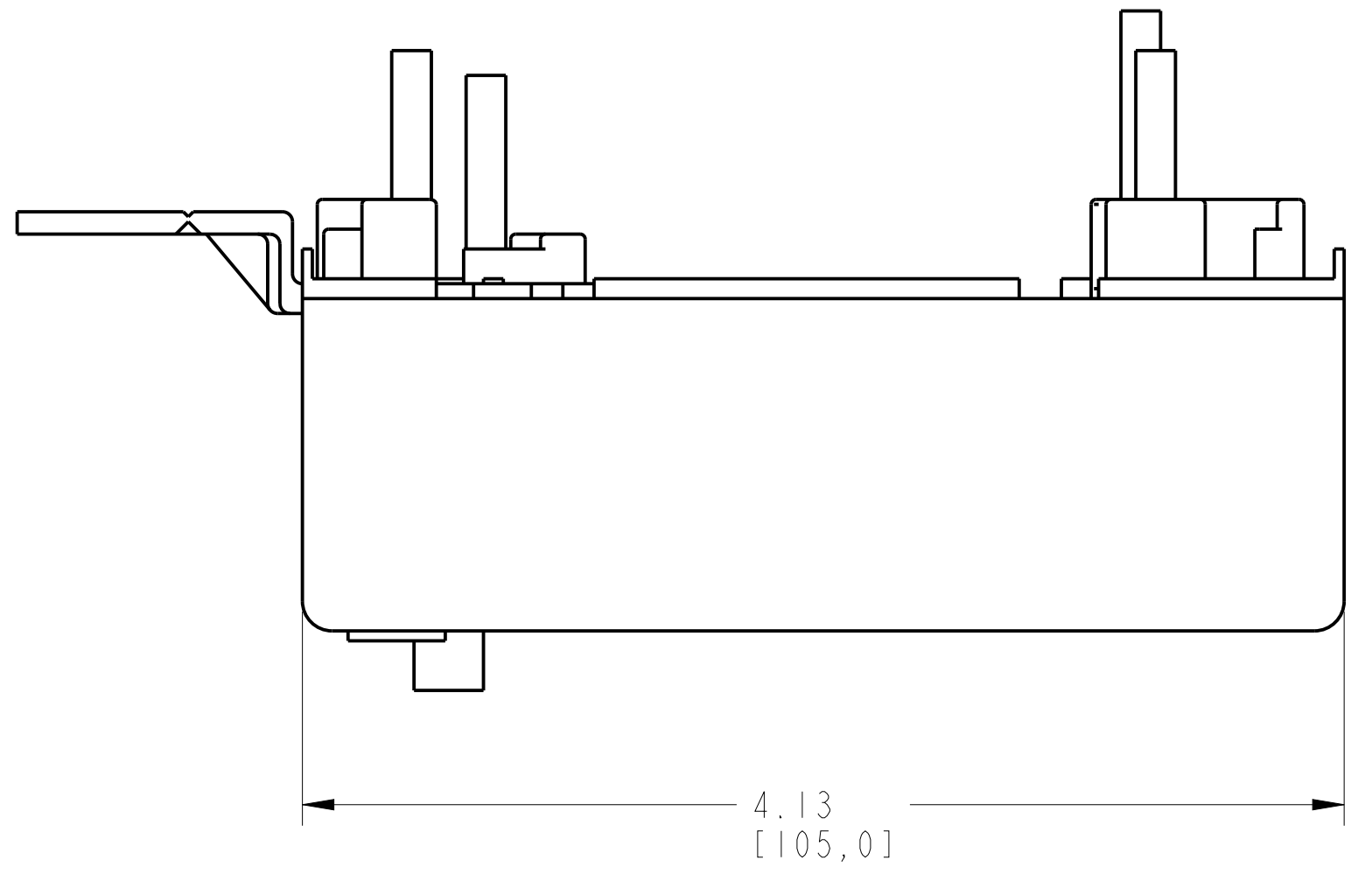


FLD (PAD LOCKING FLANGE) ASSEMBLED TO 140G-K-4-POLE
SCALE 0.70:1

		<small>CONFIDENTIAL AND PROPRIETARY INFORMATION. THIS DOCUMENT CONTAINS CONFIDENTIAL AND PROPRIETARY INFORMATION OF ROCKWELL AUTOMATION, INC. AND MAY NOT BE USED, COPIED OR DISCLOSED TO OTHERS, EXCEPT WITH THE AUTHORIZED WRITTEN PERMISSION OF ROCKWELL AUTOMATION, INC.</small>	
		Sheet 2 Of 3	
FLD ASSEMBLED TO 140G-K-3P & 4P CB		Size D	Ver 10000882428 00
Drawn by: UMUNUSW		Date: 26-Nov-13	

1 2 3 4 5 6 7 8

A
B
C
D
E
F
G
H



ISOMETRIC VIEW

ITEM 2 : FLD (PAD LOCKING FLANGE)
SCALE 1.50:1

		<small>CONFIDENTIAL AND PROPRIETARY INFORMATION THIS DOCUMENT CONTAINS CONFIDENTIAL AND PROPRIETARY INFORMATION OF ROCKWELL AUTOMATION, INC. AND MAY NOT BE USED, COPIED OR DISCLOSED TO OTHERS, EXCEPT WITH THE AUTHORIZED WRITTEN PERMISSION OF ROCKWELL AUTOMATION, INC.</small>	
		Sheet 3 Of 3	
FLD ASSEMBLED TO 140G-K-3P & 4P CB		Size D	Ver 00
Drawn by: UMUNUSW	Date: 26-Nov-13	1000882428	