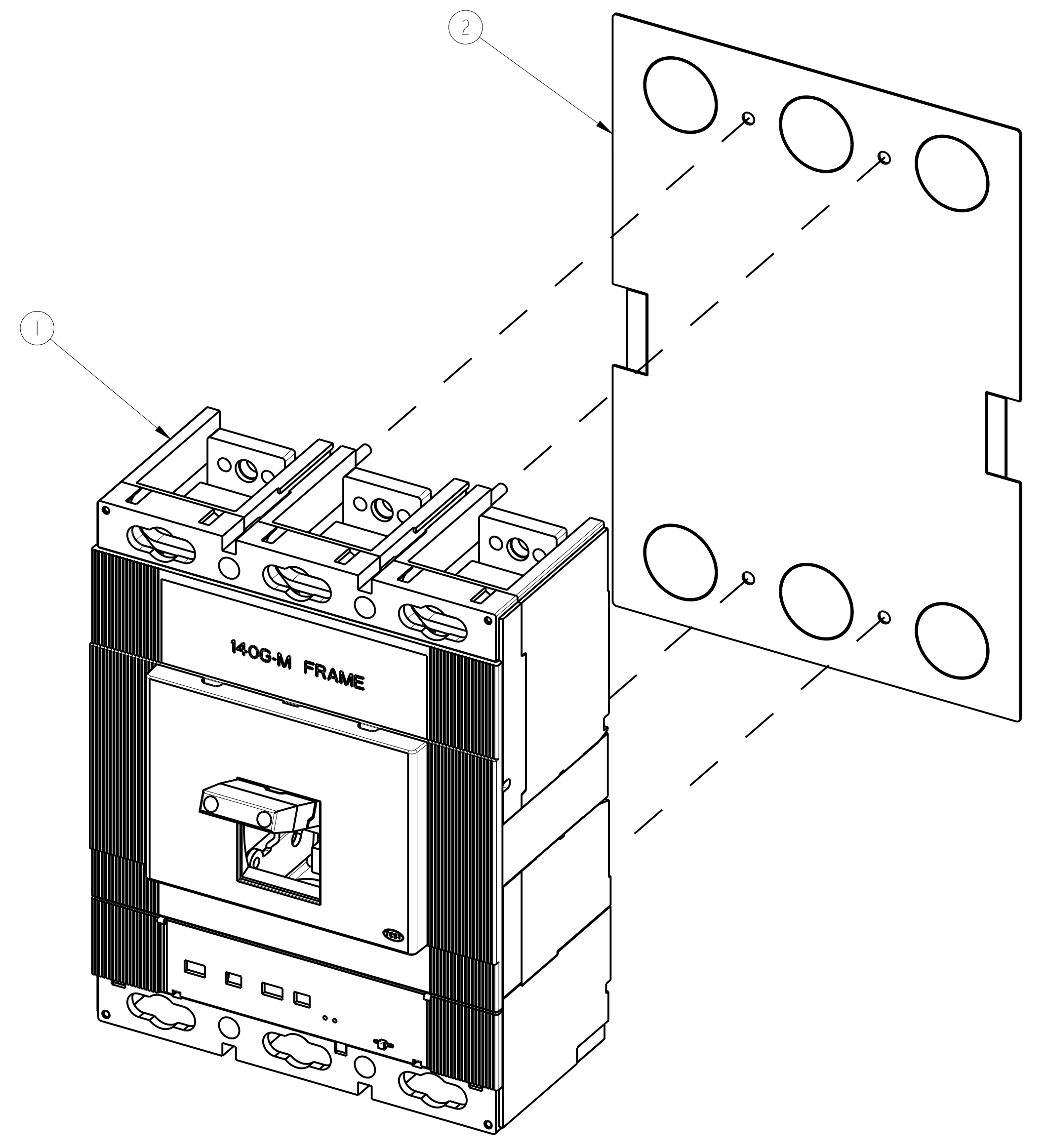
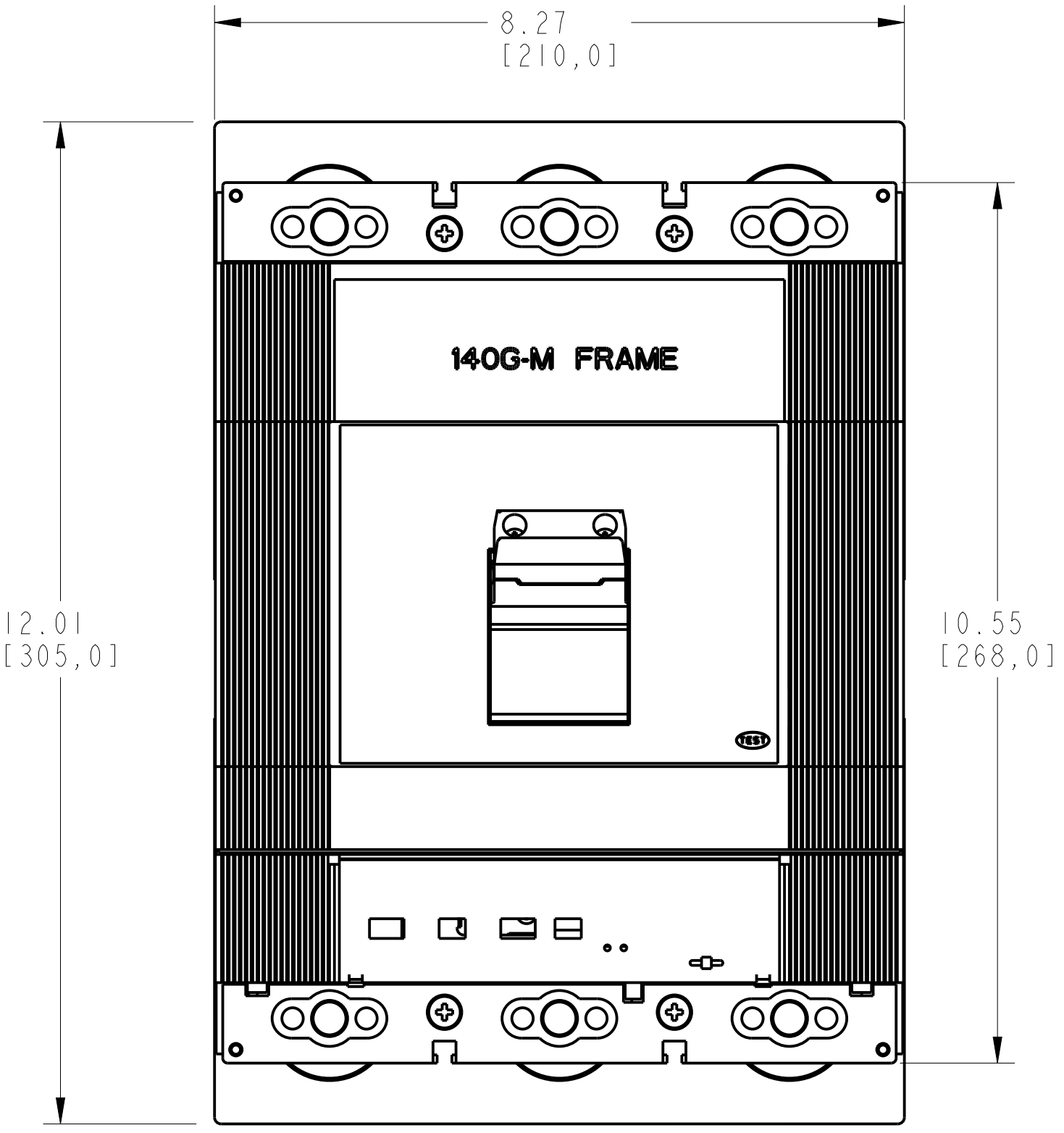
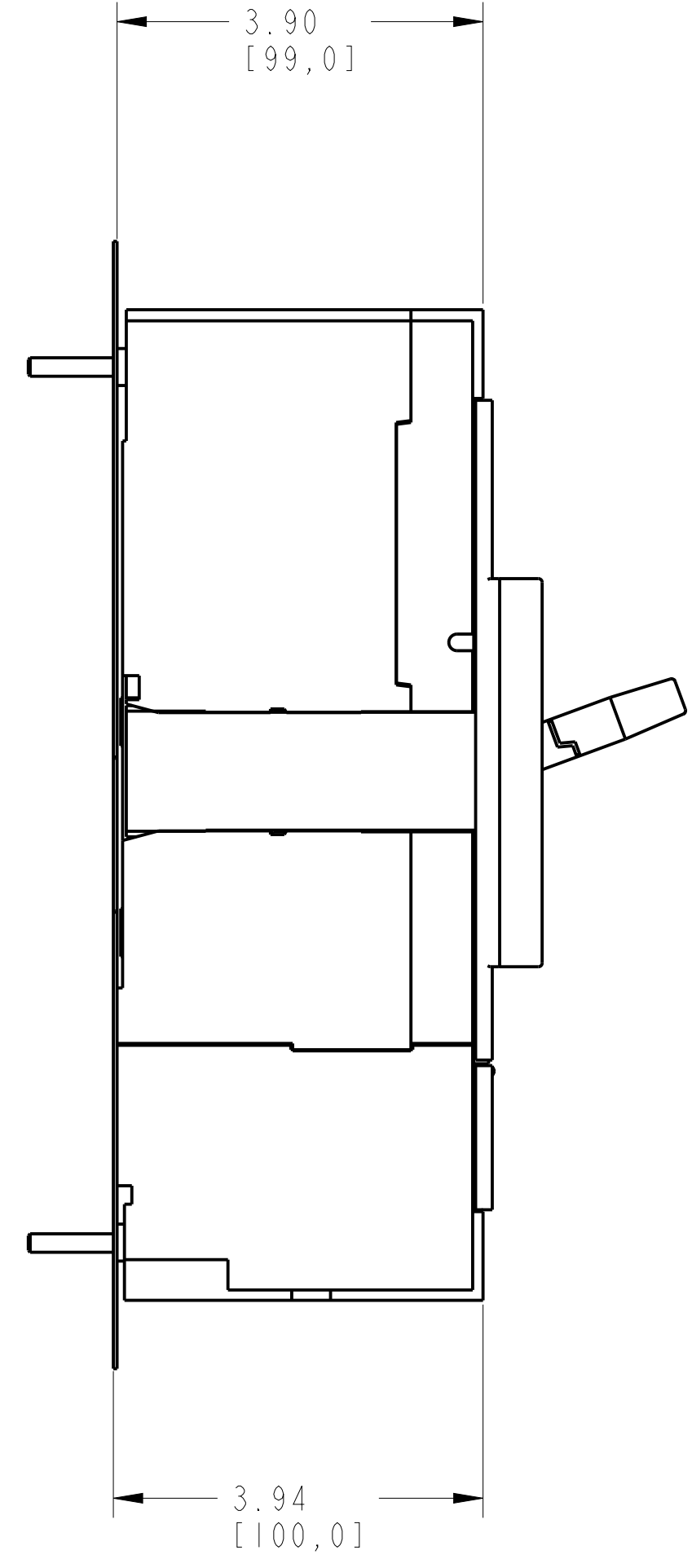
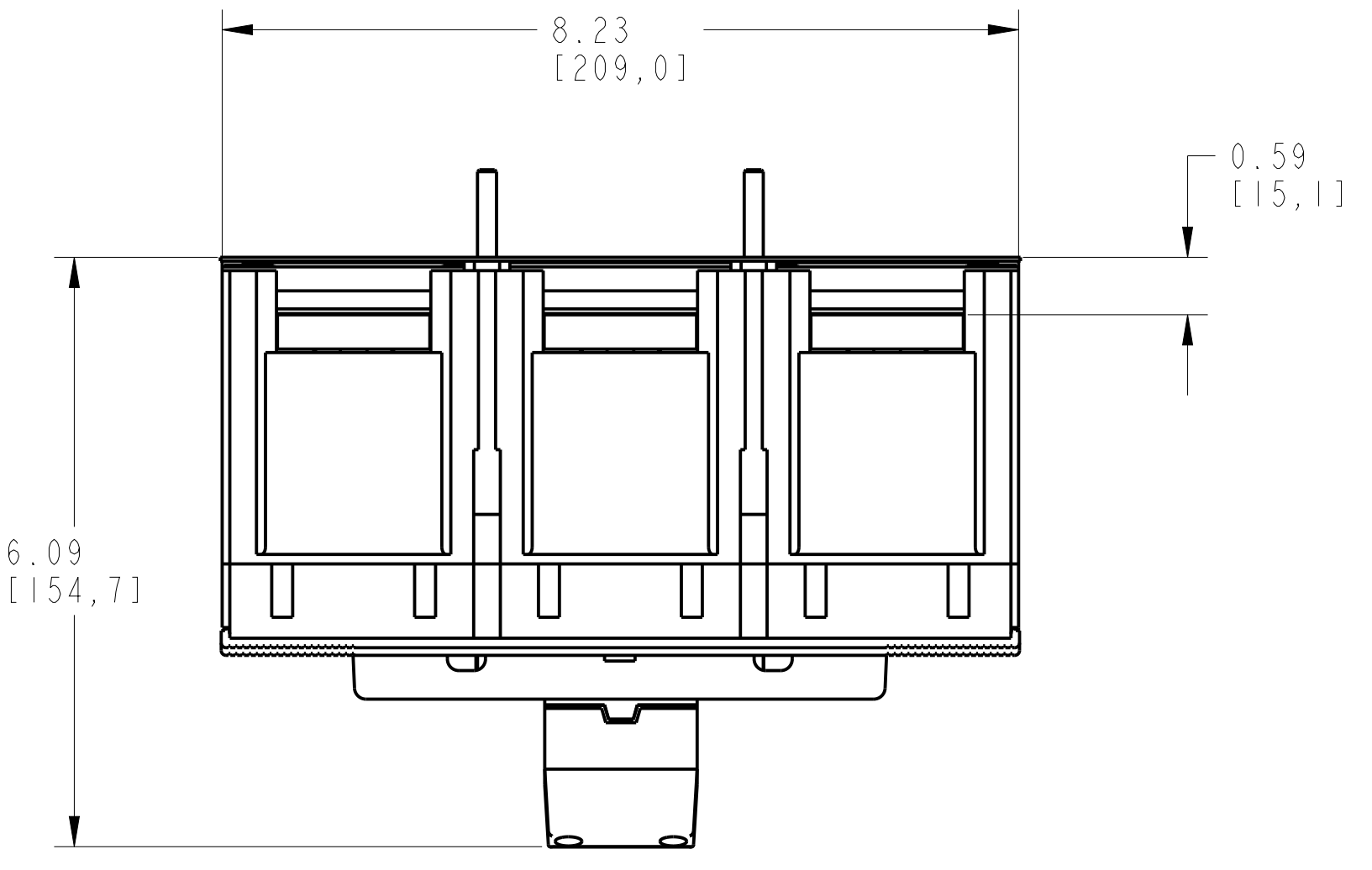


1 2 3 4 5 6 7 8

INSULATION BACK PLATE 3 POLE ASSEMBLY

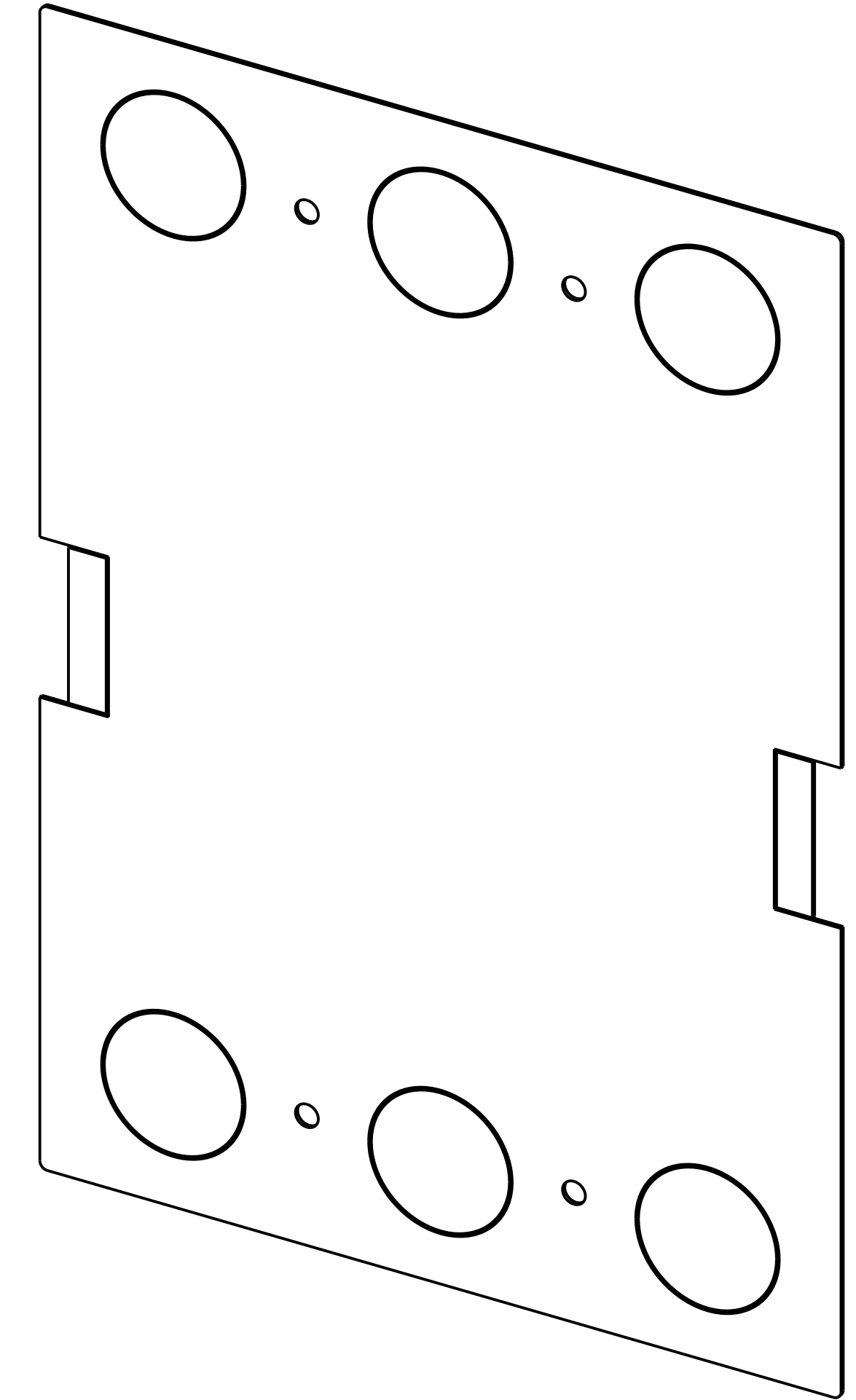
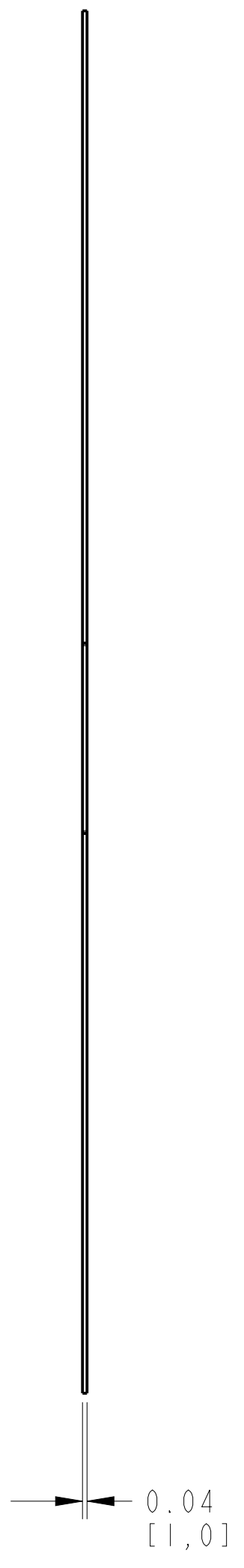
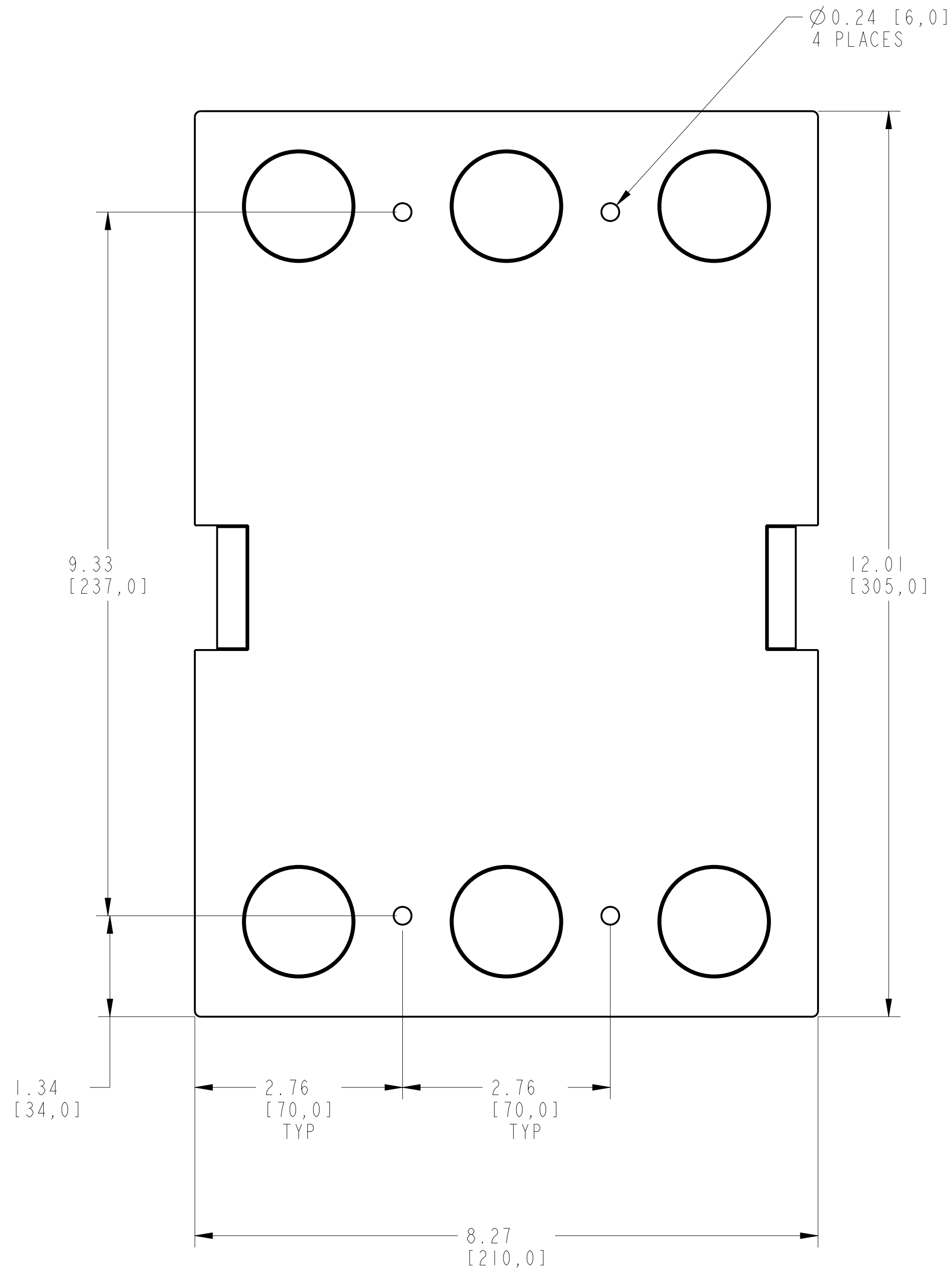
ITEM	DESCRIPTION	QTY	AB CAT NUMBER
1	MOLDED CASE CIRCUIT BREAKER	1	140G-M-3P CB
2	INSULATION BACK PLATE 3 POLE	1	140G-M-BP3



INSULATION BACK PLATE 3 POLE ASSEMBLED TO 140G-M-3-POLE
SCALE 0.6:1

1 2 3 4 5 6 7 8

A
B
C
D
E
F
G
H



ISOMETRIC VIEW

ITEM 2 : INSULATION BACK PLATE 3 POLE
SCALE 0.8:1