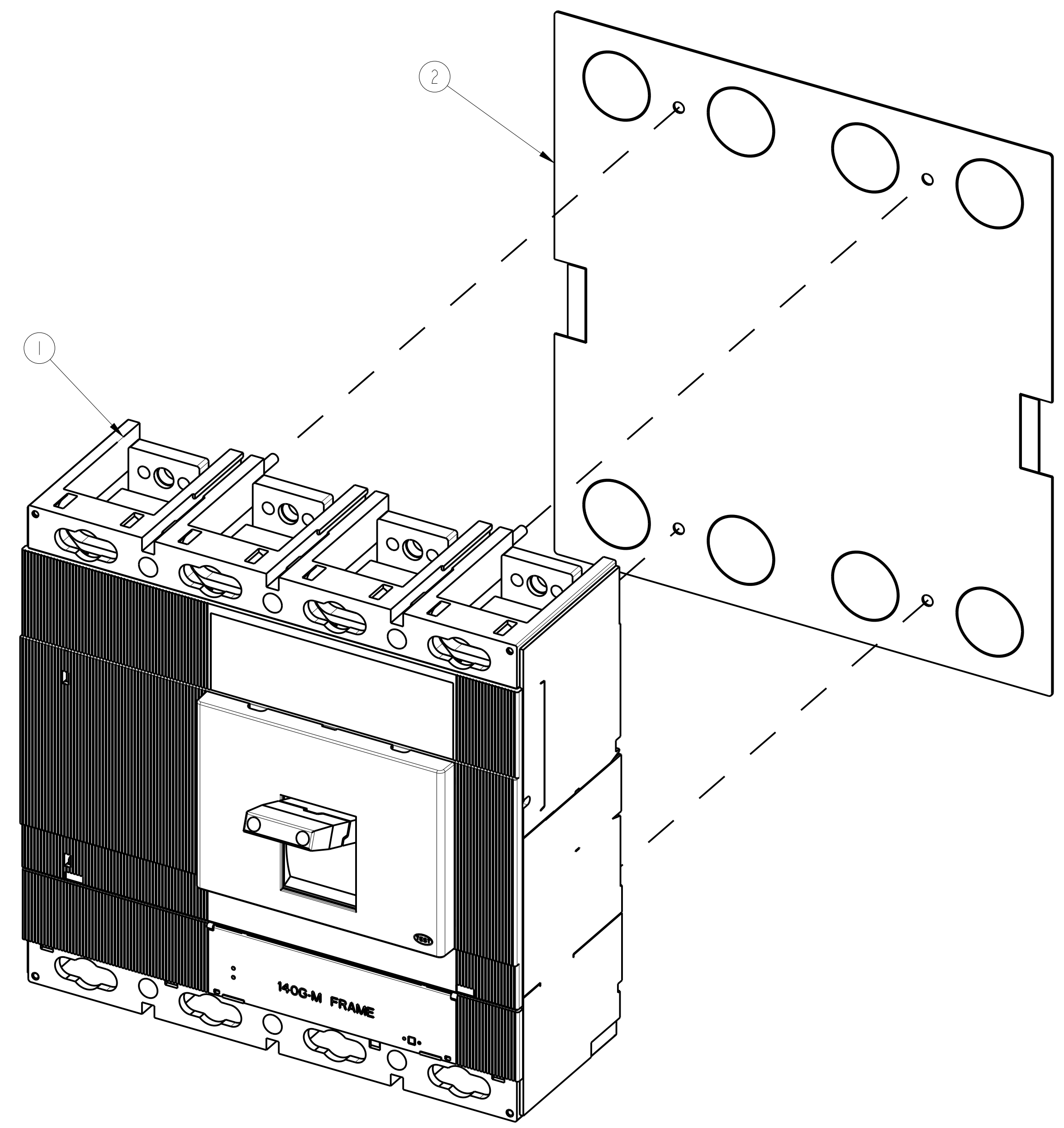
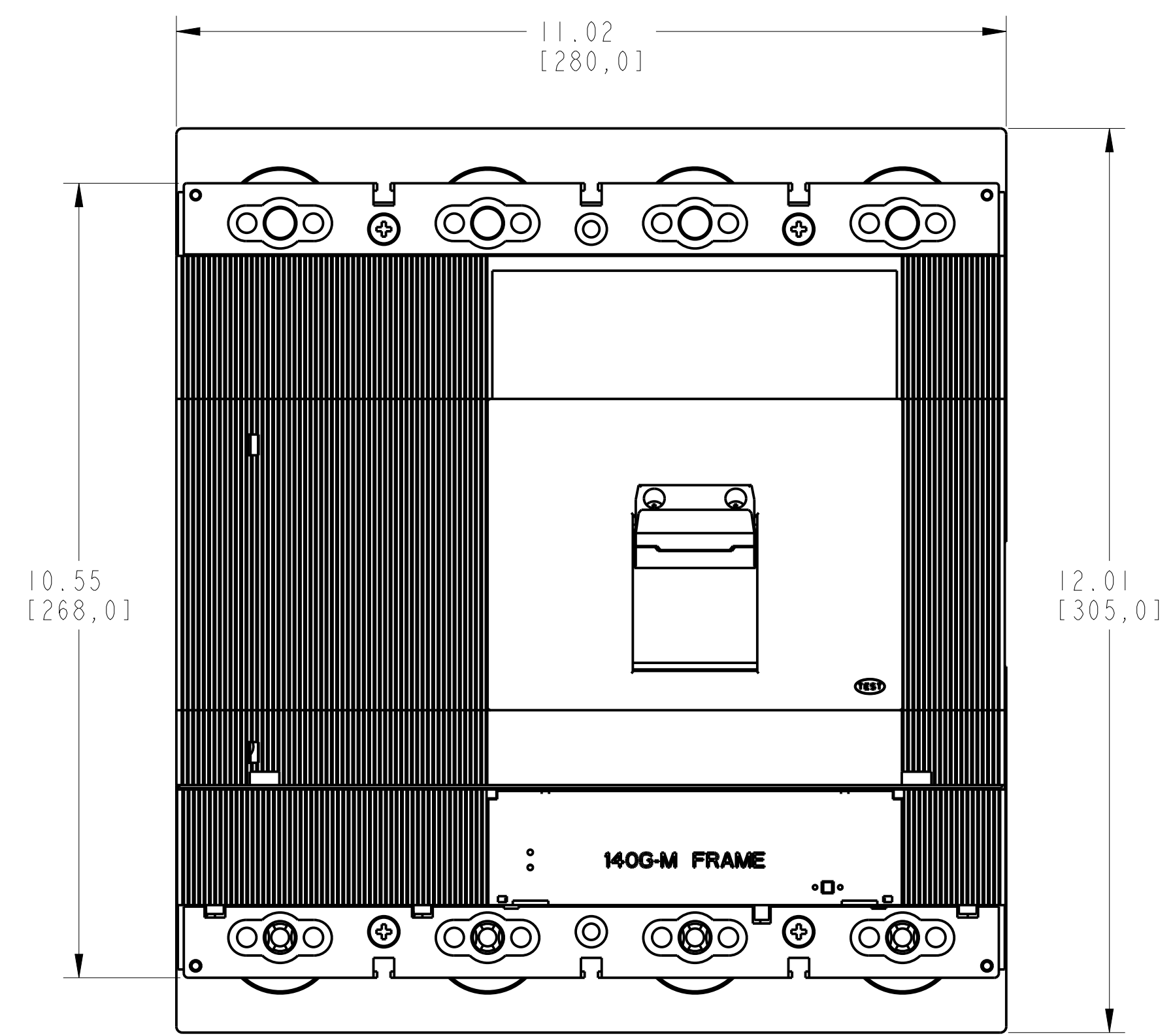
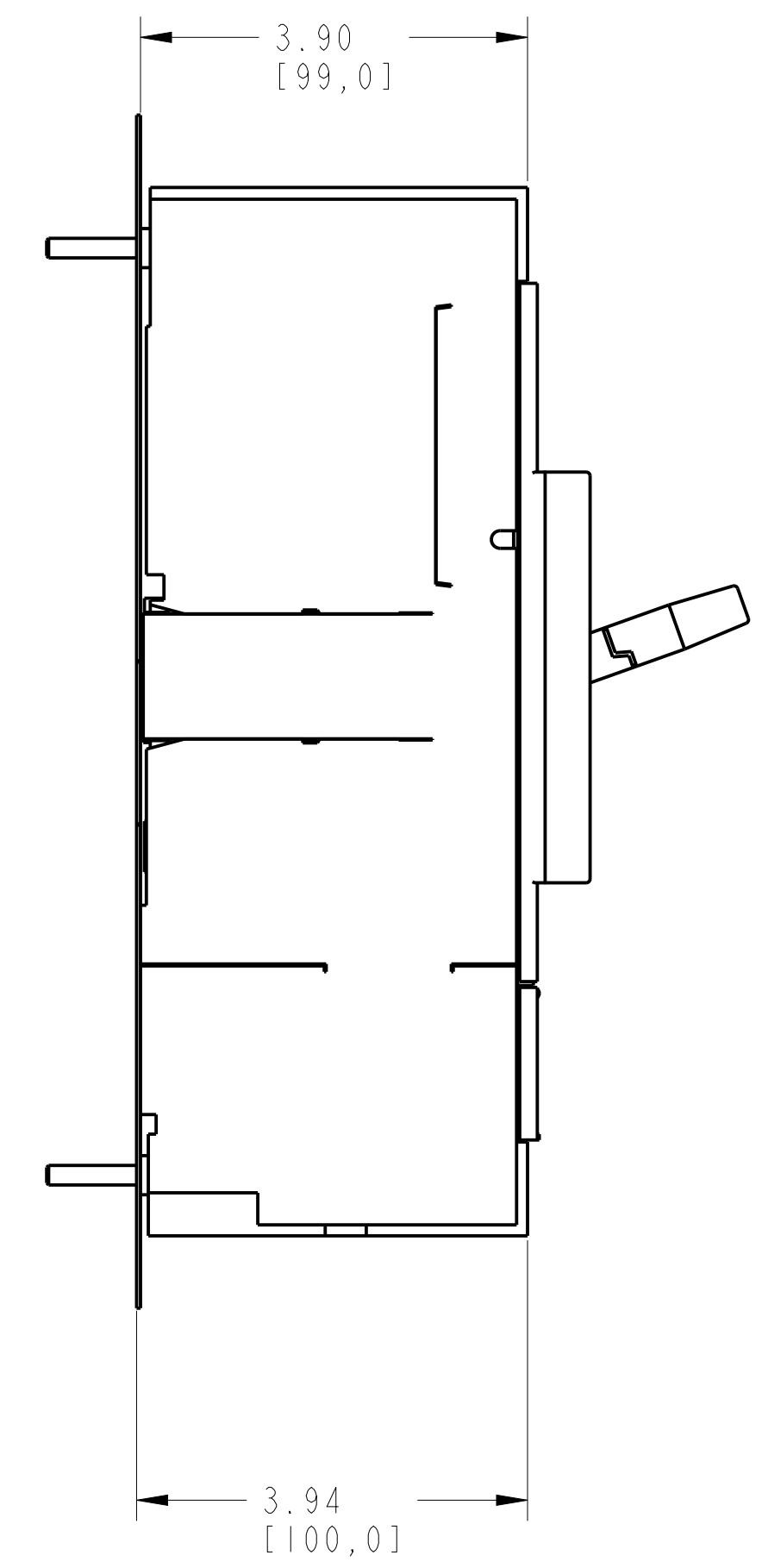
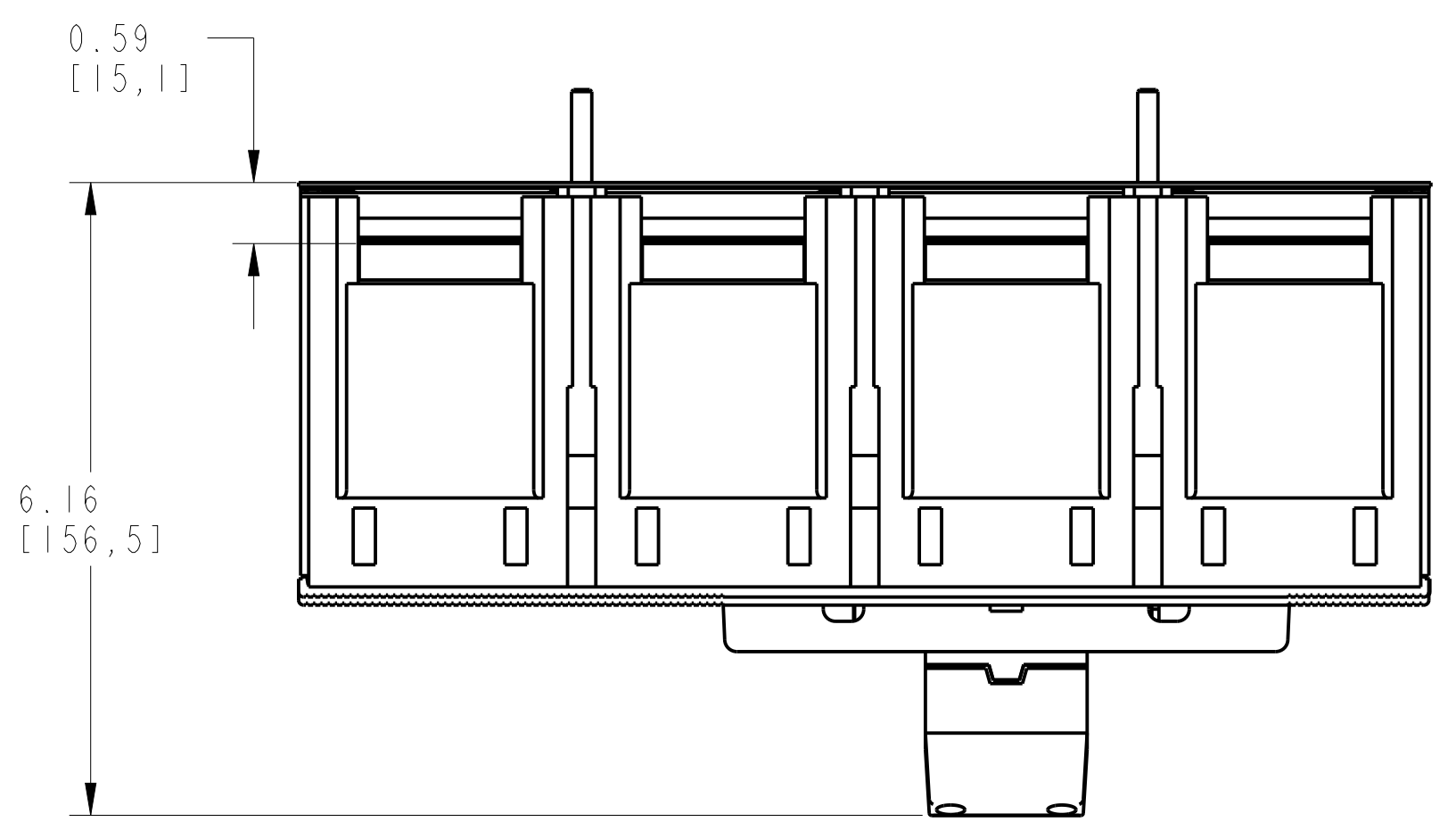
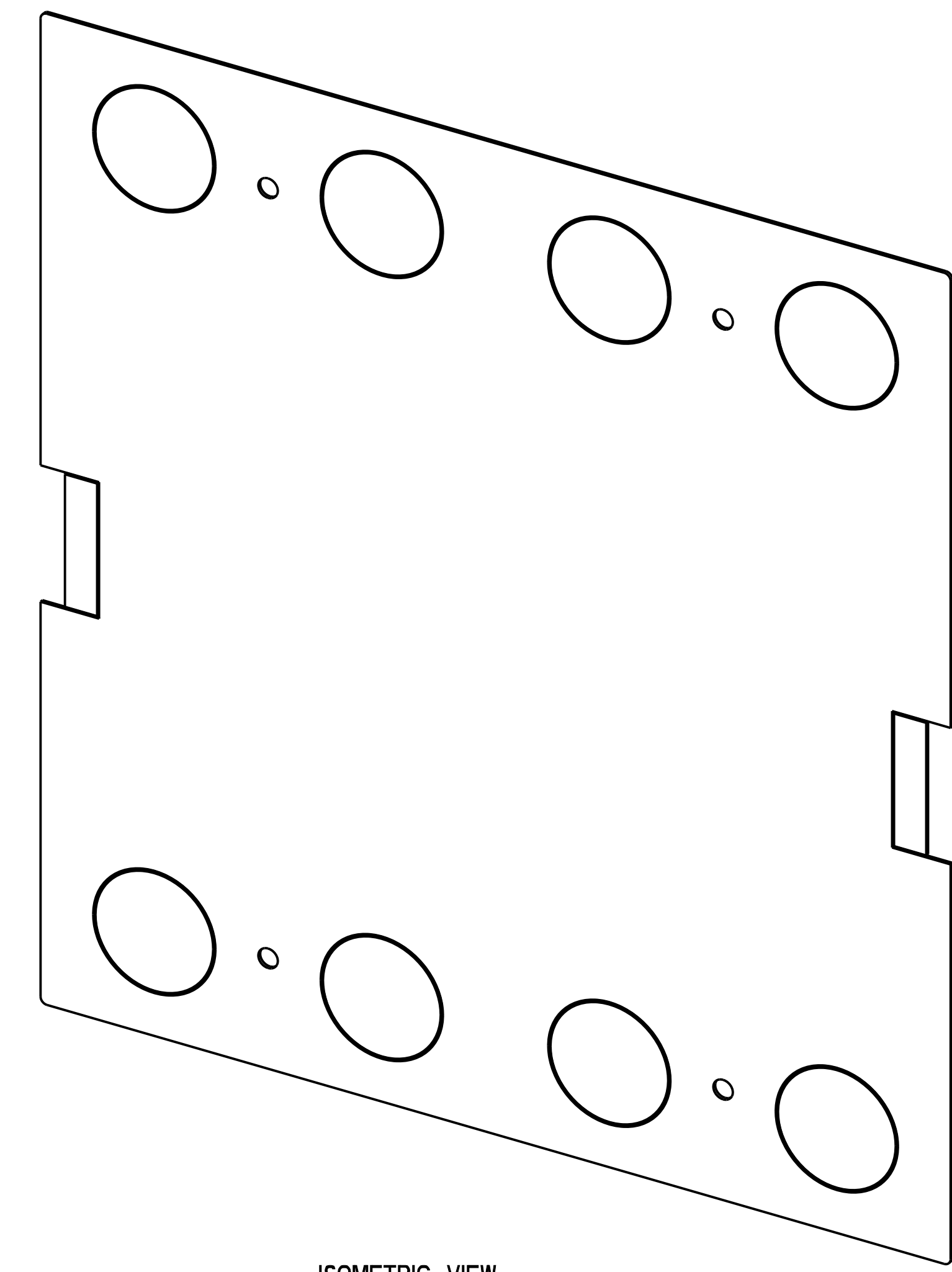
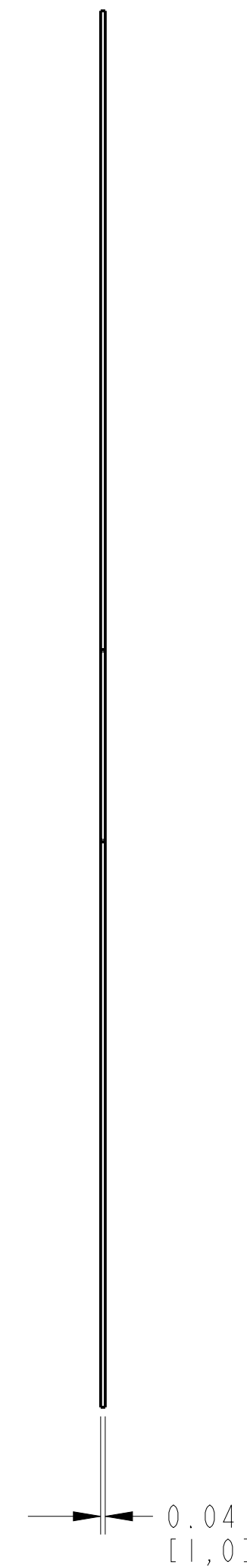
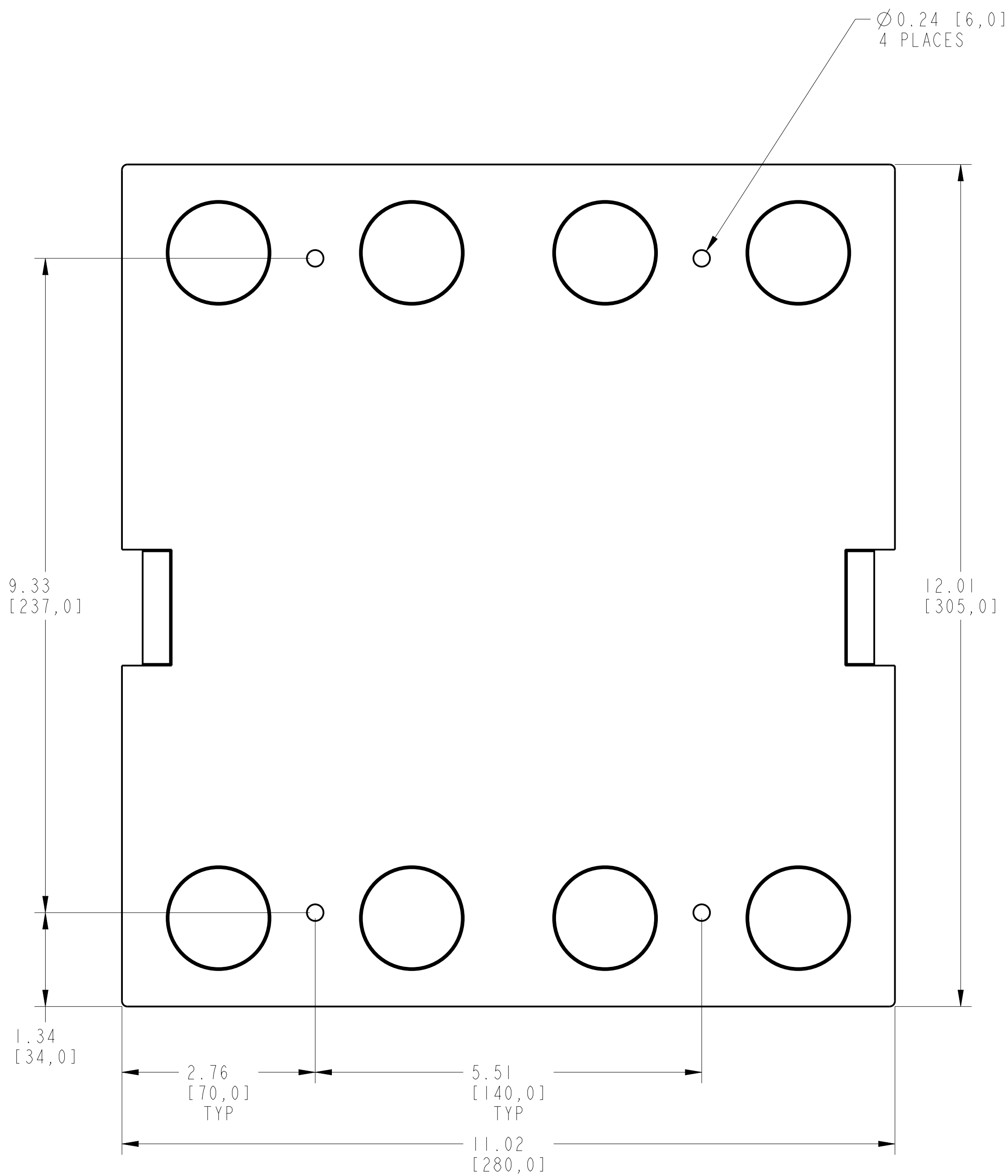


INSULATION BACK PLATE 4 POLE ASSEMBLY			
ITEM	DESCRIPTION	QTY	AB CAT NUMBER
1	MOLDED CASE CIRCUIT BREAKER	1	140G-M-4P CB
2	INSULATION BACK PLATE 4 POLE	1	140G-M-BP4



INSULATION BACK PLATE 4 POLE ASSEMBLED TO 140G-M-4-POLE
SCALE 0.60:1

		<small>CONFIDENTIAL AND PROPRIETARY INFORMATION. THIS DOCUMENT CONTAINS CONFIDENTIAL AND PROPRIETARY INFORMATION OF ROCKWELL AUTOMATION, INC. AND MAY NOT BE USED, COPIED OR DISCLOSED TO OTHERS, EXCEPT WITH THE AUTHORIZED WRITTEN PERMISSION OF ROCKWELL AUTOMATION, INC.</small>	
		Sheet 1 Of 2	
BACKPLATE ASSEMBLED TO 140G-M-4P CB		Size D	Ver 00
Drawn by: UMUNUSW		Date: OCT-25-2013	



ISOMETRIC VIEW

ITEM 2 : INSULATION BACK PLATE 4 POLE
SCALE 0.80:1

		<small>CONFIDENTIAL AND PROPRIETARY INFORMATION. THIS DOCUMENT CONTAINS CONFIDENTIAL AND PROPRIETARY INFORMATION OF ROCKWELL AUTOMATION, INC. AND MAY NOT BE USED, COPIED OR DISCLOSED TO OTHERS, EXCEPT WITH THE AUTHORIZED WRITTEN PERMISSION OF ROCKWELL AUTOMATION, INC.</small>	
		Sheet 2 Of 2	
BACKPLATE ASSEMBLED TO 140G-M-4P CB		Size D	Ver 00
Drawn by: UMUNUSW	Date: OCT-25-2013	10000857058	