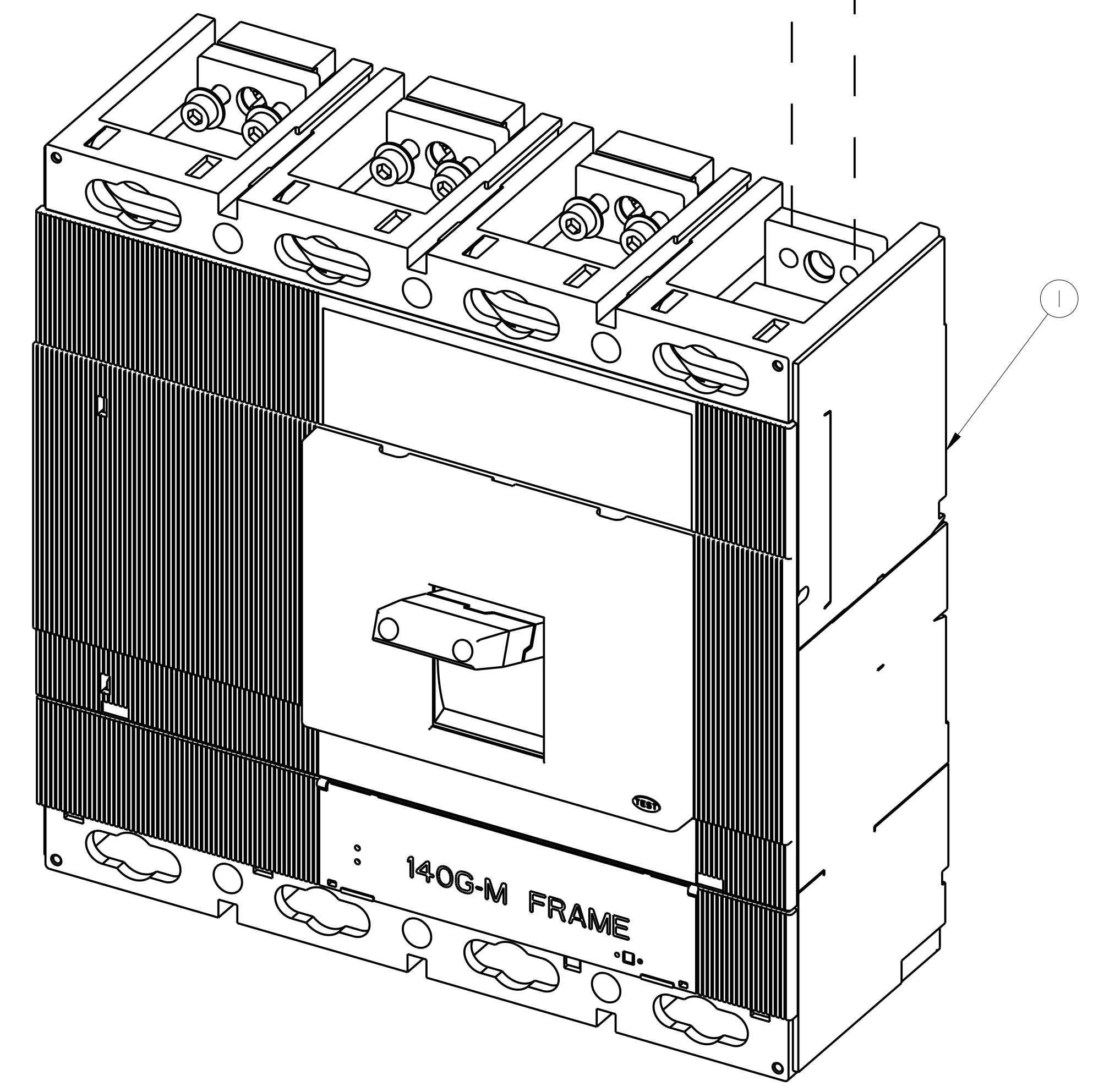
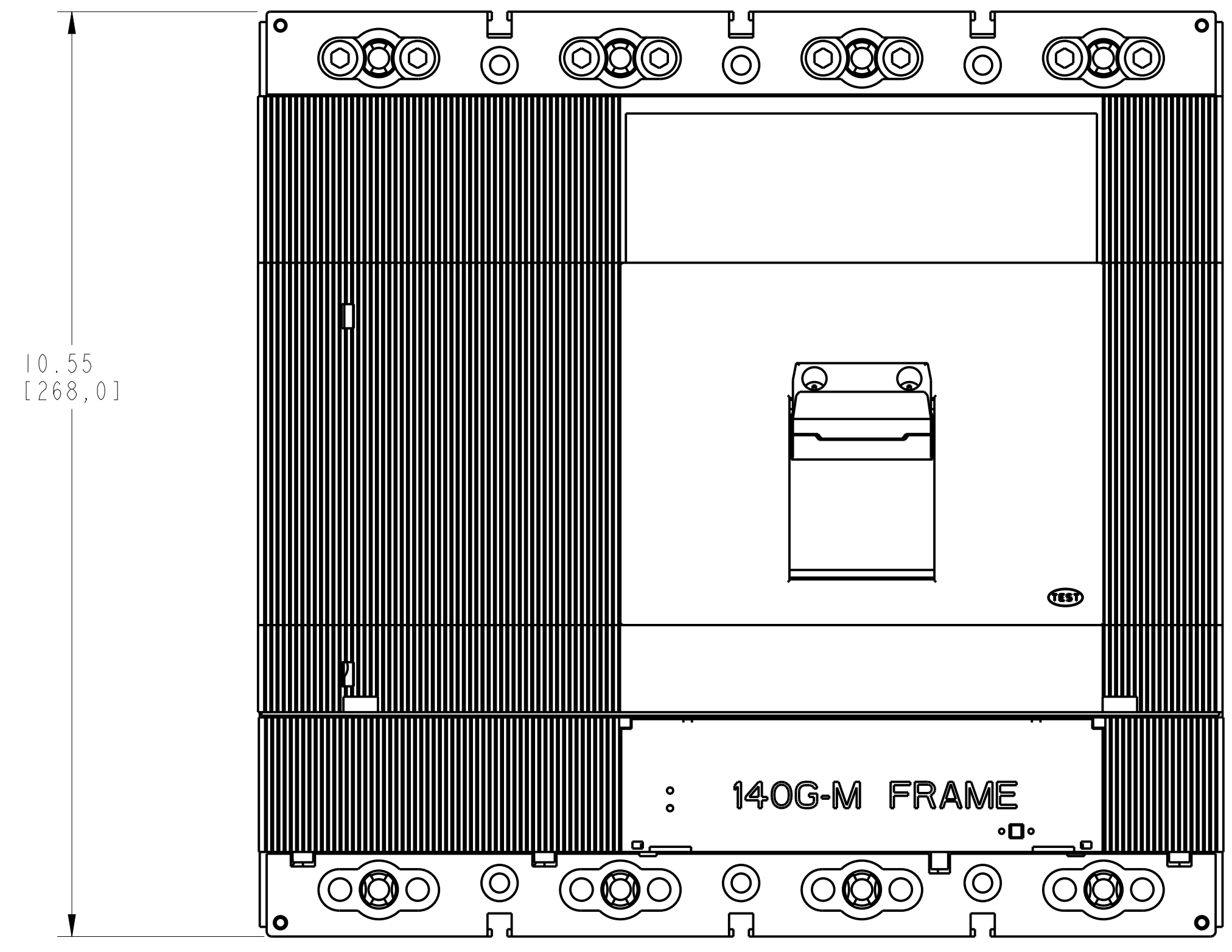
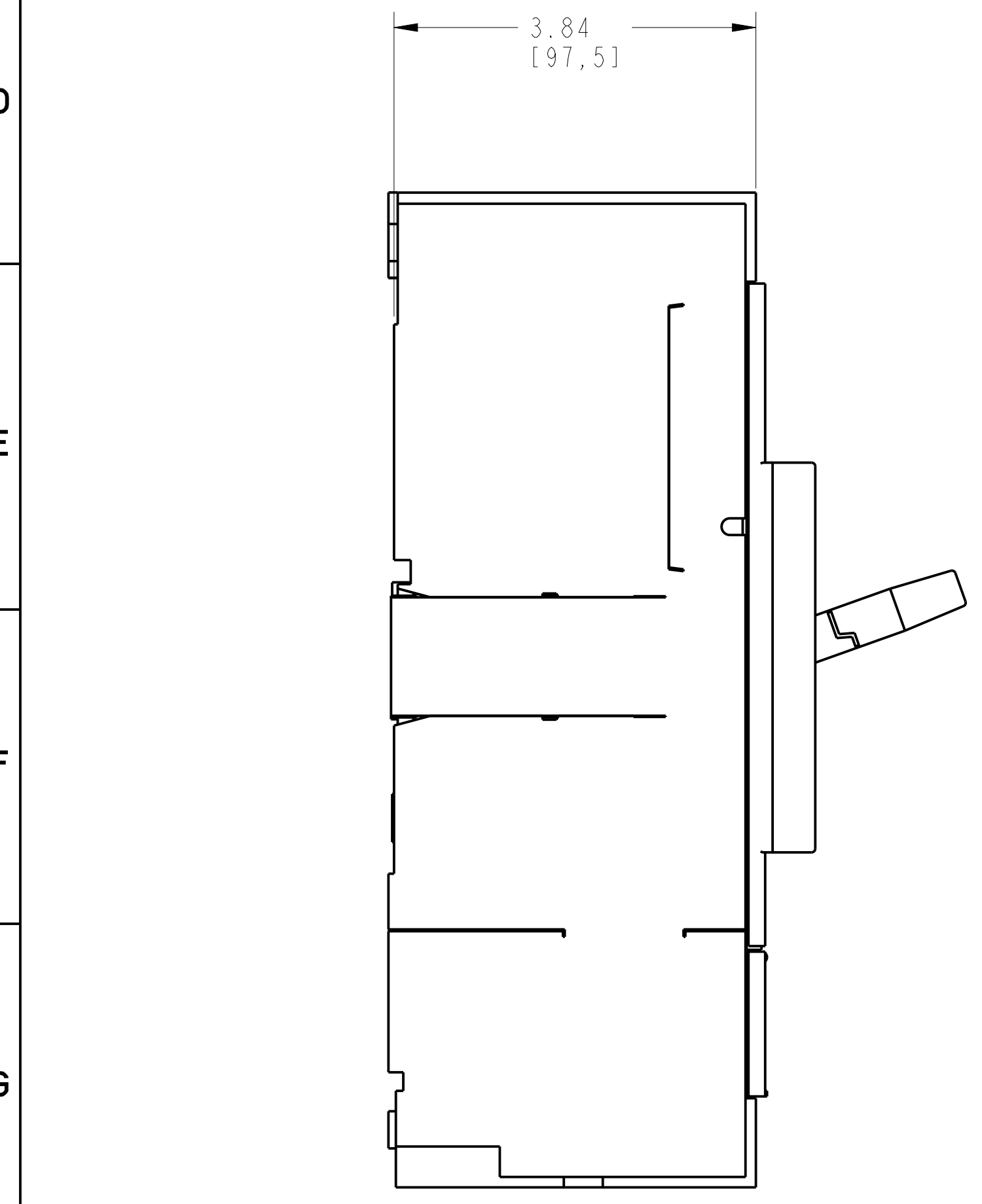
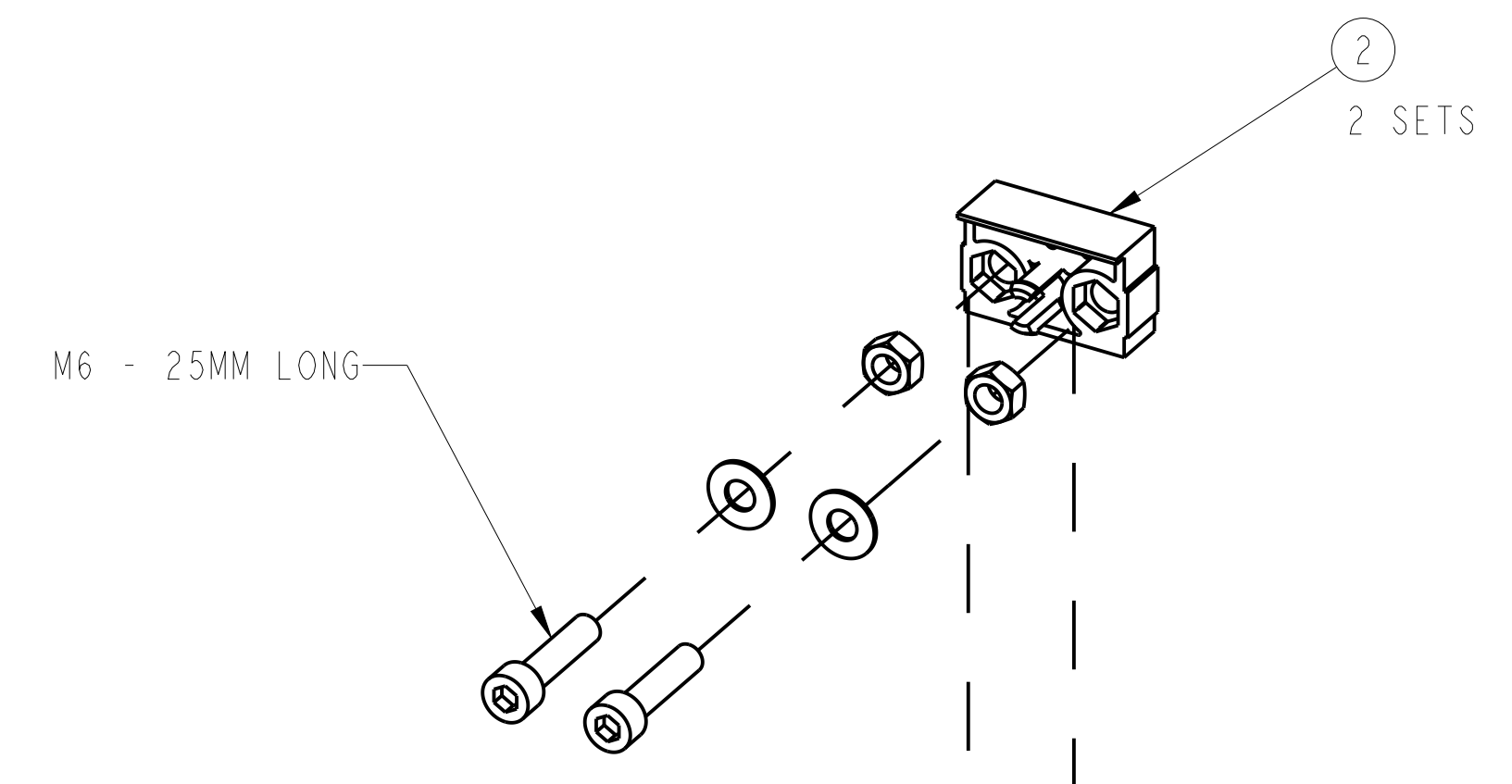
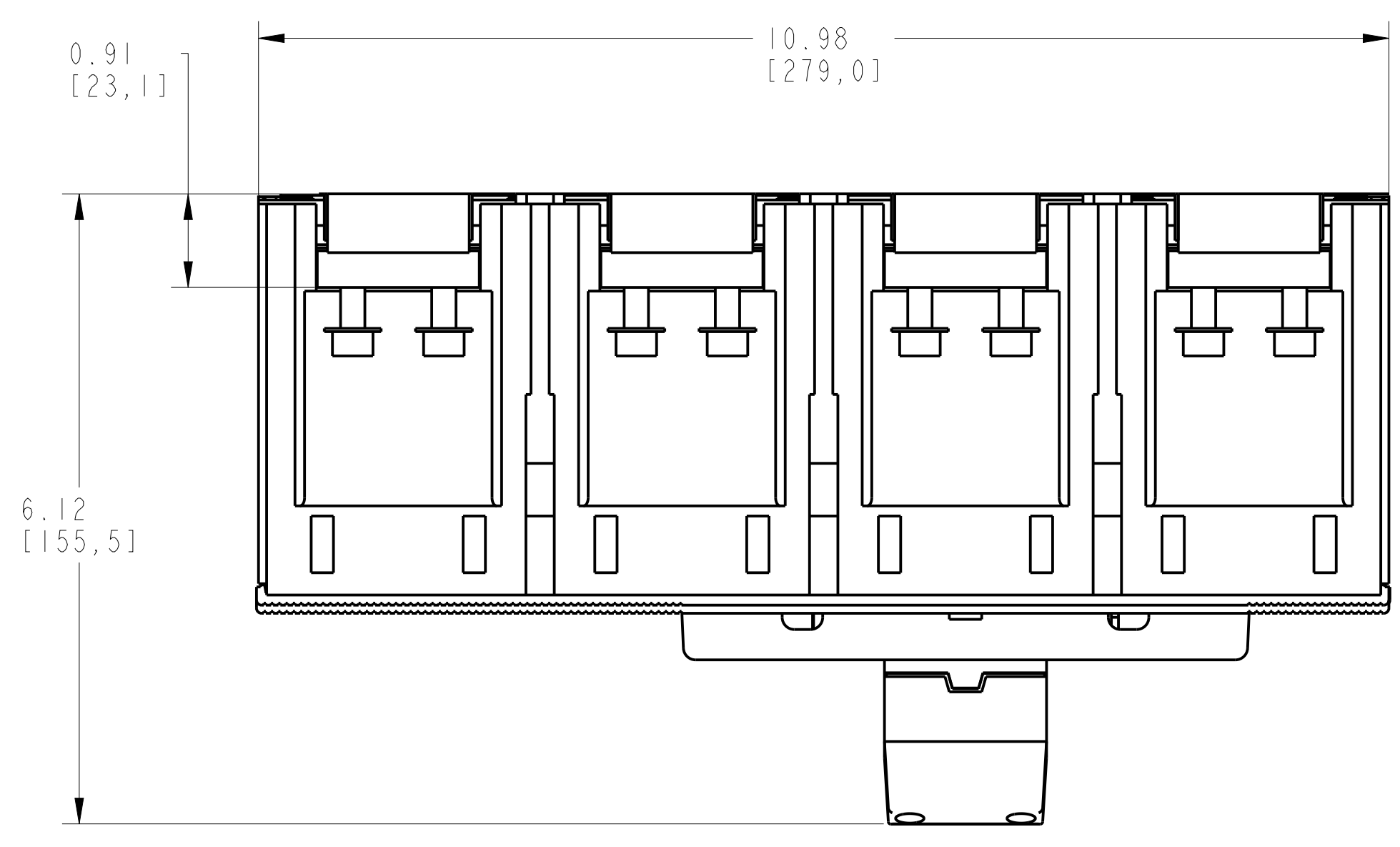


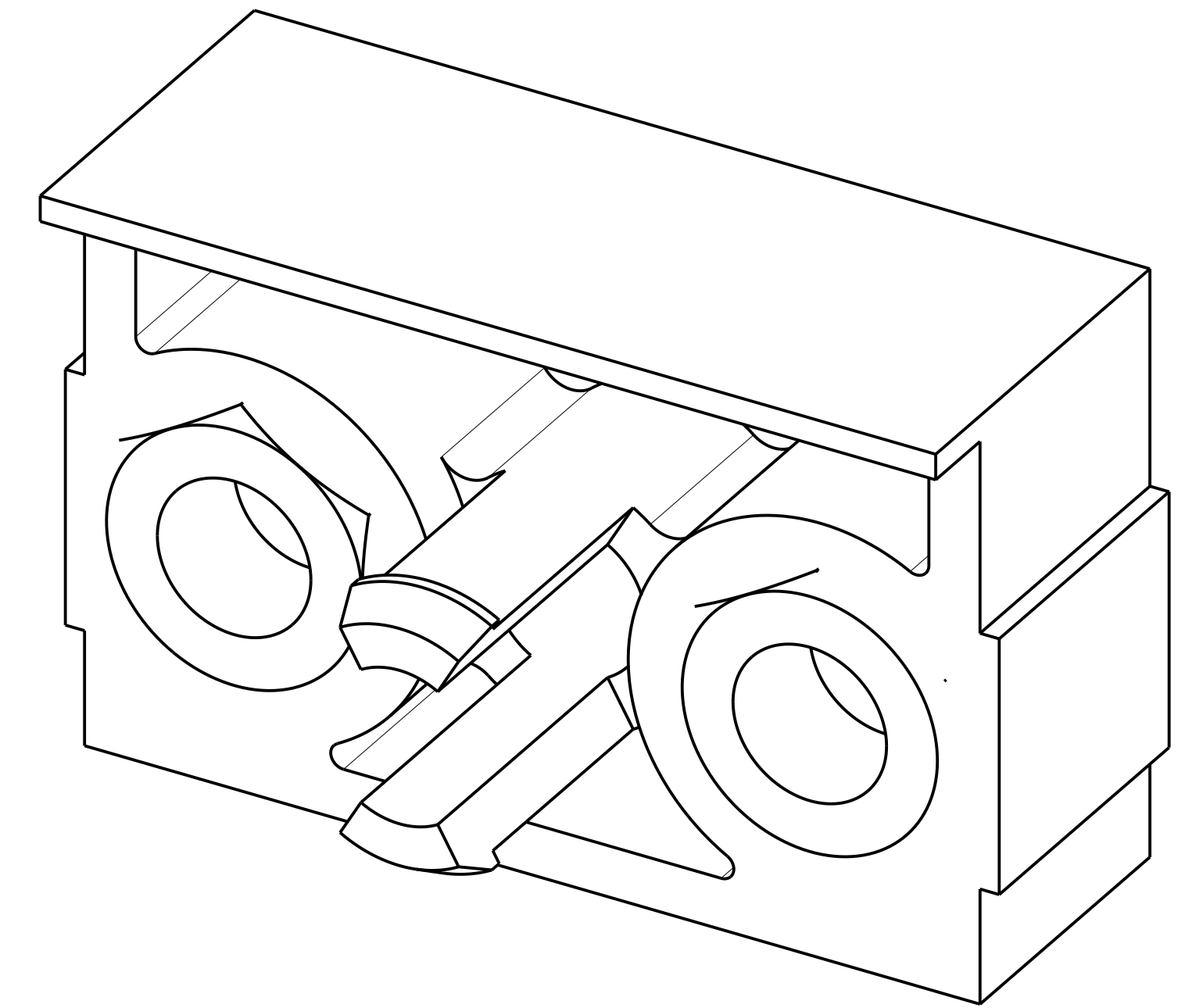
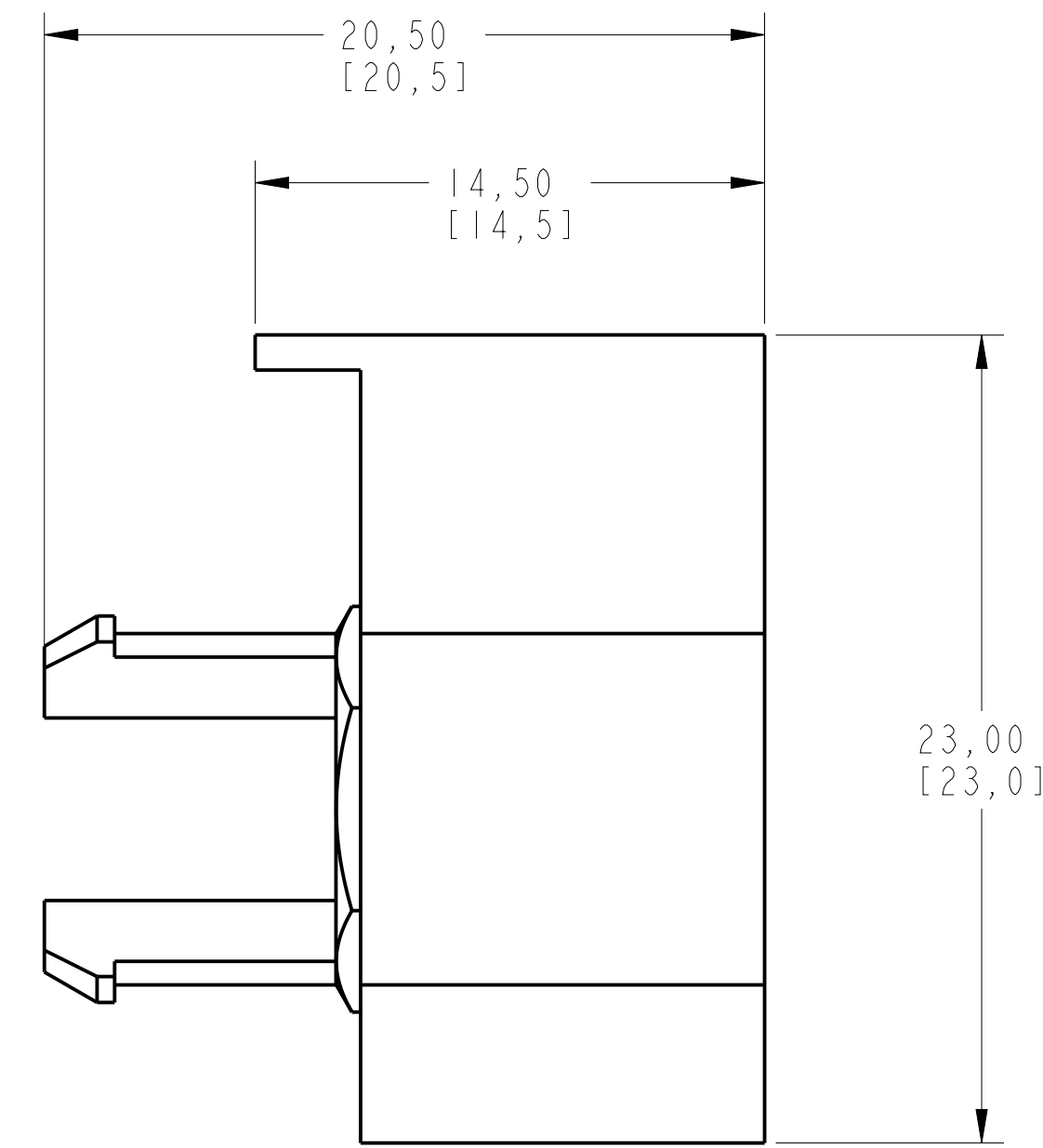
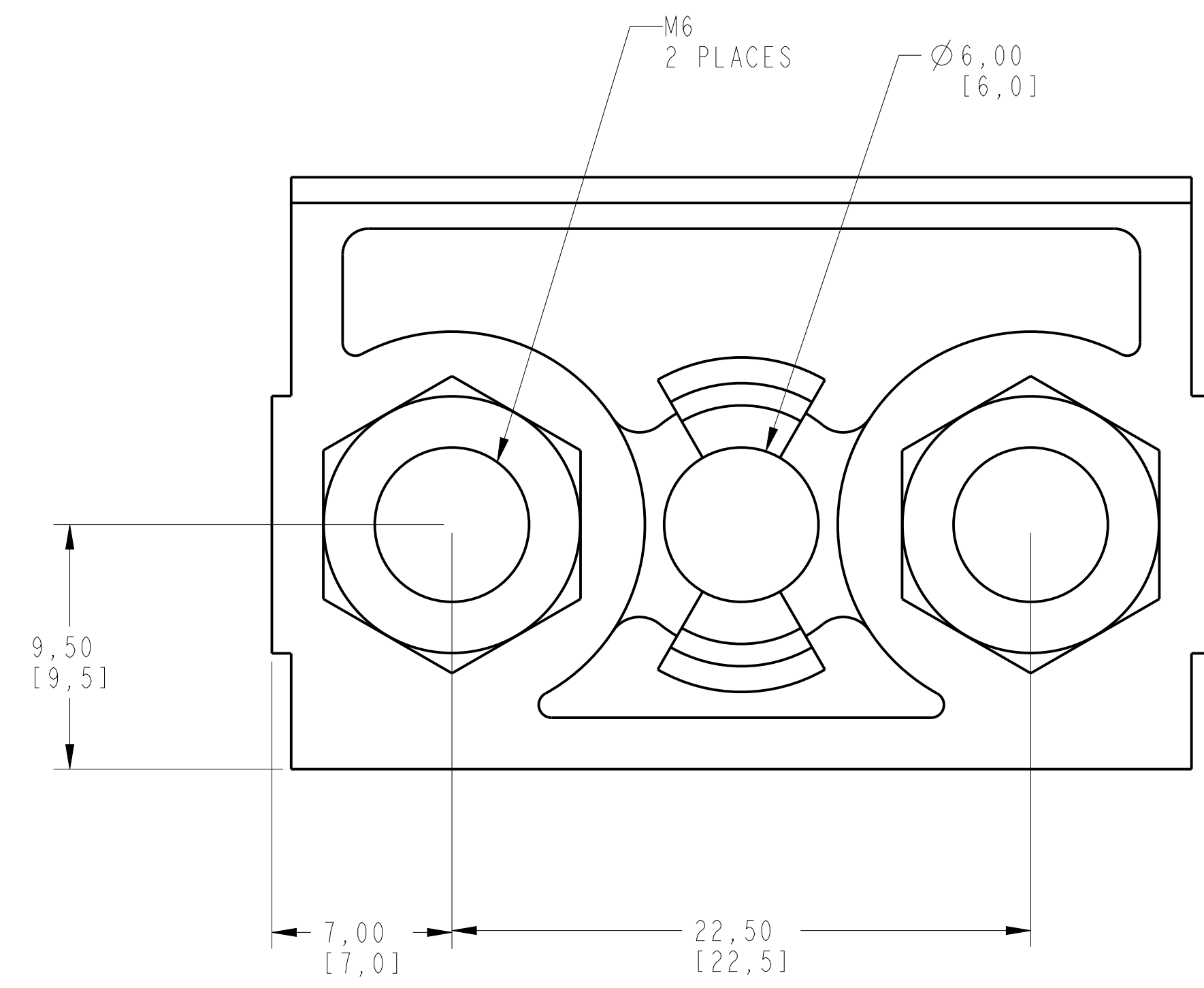
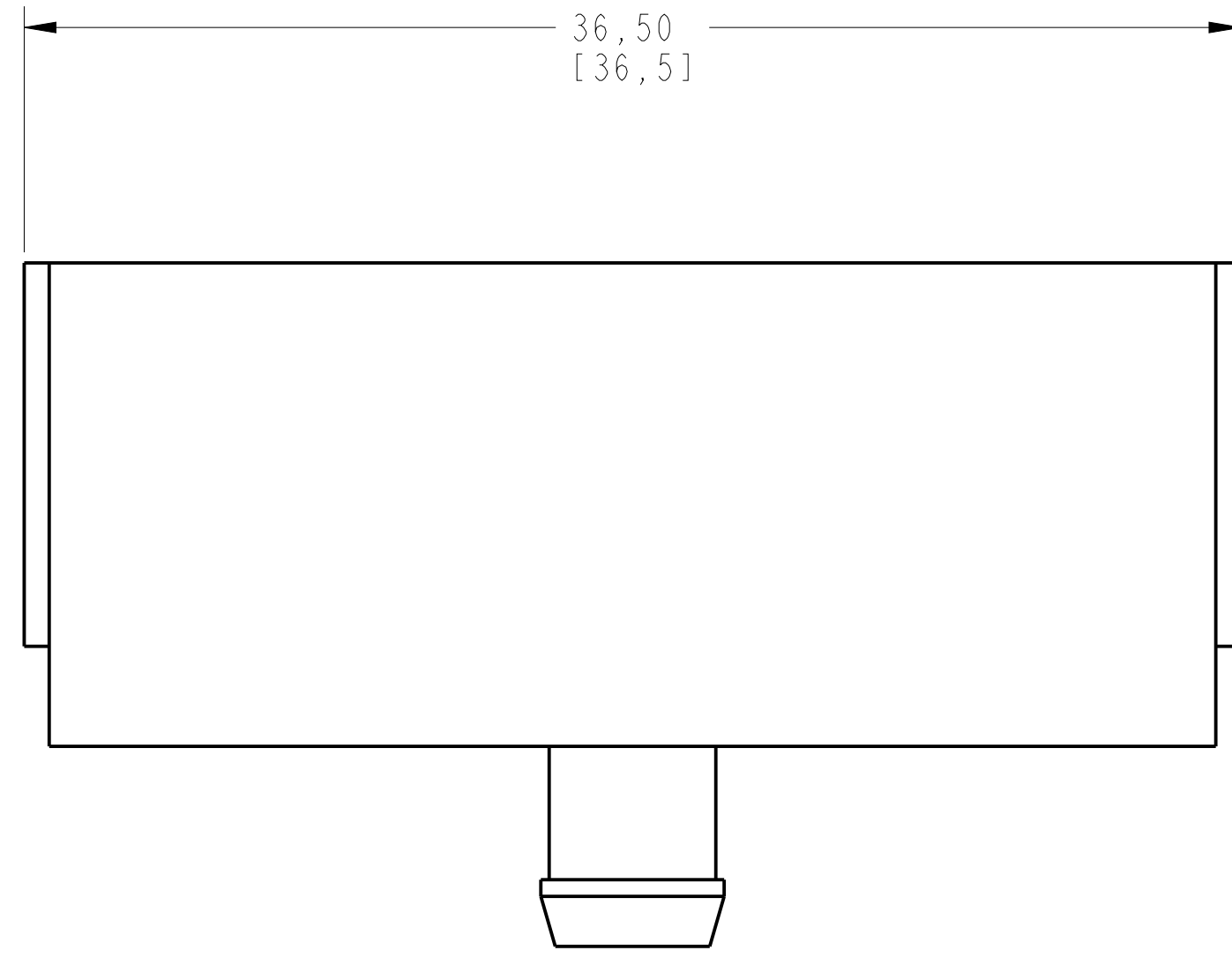
| ENDCAP KIT ASSEMBLY | | | |
|---------------------|-----------------------------|--------|---------------|
| ITEM | DESCRIPTION | QTY | AB CAT NUMBER |
| 1 | MOLDED CASE CIRCUIT BREAKER | 1 | 140G-M-4P CB |
| 2 | ENDCAP KIT (4 PCS) | 2 SETS | 140G-M-ECM4 |



ENDCAP KIT ASSEMBLED TO 140G-M-4-POLE
SCALE 0.75:1

1 2 3 4 5 6 7 8

A
B
C
D
E
F
G
H



ISOMETRIC VIEW

ITEM 3 : ENDCAP KIT
SCALE 5:1

| | | | |
|--------------------------------------|-------------------|--|------------------|
| | | <small>CONFIDENTIAL AND PROPRIETARY INFORMATION. THIS DOCUMENT CONTAINS CONFIDENTIAL AND PROPRIETARY INFORMATION OF ROCKWELL AUTOMATION, INC. AND MAY NOT BE USED, COPIED OR DISCLOSED TO OTHERS, EXCEPT WITH THE AUTHORIZED WRITTEN PERMISSION OF ROCKWELL AUTOMATION, INC.</small> | |
| | | Sheet 2 Of 2 | |
| ENDCAP KIT ASSEMBLED TO 140G-M-4-POL | | Size D | Ver 00 |
| Drawn by: UMUNUSW | Date: DEC-05-2013 | 10000909454 | |