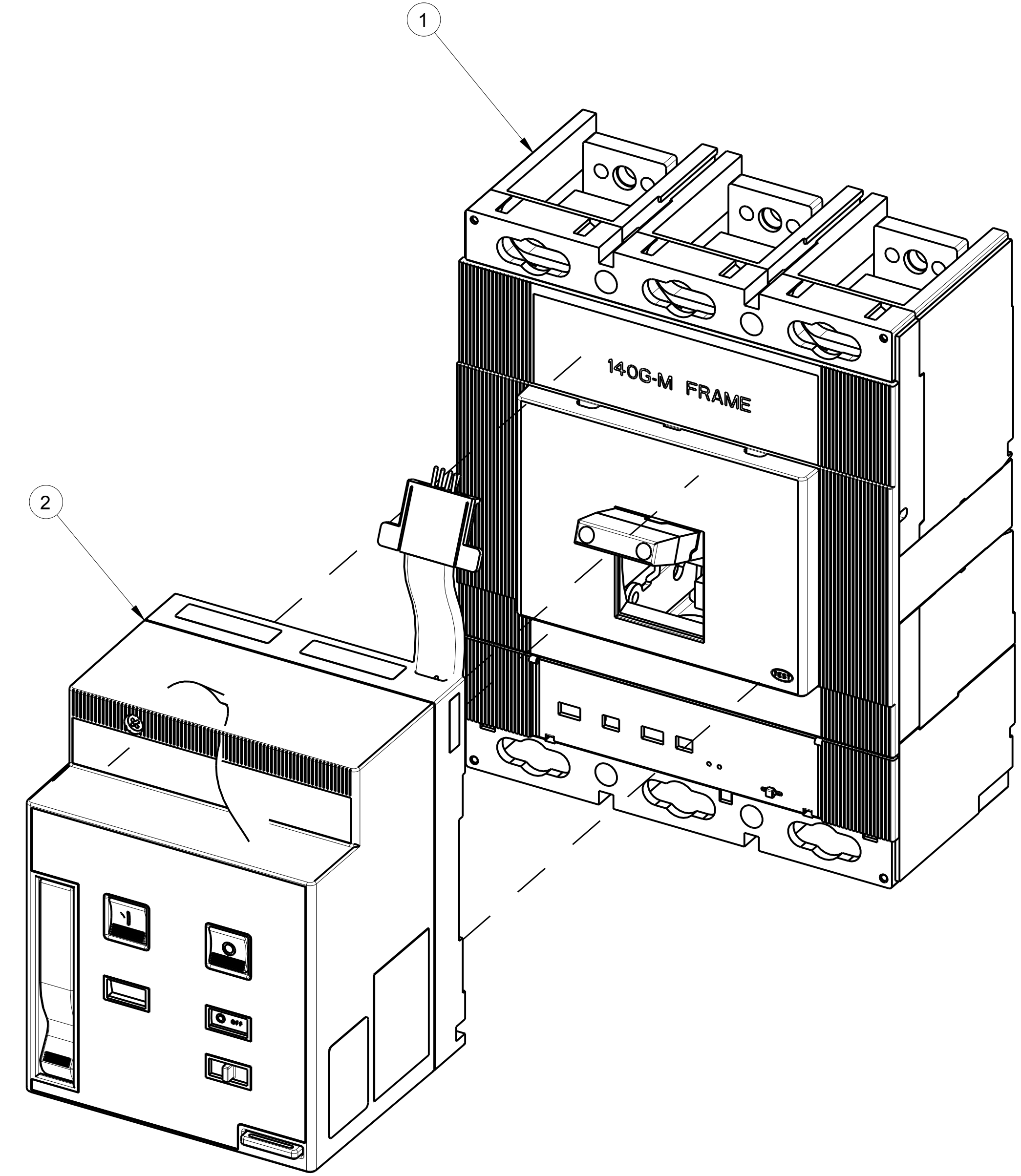
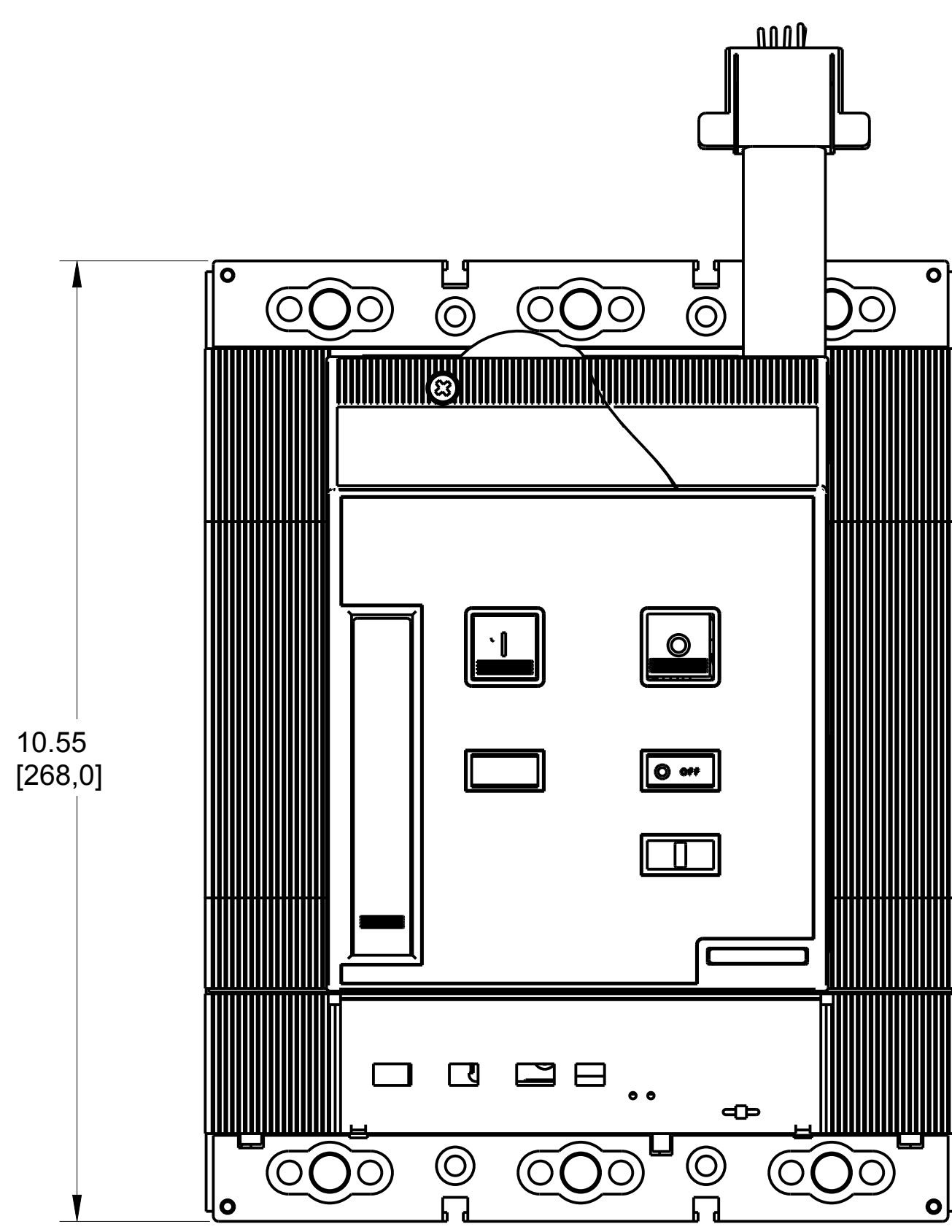
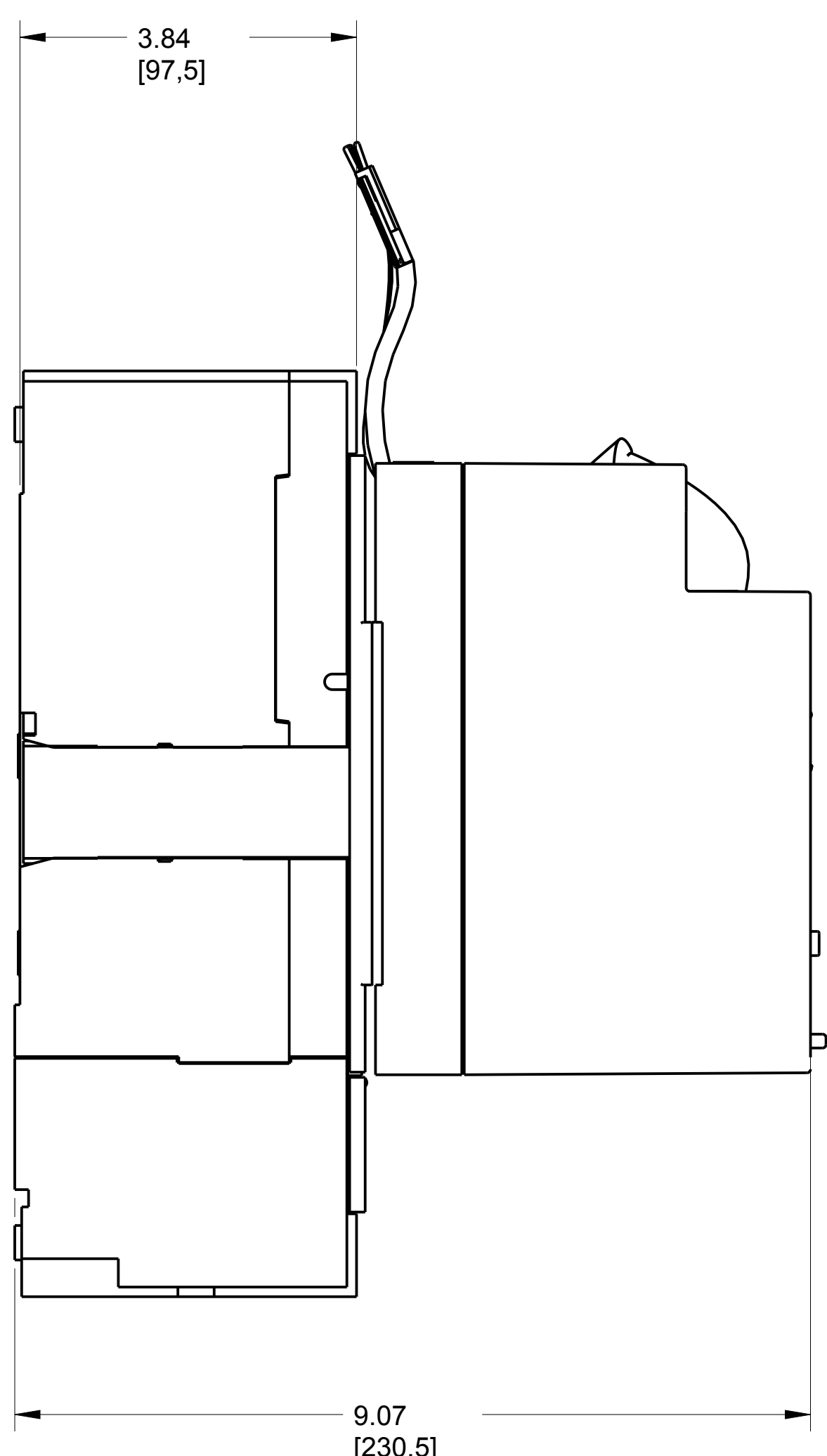
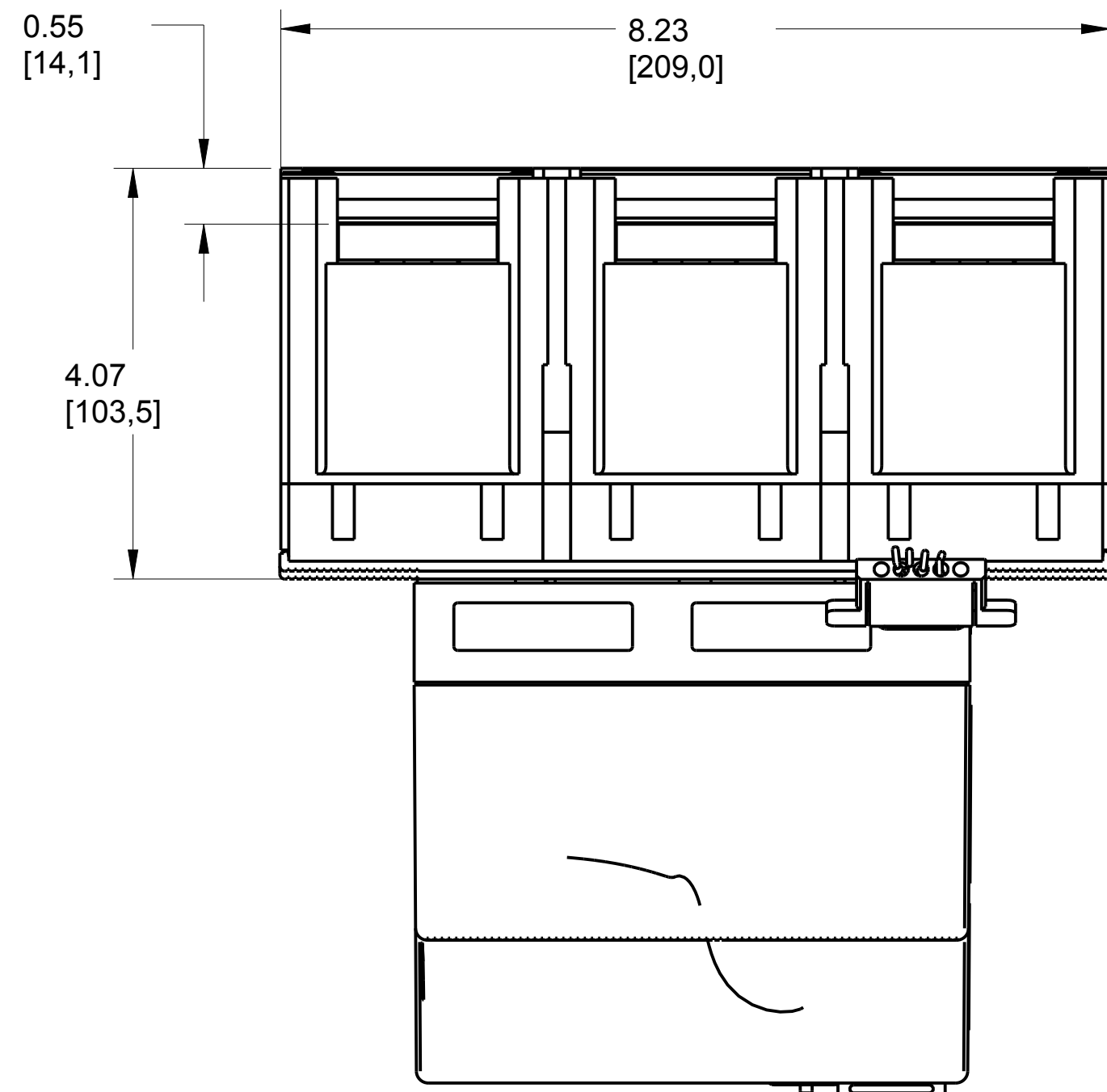


1 2 3 4 5 6 7 8

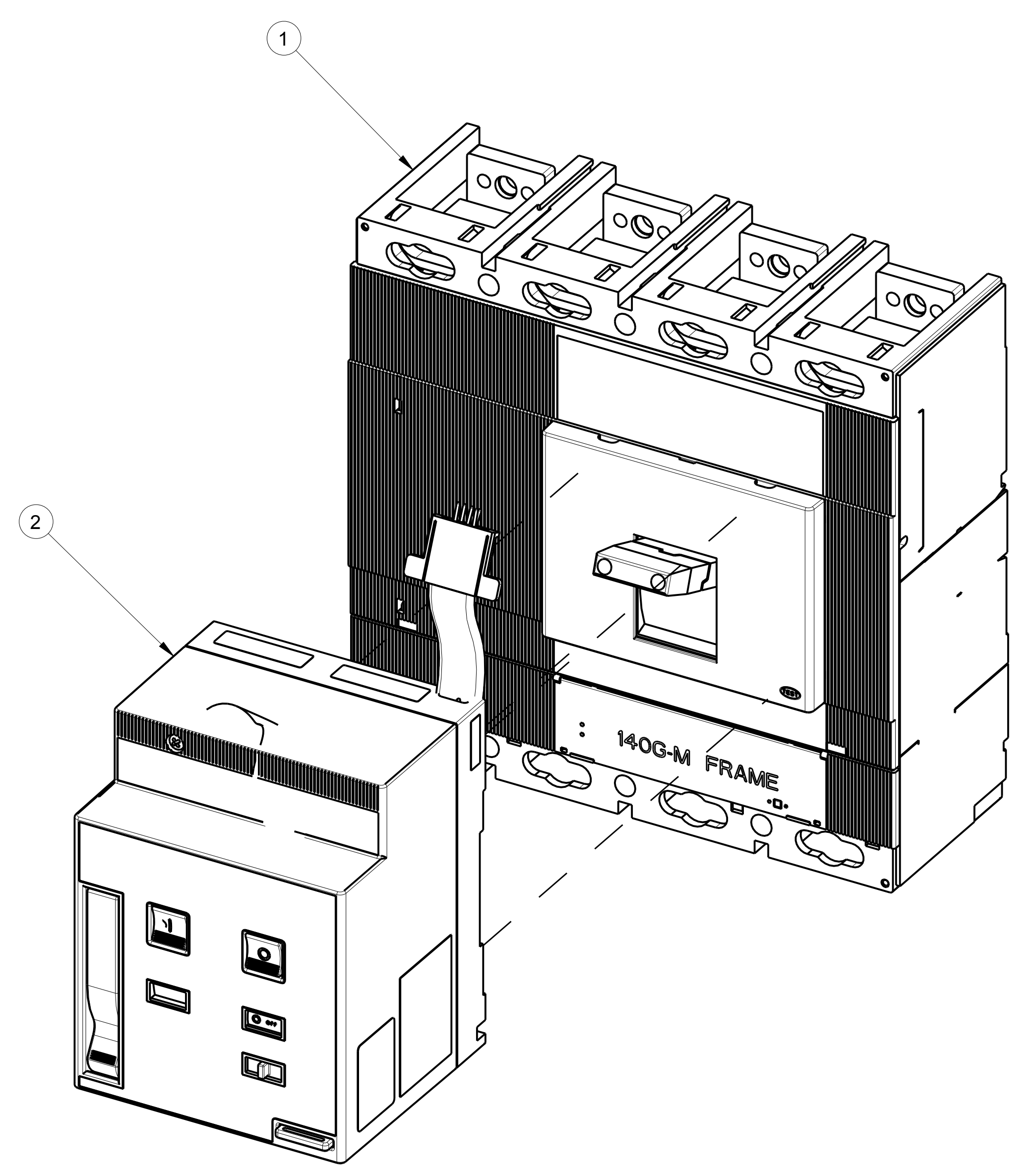
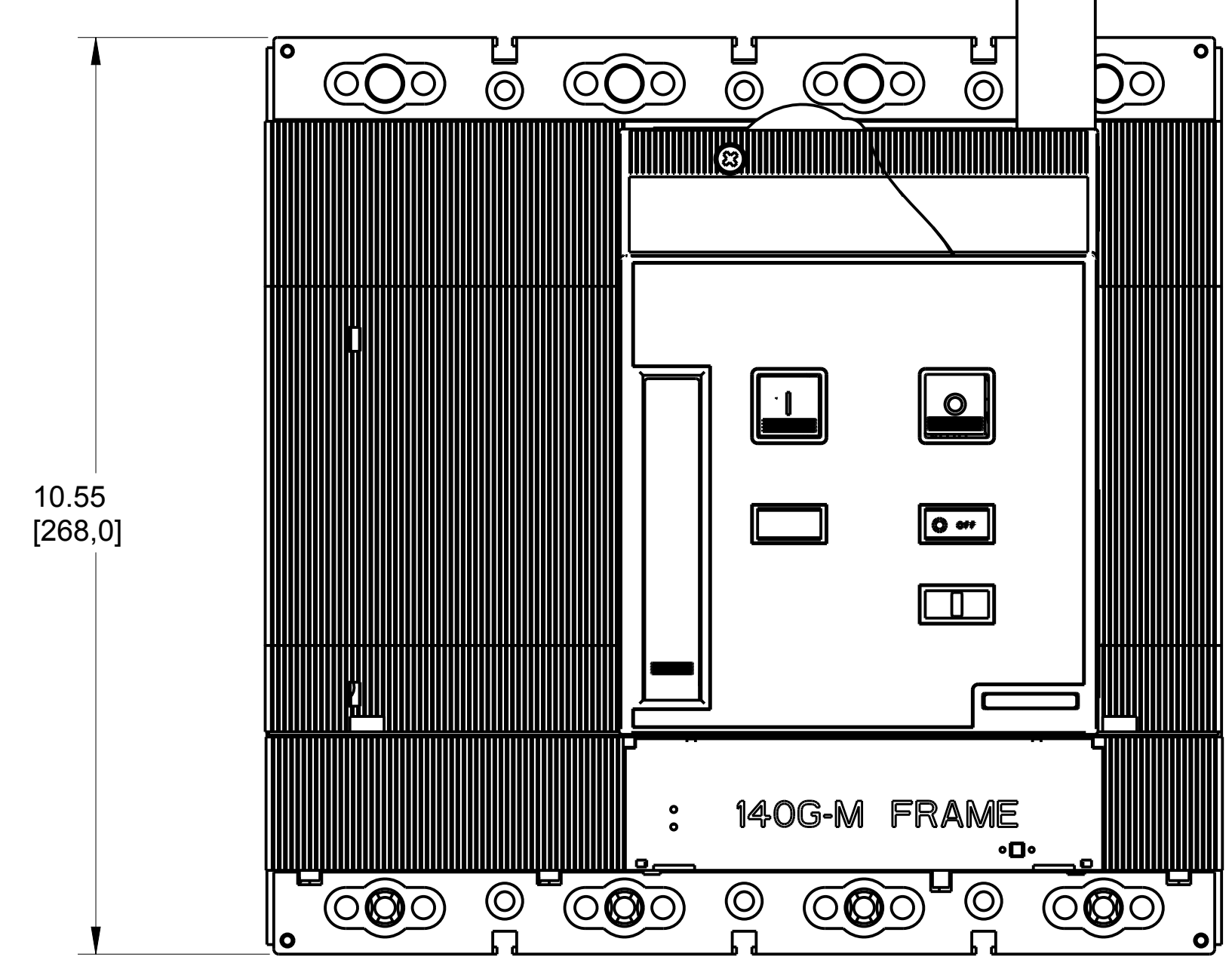
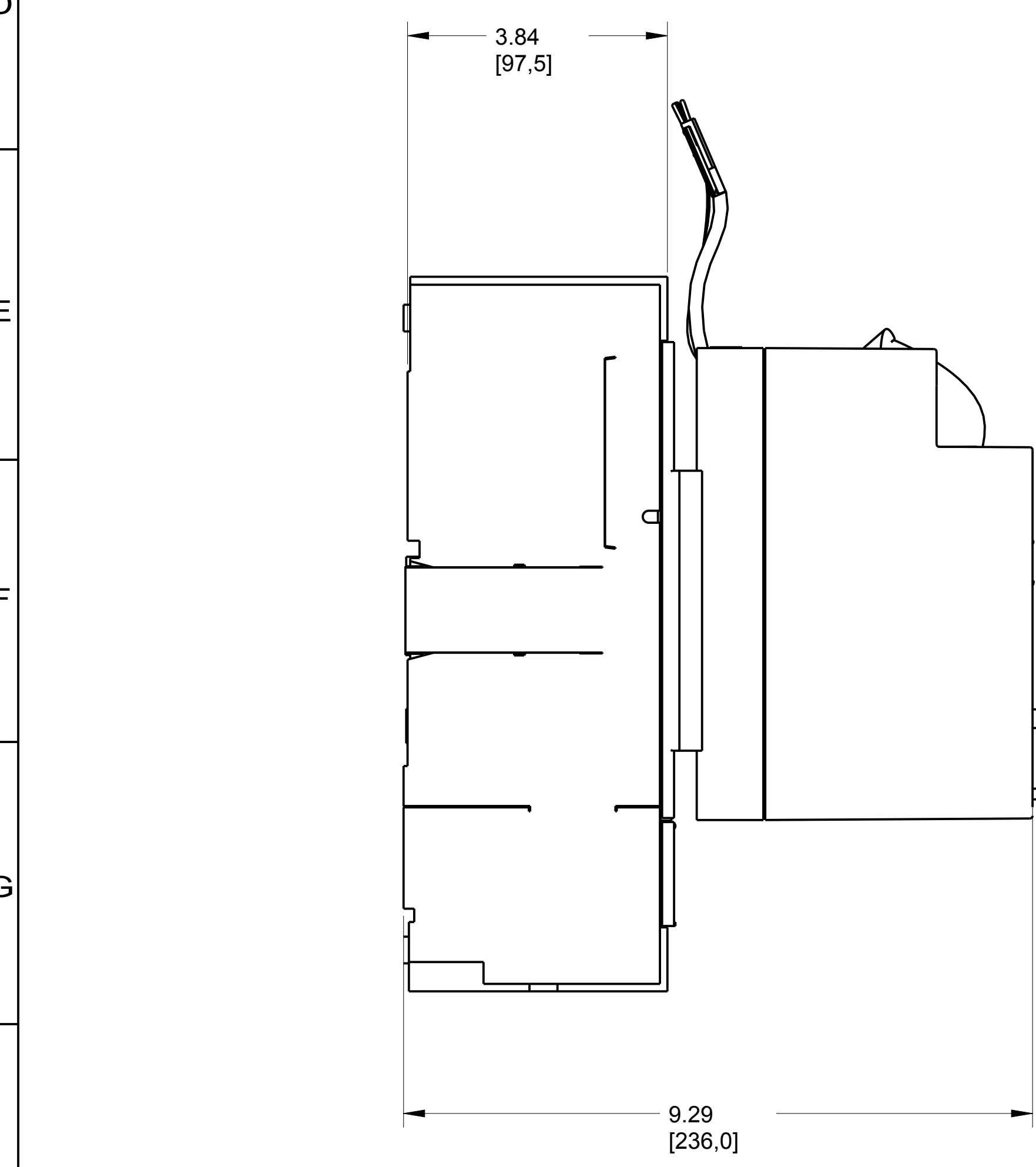
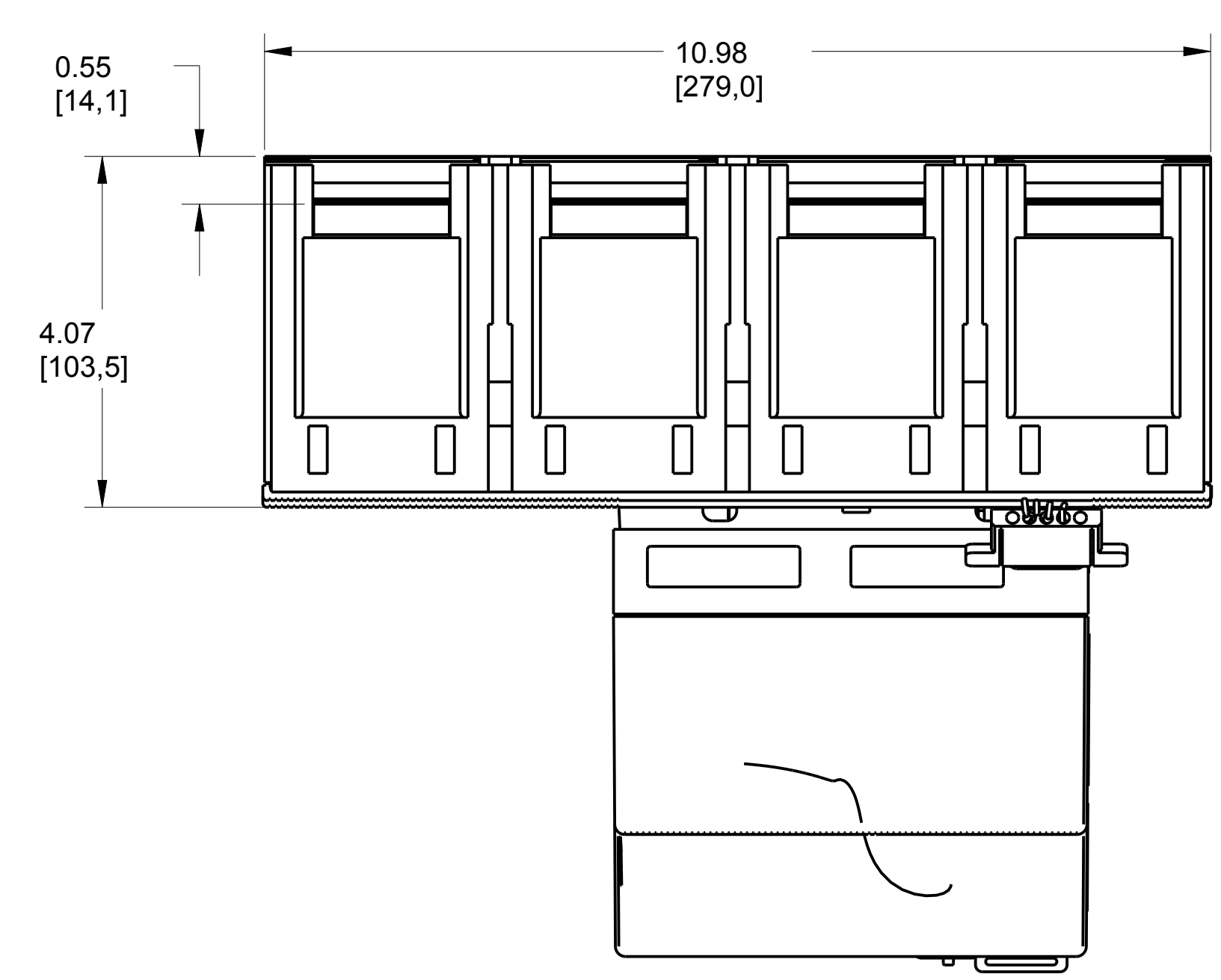
MOTOR OPERATOR ASSEMBLY

ITEM	DESCRIPTION	QTY	AB CAT NUMBER
1	MOLDED CASE CIRCUIT BREAKER	1	140G-M-3P CB
2	MOTOR OPERATOR	1	140G-M-EOPJ

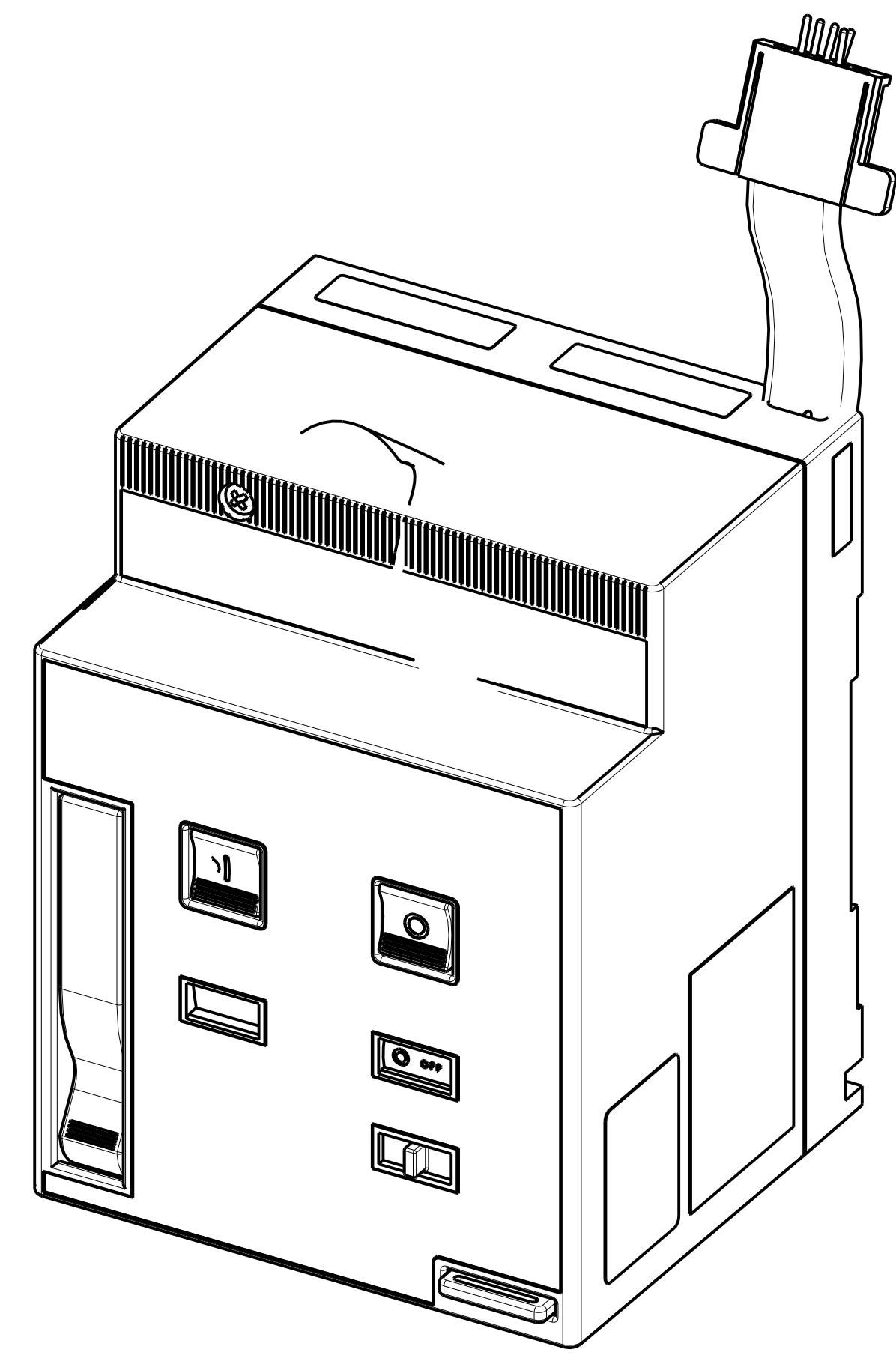
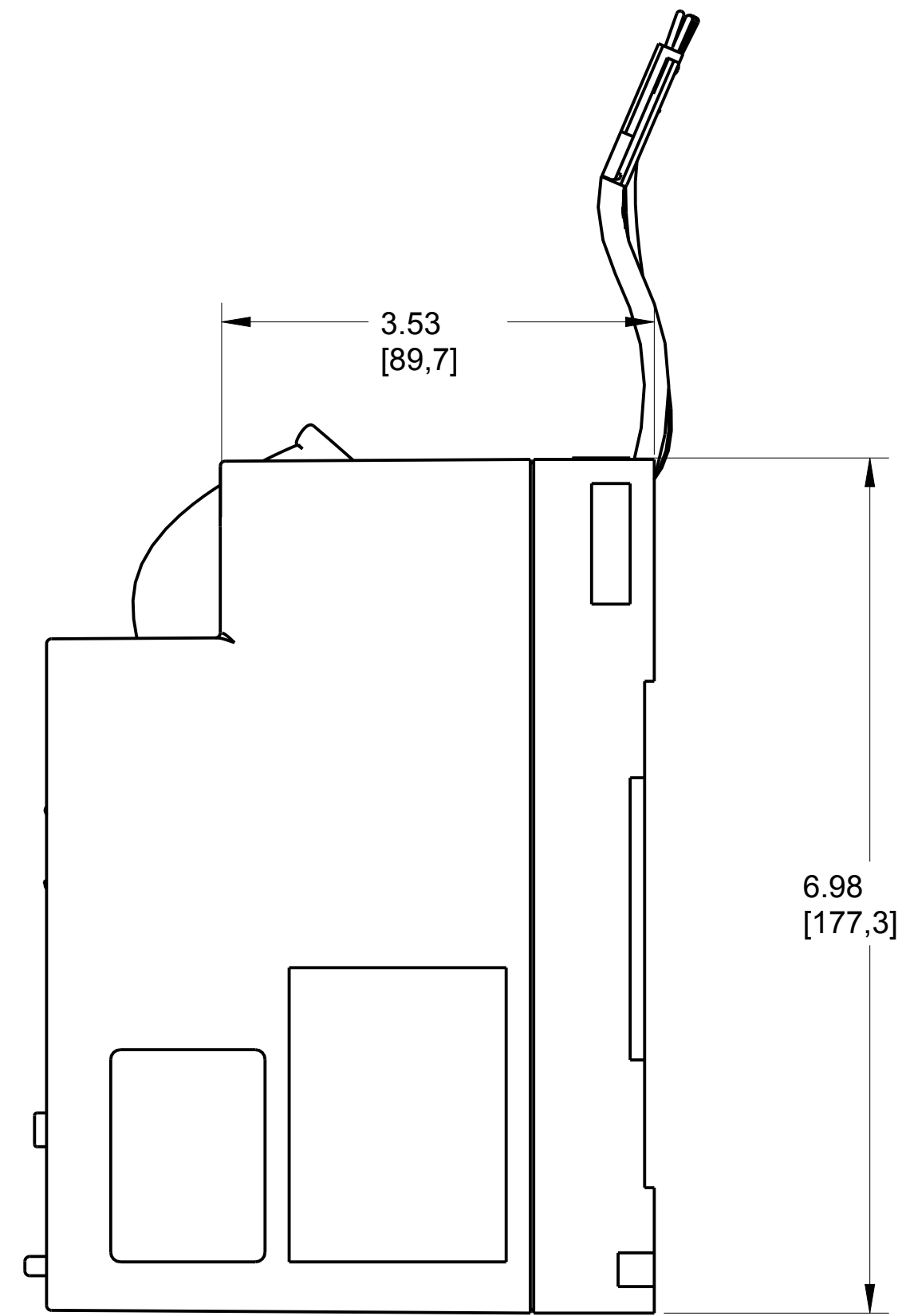
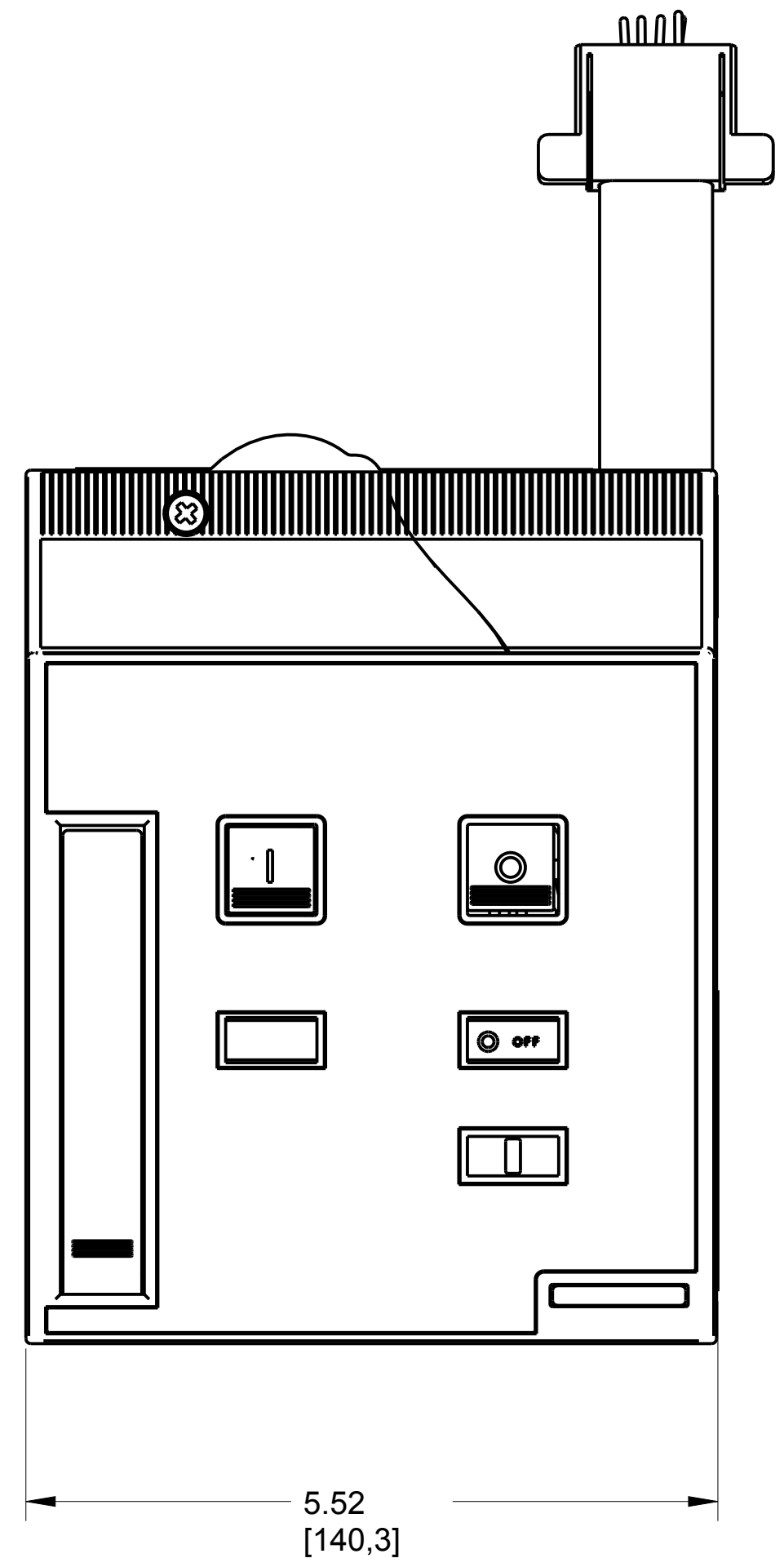
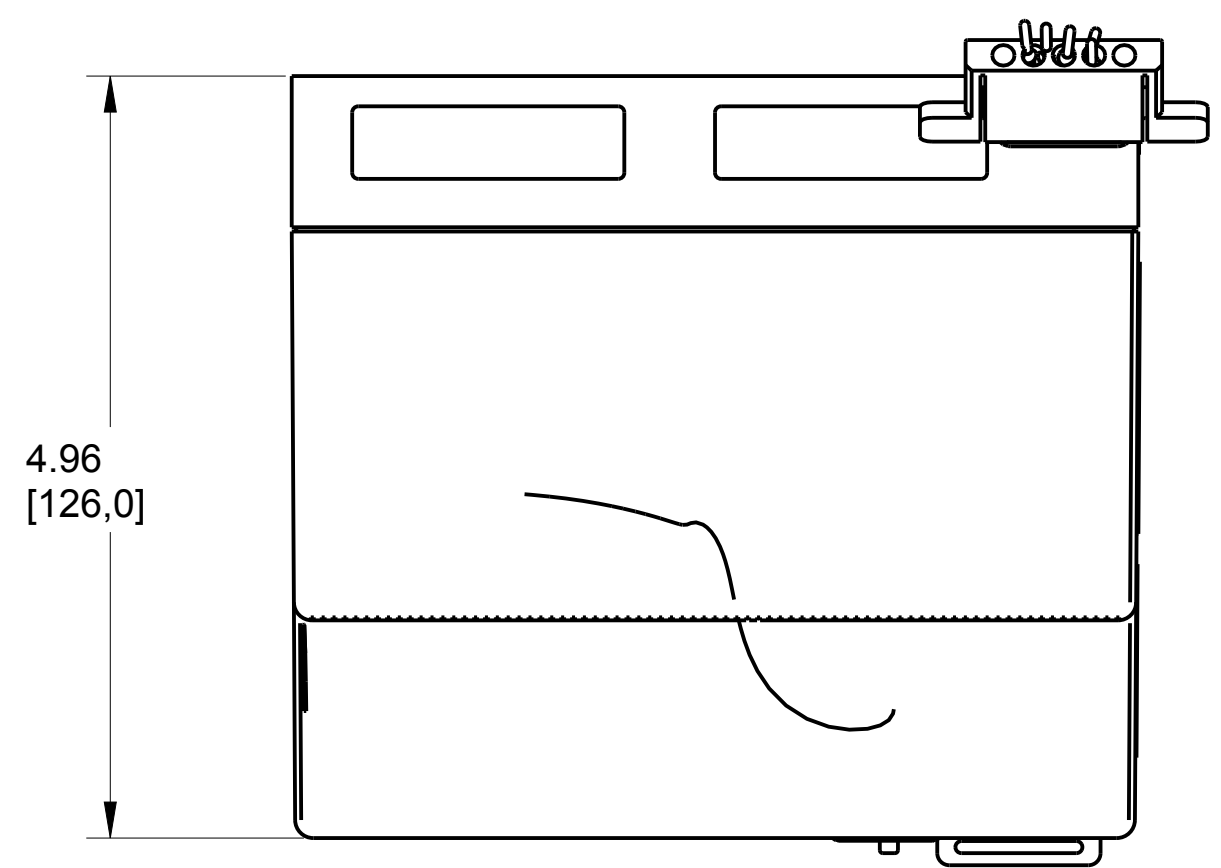


MOTOR OPERATOR ASSEMBLED TO 140G-M-3-POLE
SCALE 0.65:1

MOTOR OPERATOR ASSEMBLY			
ITEM	DESCRIPTION	QTY	AB CAT NUMBER
1	MOLDED CASE CIRCUIT BREAKER	1	140G-M-4P CB
2	MOTOR OPERATOR	1	140G-M-EOPJ



MOTOR OPERATOR ASSEMBLED TO 140G-M-4-POLE
SCALE 0.6:1



ISOMETRIC VIEW

ITEM 2 : MOTOR OPERATOR
SCALE 0.8:1

		<small>CONFIDENTIAL AND PROPRIETARY INFORMATION THIS DOCUMENT CONTAINS CONFIDENTIAL AND PROPRIETARY INFORMATION OF ROCKWELL AUTOMATION, INC. AND MAY NOT BE USED, COPIED OR DISCLOSED TO OTHERS, EXCEPT WITH THE AUTHORIZED WRITTEN PERMISSION OF ROCKWELL AUTOMATION, INC.</small>	
		Sheet 3 Of 3	Ver 00
EOPJ ASSEMBLED TO 140G-M-3P & 4P CB		Size D	10000888358
Drawn by: UMUNUSW	Date: 12-Dec-13		