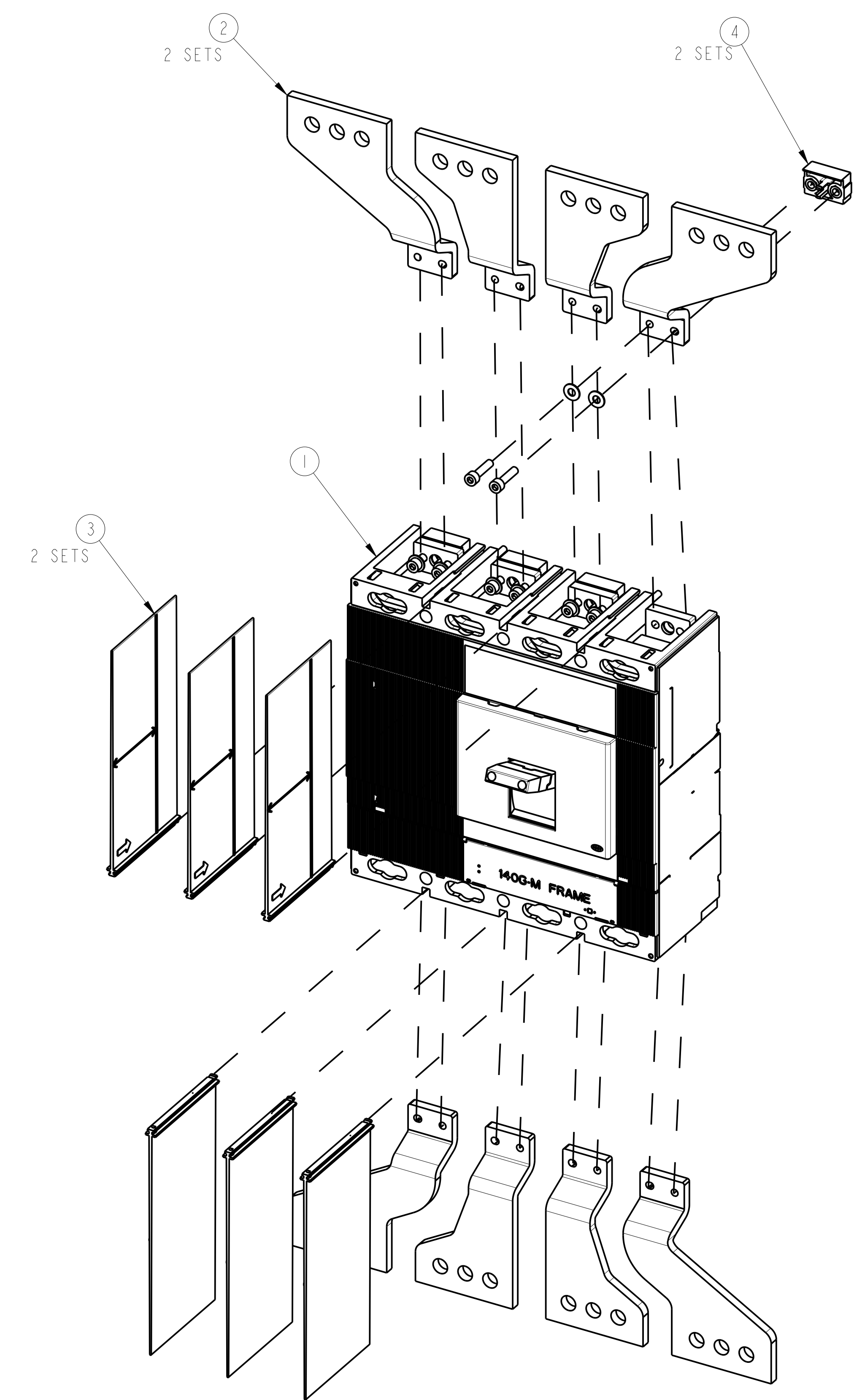
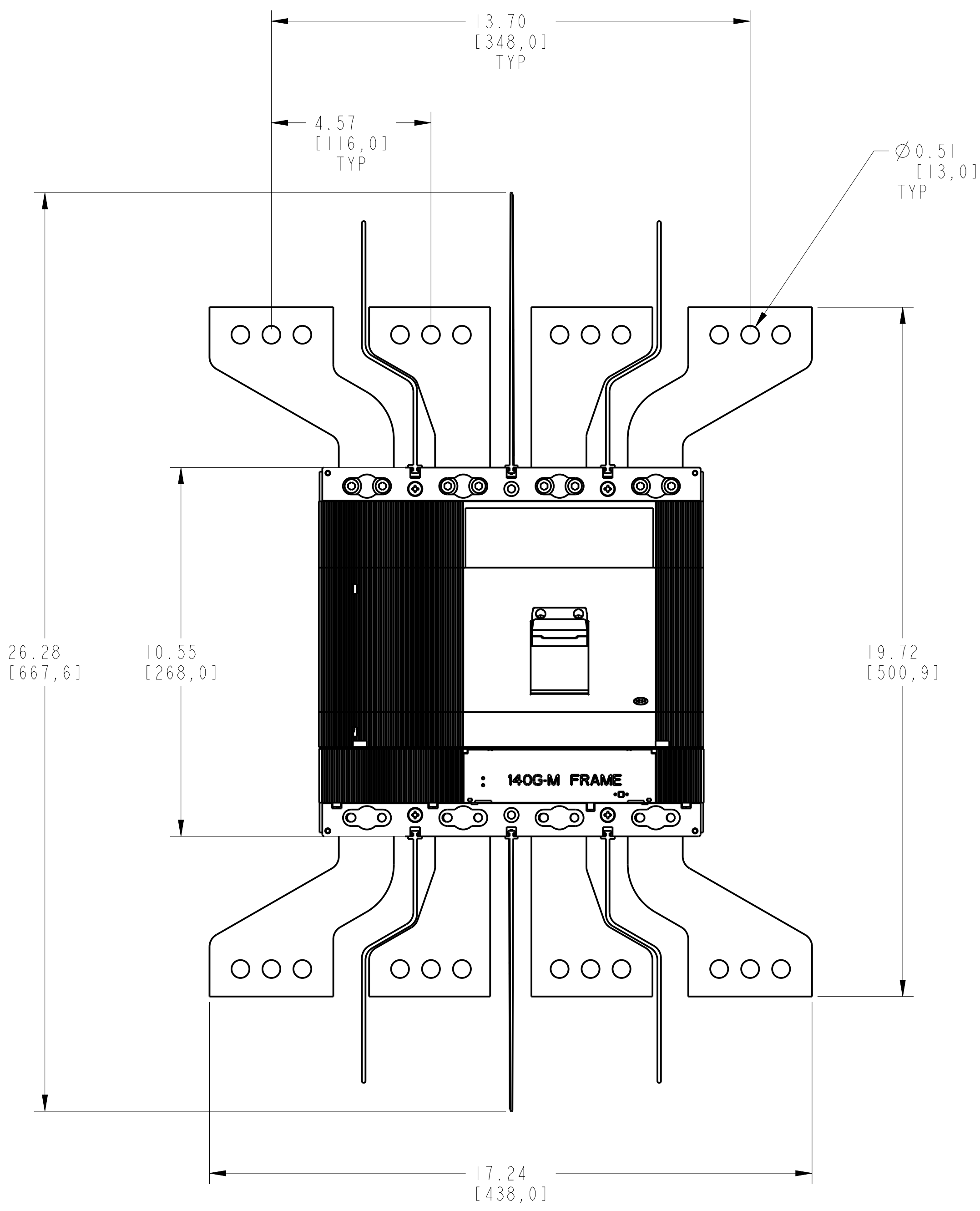
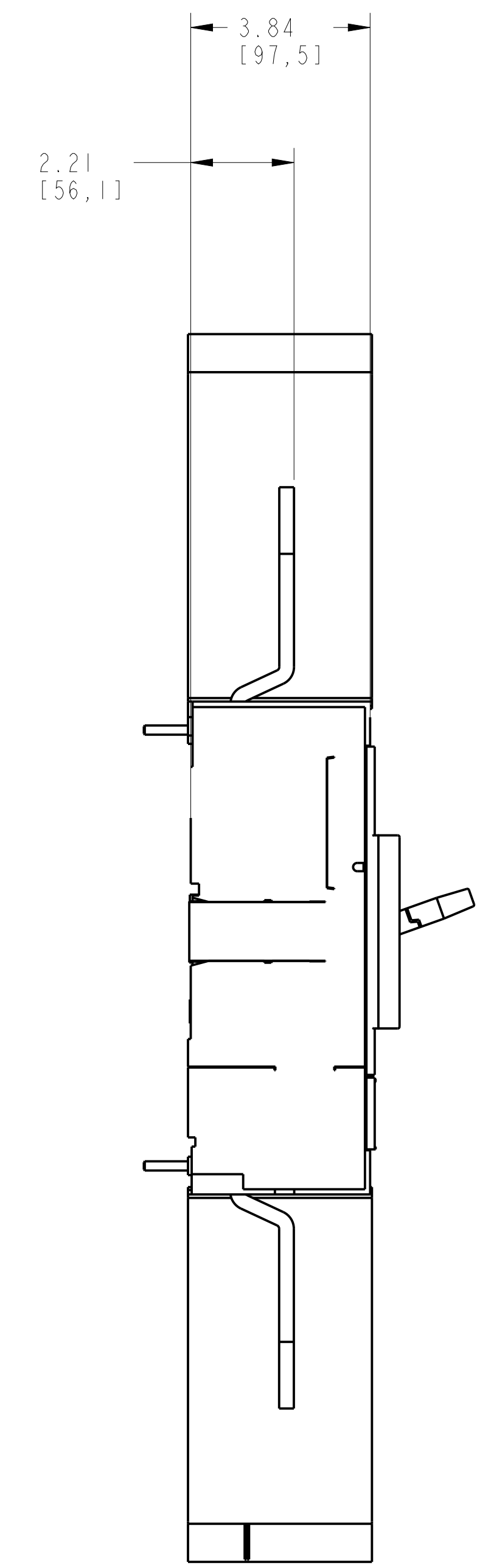
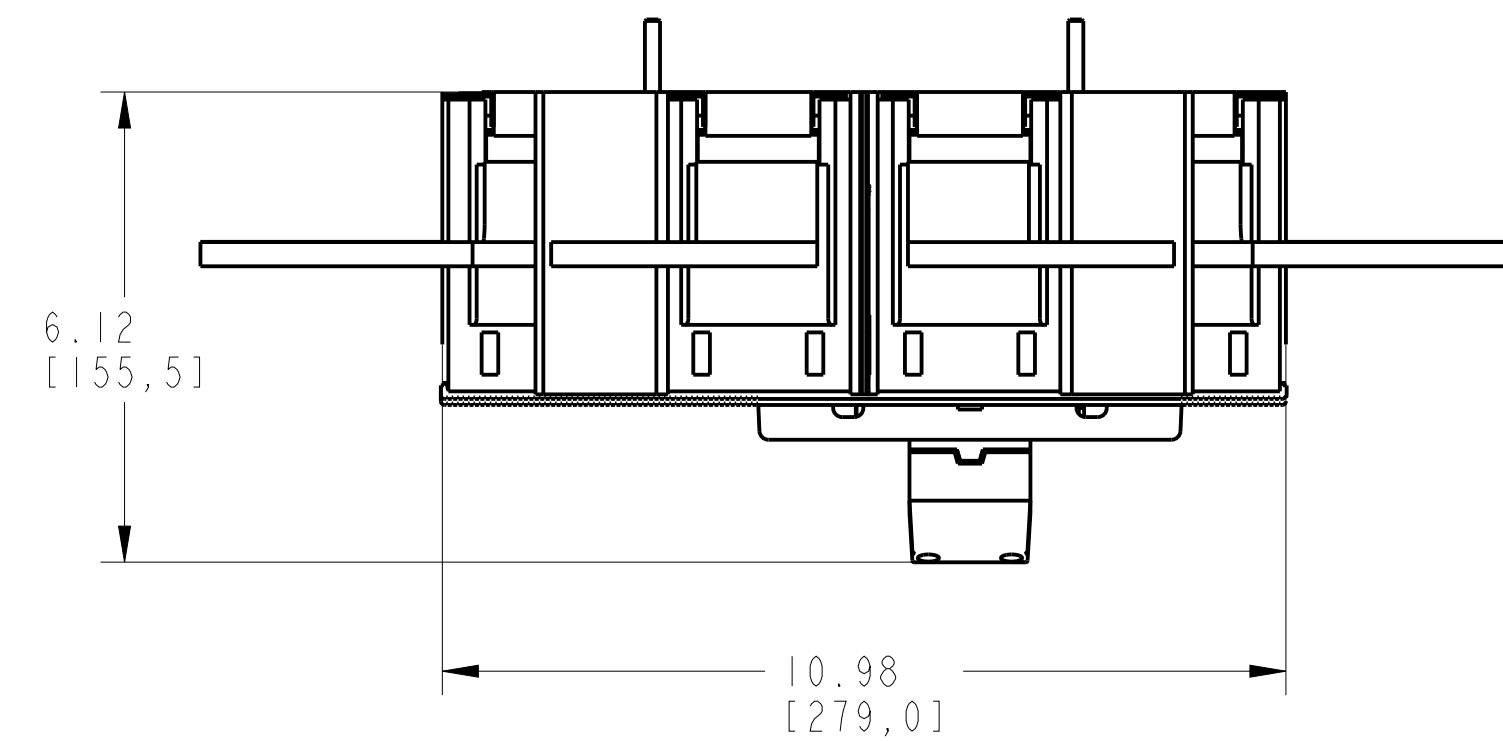
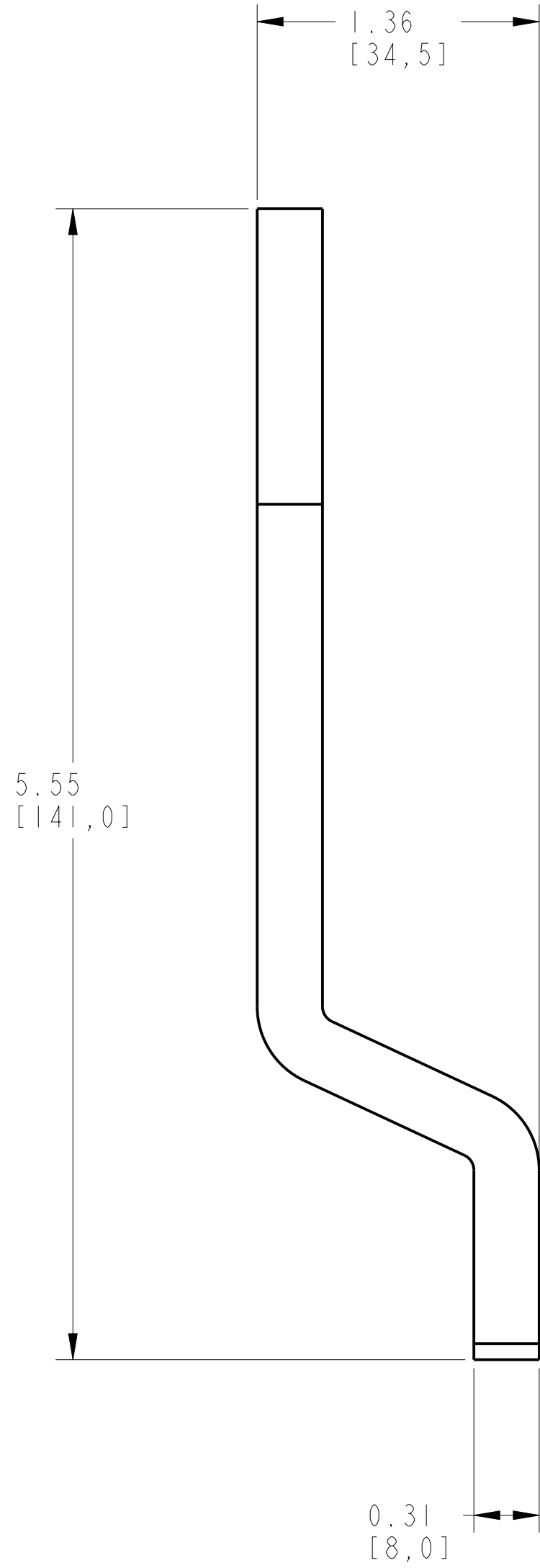
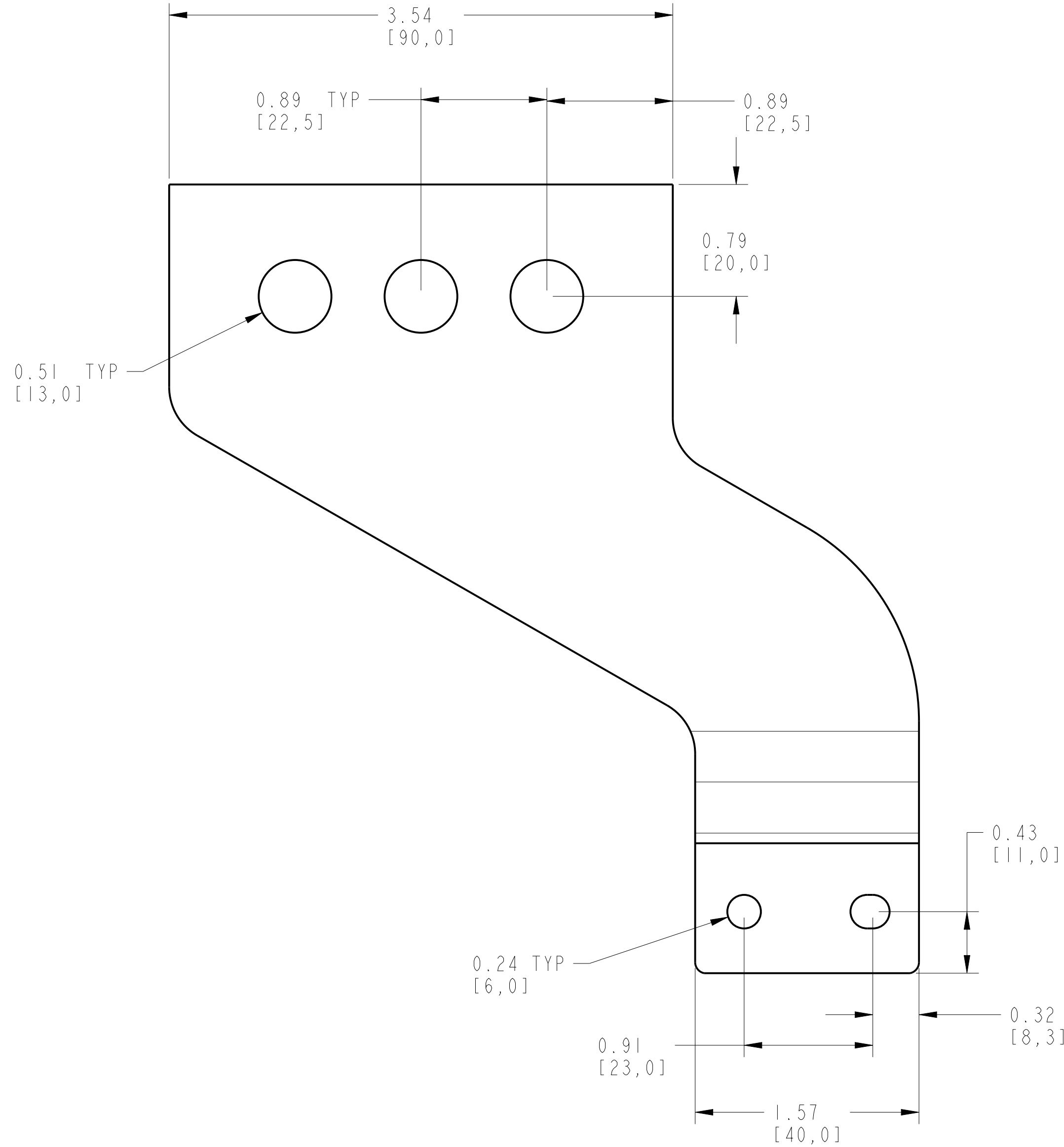


FRONT SPREADER TERMINAL ASSEMBLY

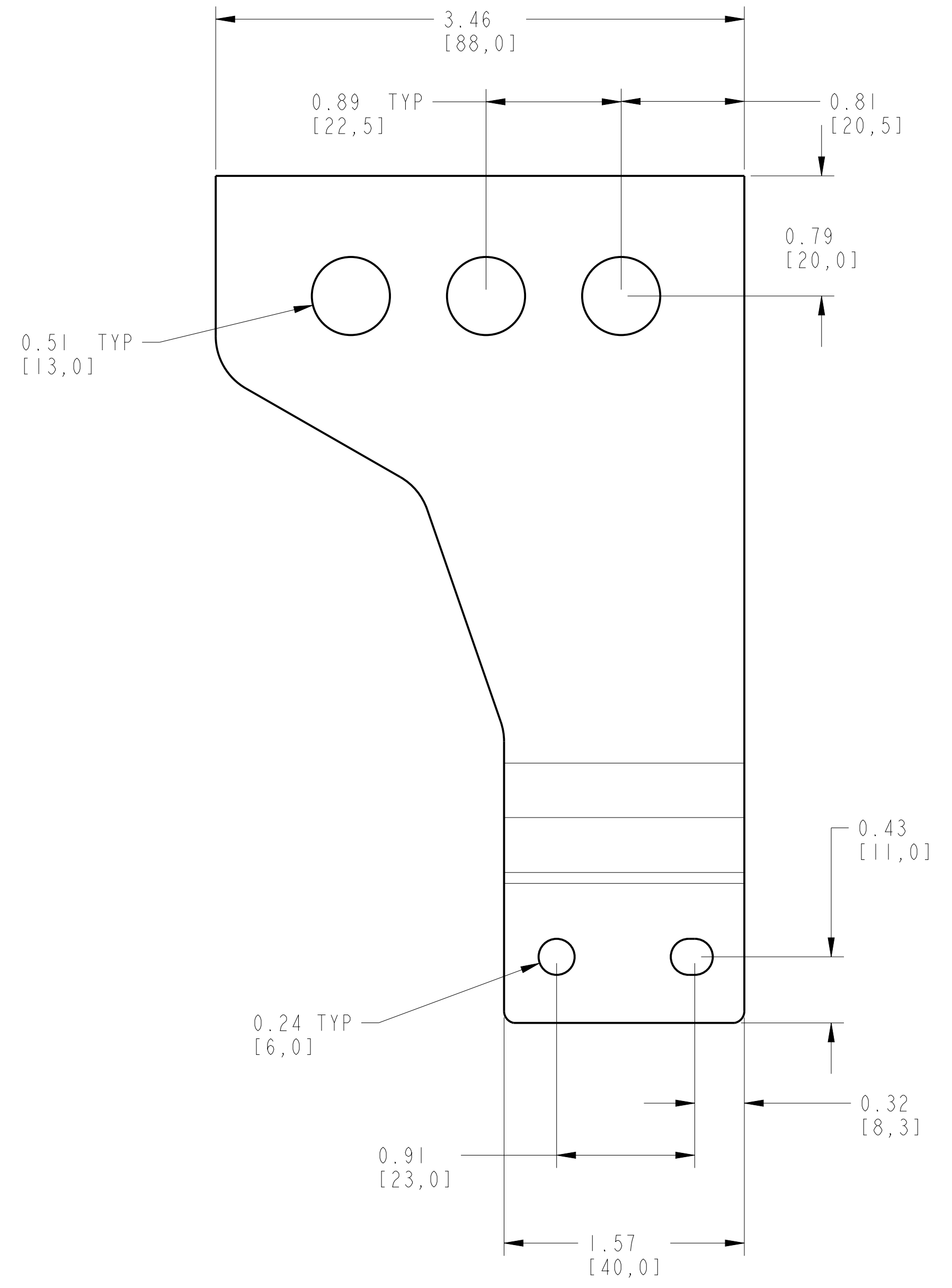
ITEM	DESCRIPTION	QTY	AB CAT NUMBER
1	MOLDED CASE CIRCUIT BREAKER	1	140G-M-3P CB
2	FRONT SPREADER TERMINAL (4 PCS)	2 SETS	140G-M-EXS4
3	PHASE BARRIERS HIGH 3 POLE (3 PCS)	2 SETS	140G-M-PB3H
4	ENDCAP ASSEMBLY (4 PCS)	2 SETS	-



FRONT SPREADER TERMINAL ASSEMBLED TO 140G-M-4-POLE  
SCALE 0.4:1



ITEM 2 : FRONT SPREADER TERMINAL LH/RH END  
SCALE 1.5:1



ITEM 2 : FRONT SPREADER TERMINAL MIDDLE  
SCALE 1.5:1