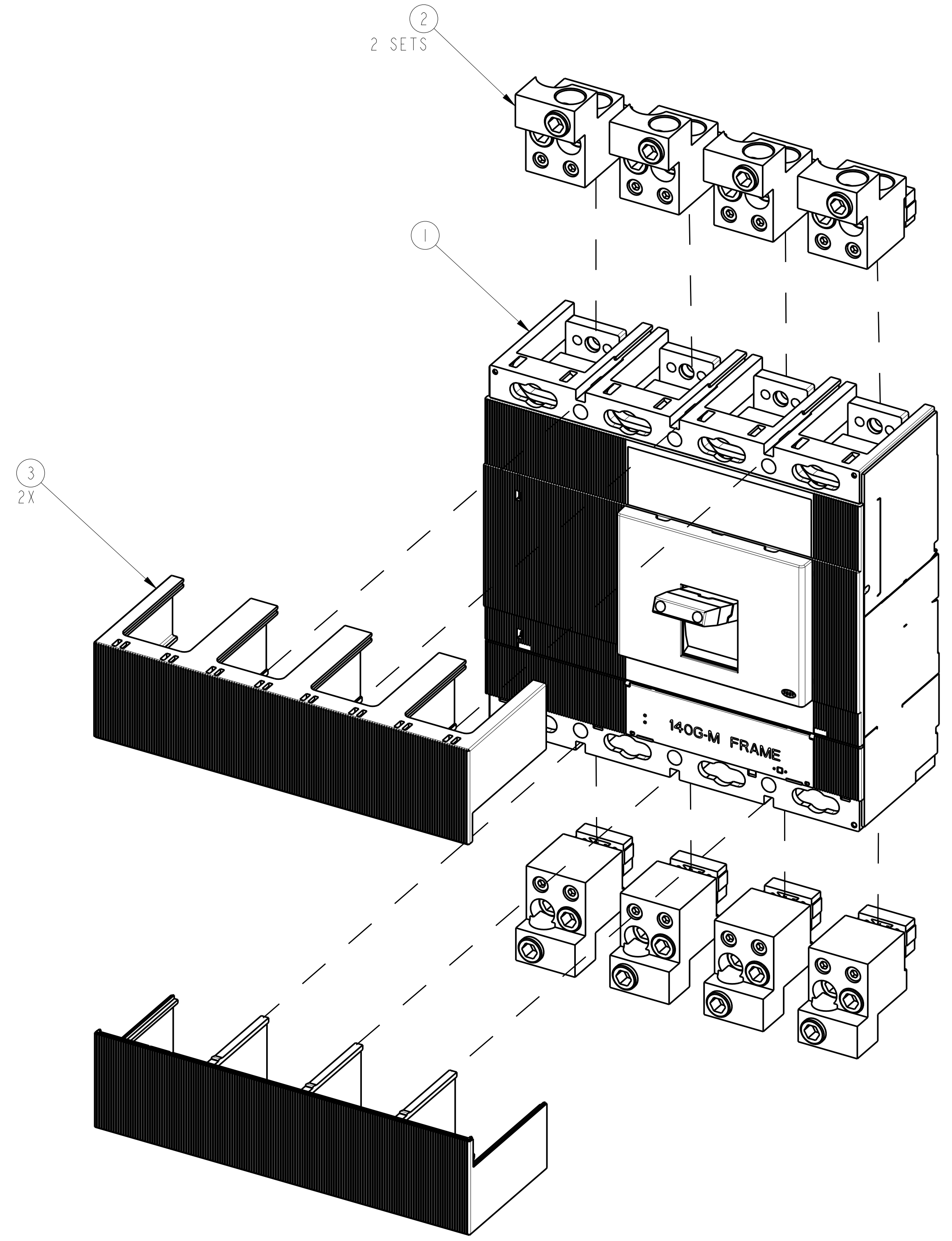
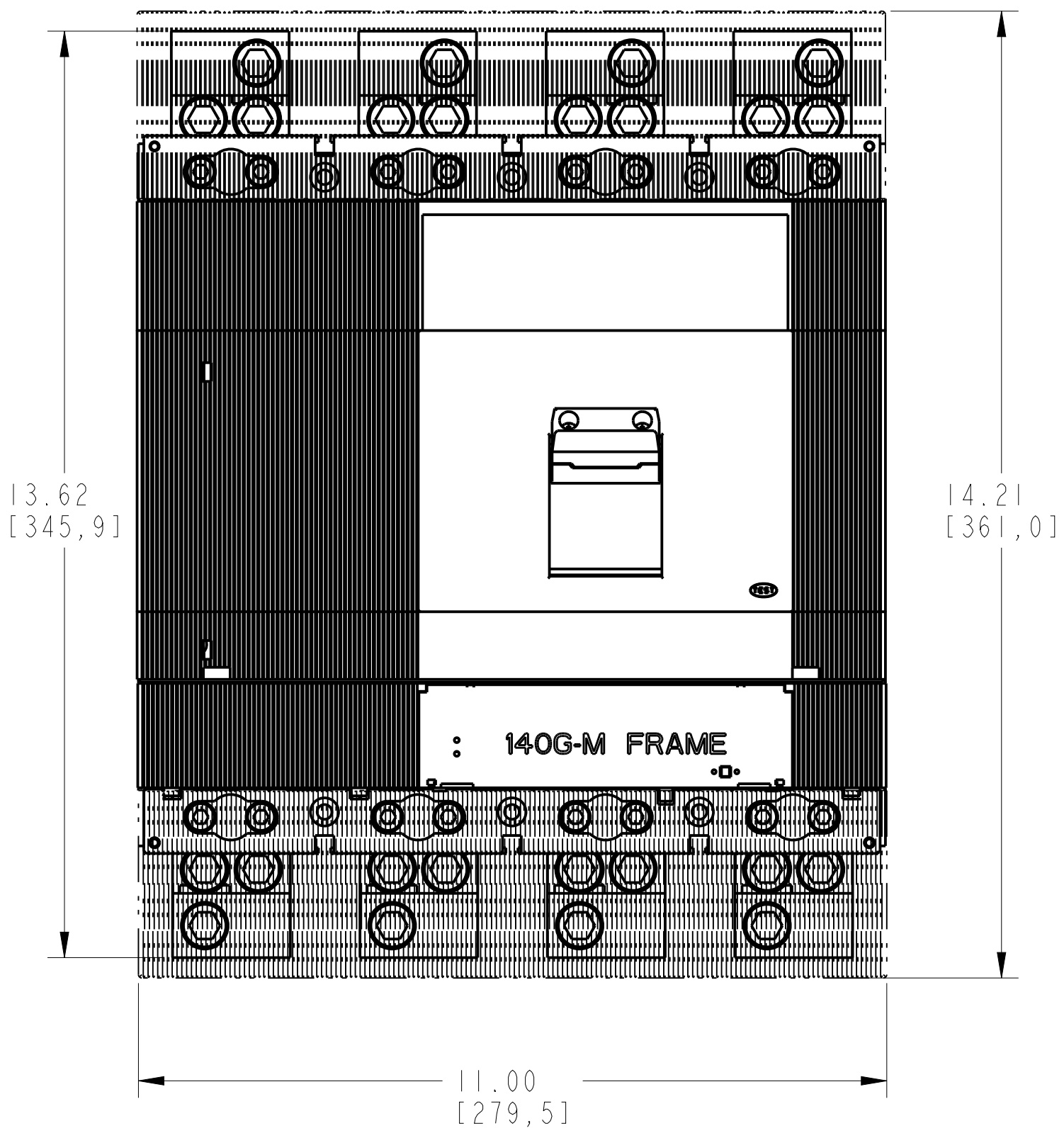
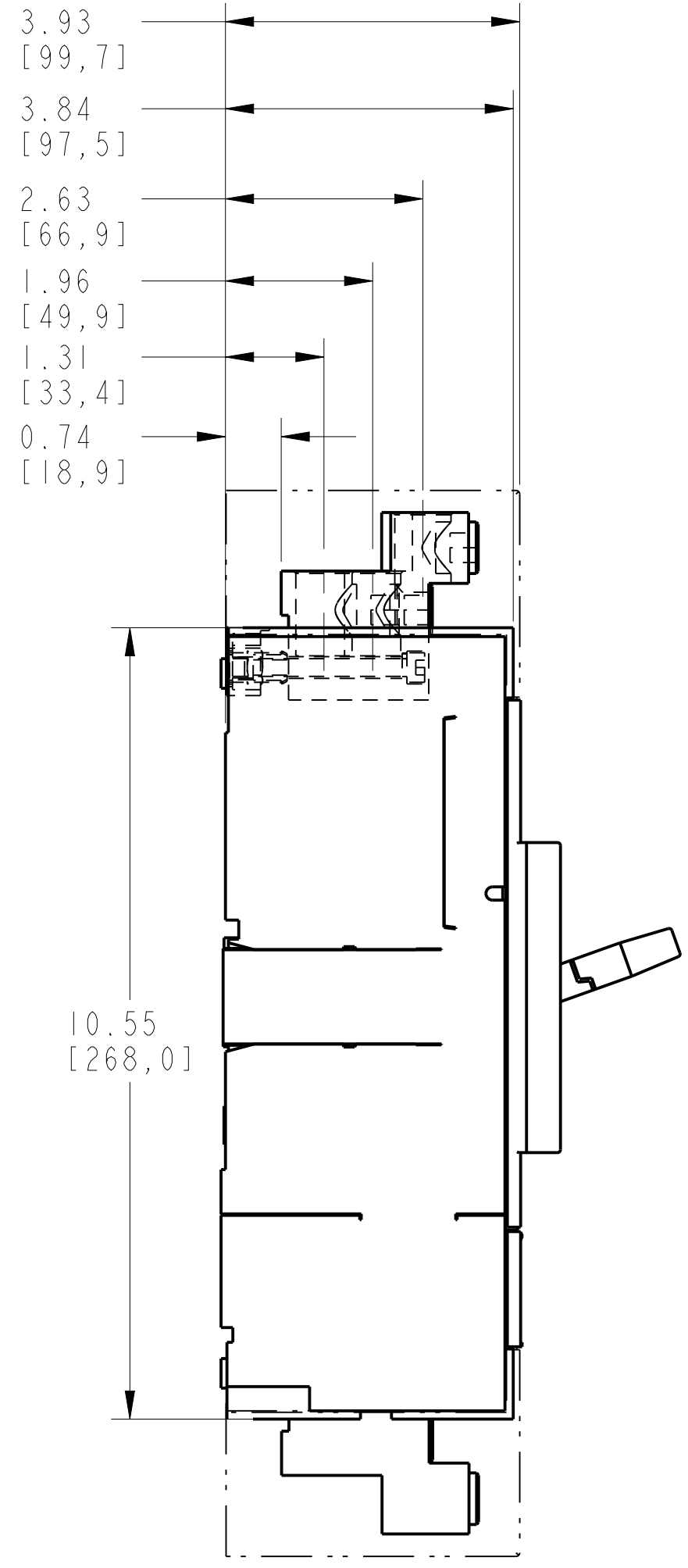
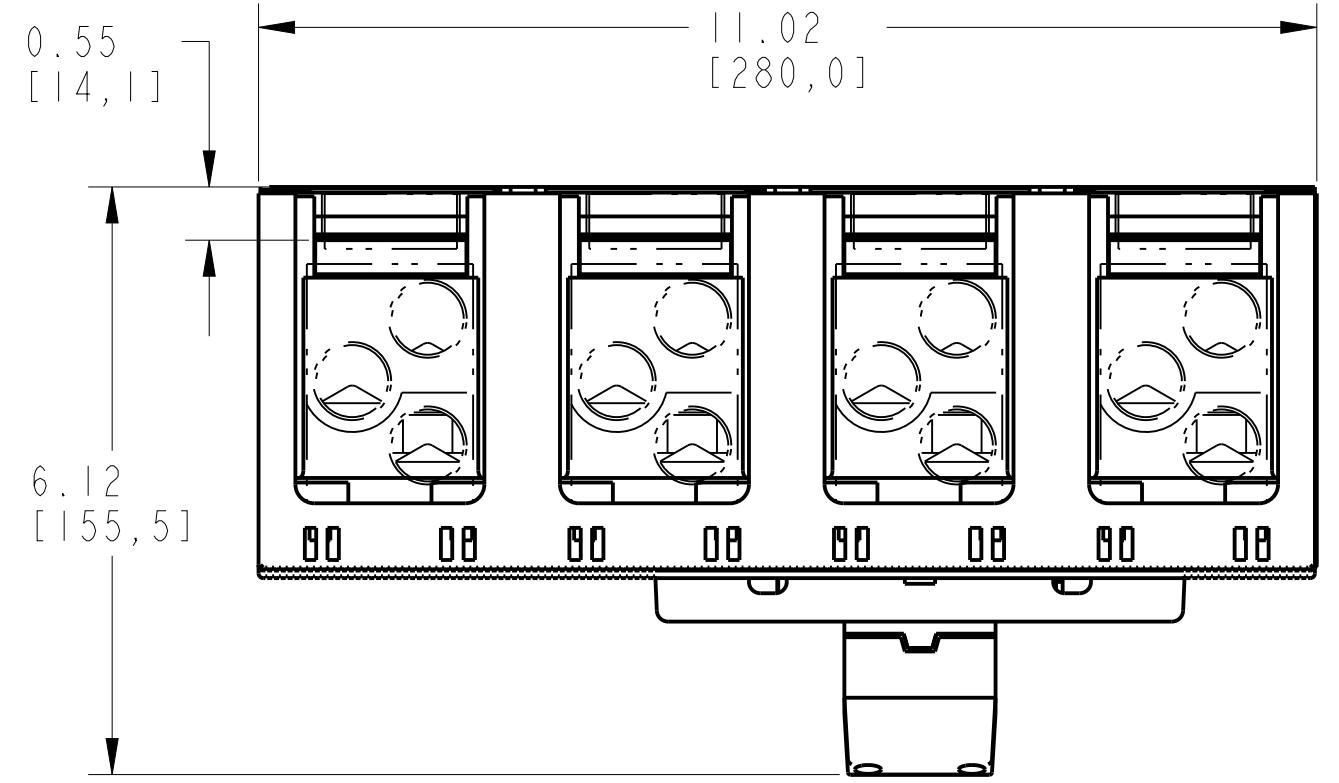


TERMINAL FOR FCCU-AL ASSEMBLY

ITEM	DESCRIPTION	QTY	AB CAT NUMBER
1	MOLDED CASE CIRCUIT BREAKER	1	140G-M-4P CB
2	FCCU-AL TERMINAL (4PCS)	2 SETS	140G-M-TLA34
3	TERMINAL COVER HIGH	2	140G-M-TC4H

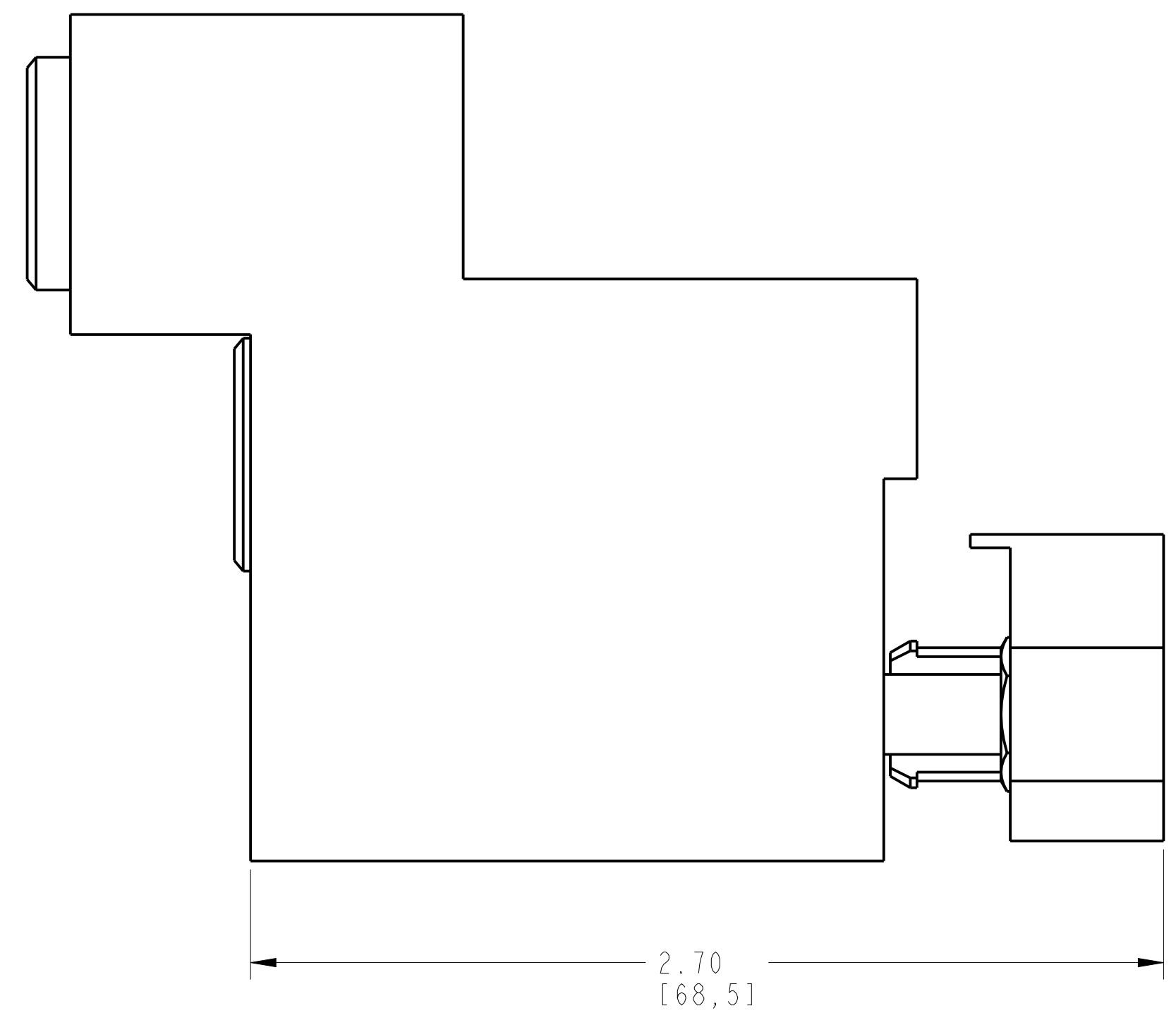
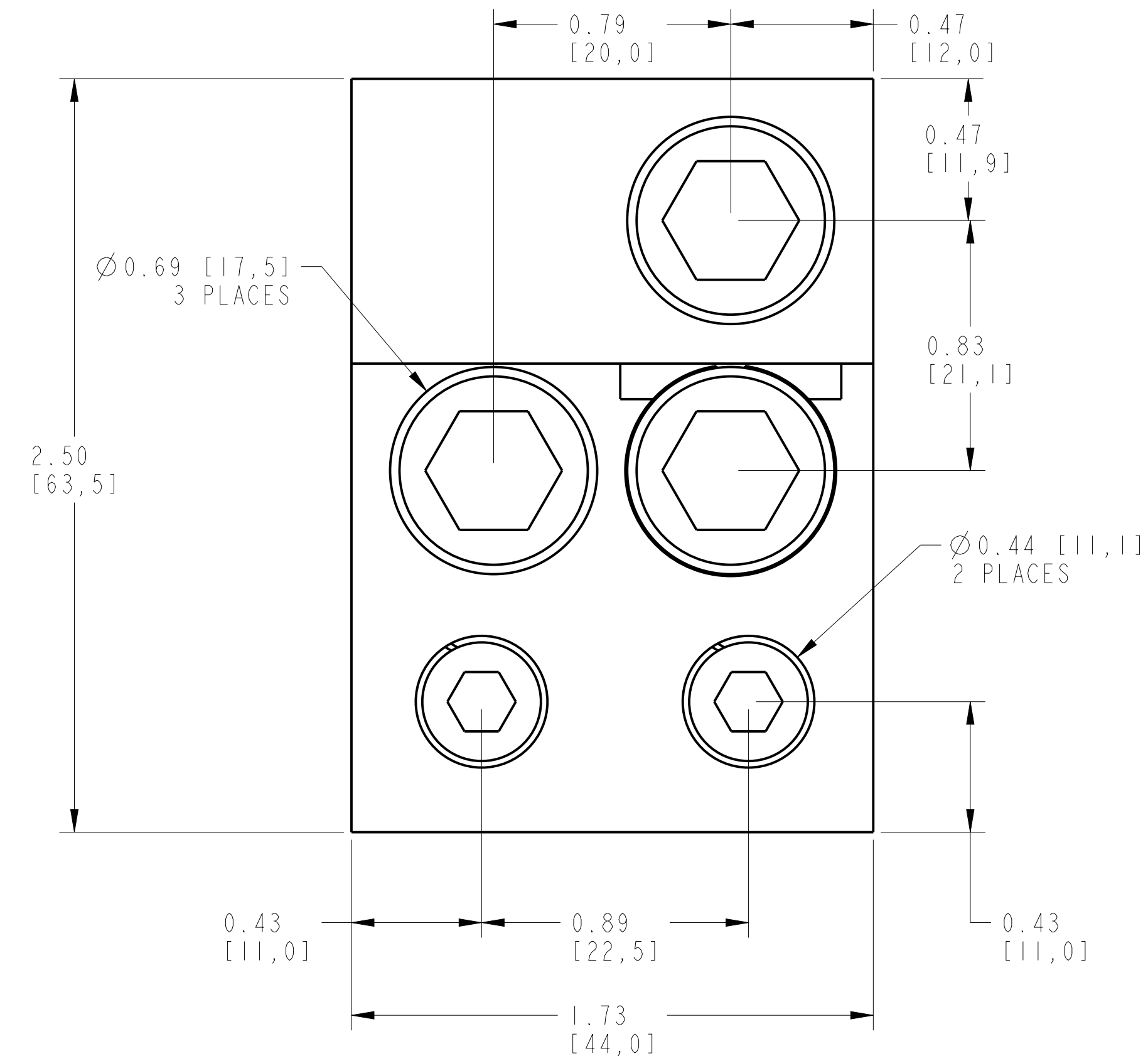
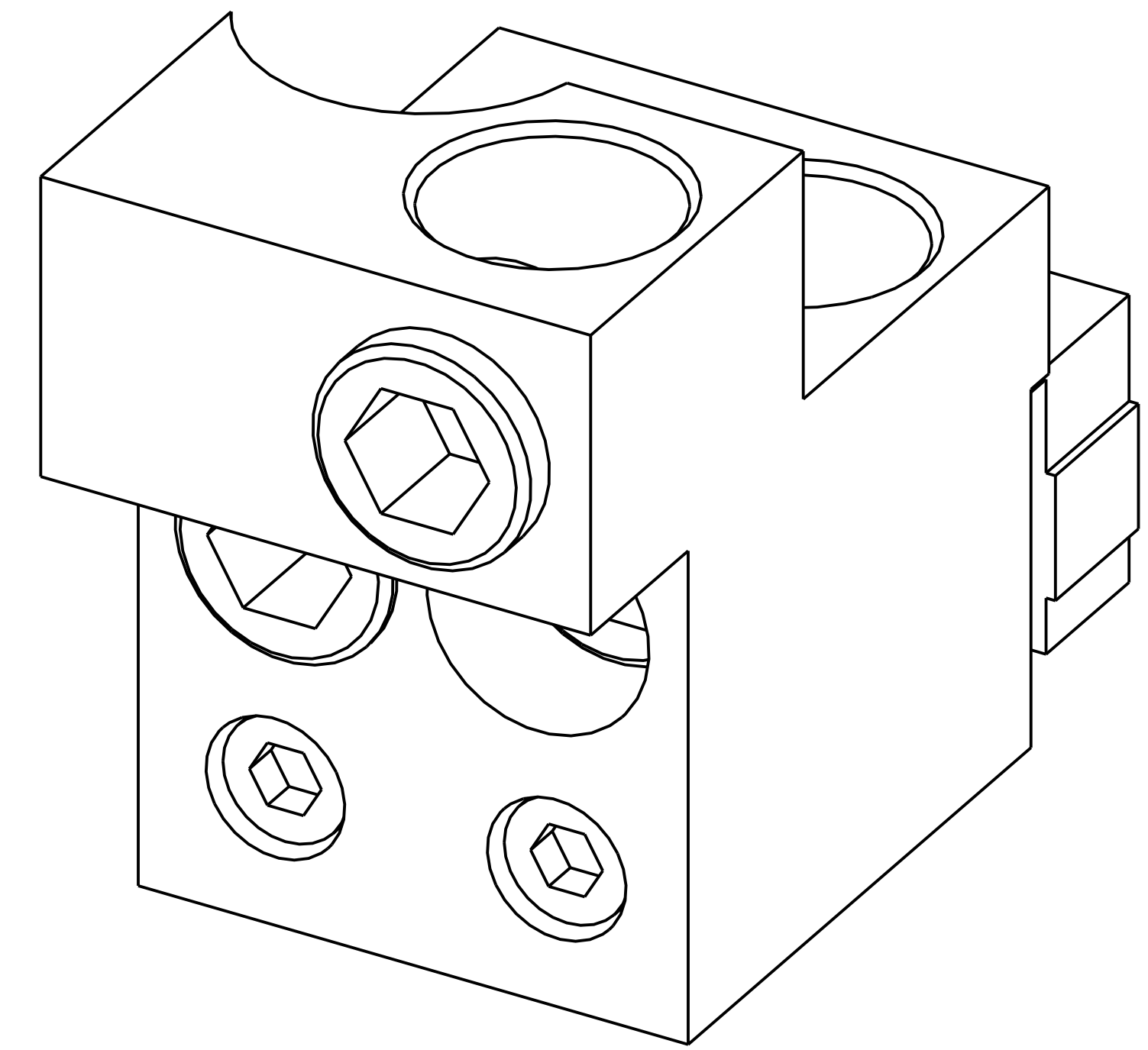
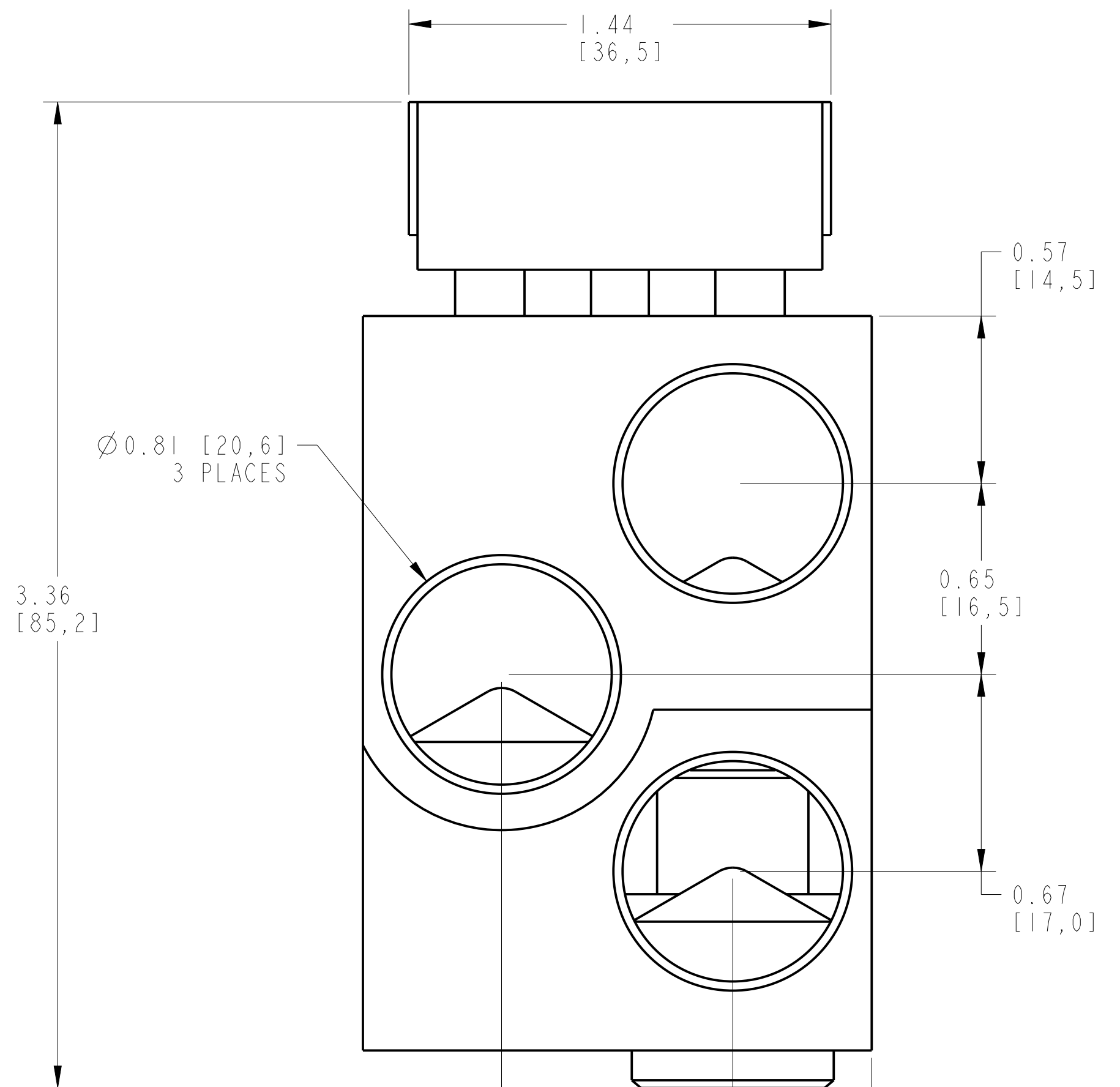
A
B
C
D
E
F
G
H



TERMINAL FOR FCCU-AL ASSEMBLED TO 140G-M-4-POLE
SCALE 0.50:1

1 2 3 4 5 6 7 8

A
B
C
D
E
F
G
H



ITEM 2 : TERMINAL FOR FCCU-AL
SCALE 2.50:1

		<small>CONFIDENTIAL AND PROPRIETARY INFORMATION THIS DOCUMENT CONTAINS CONFIDENTIAL AND PROPRIETARY INFORMATION OF ROCKWELL AUTOMATION, INC. AND MAY NOT BE USED, COPIED OR DISCLOSED TO OTHERS, EXCEPT WITH THE AUTHORIZED WRITTEN PERMISSION OF ROCKWELL AUTOMATION, INC.</small>	
		Sheet 2 Of 2	
FCCU-AL ASSEMBLED TO 140G-M-4POLE CB		Size D	Ver 00
Drawn by: UMUNUSW	Date: OCT-17-2013	10000850894	