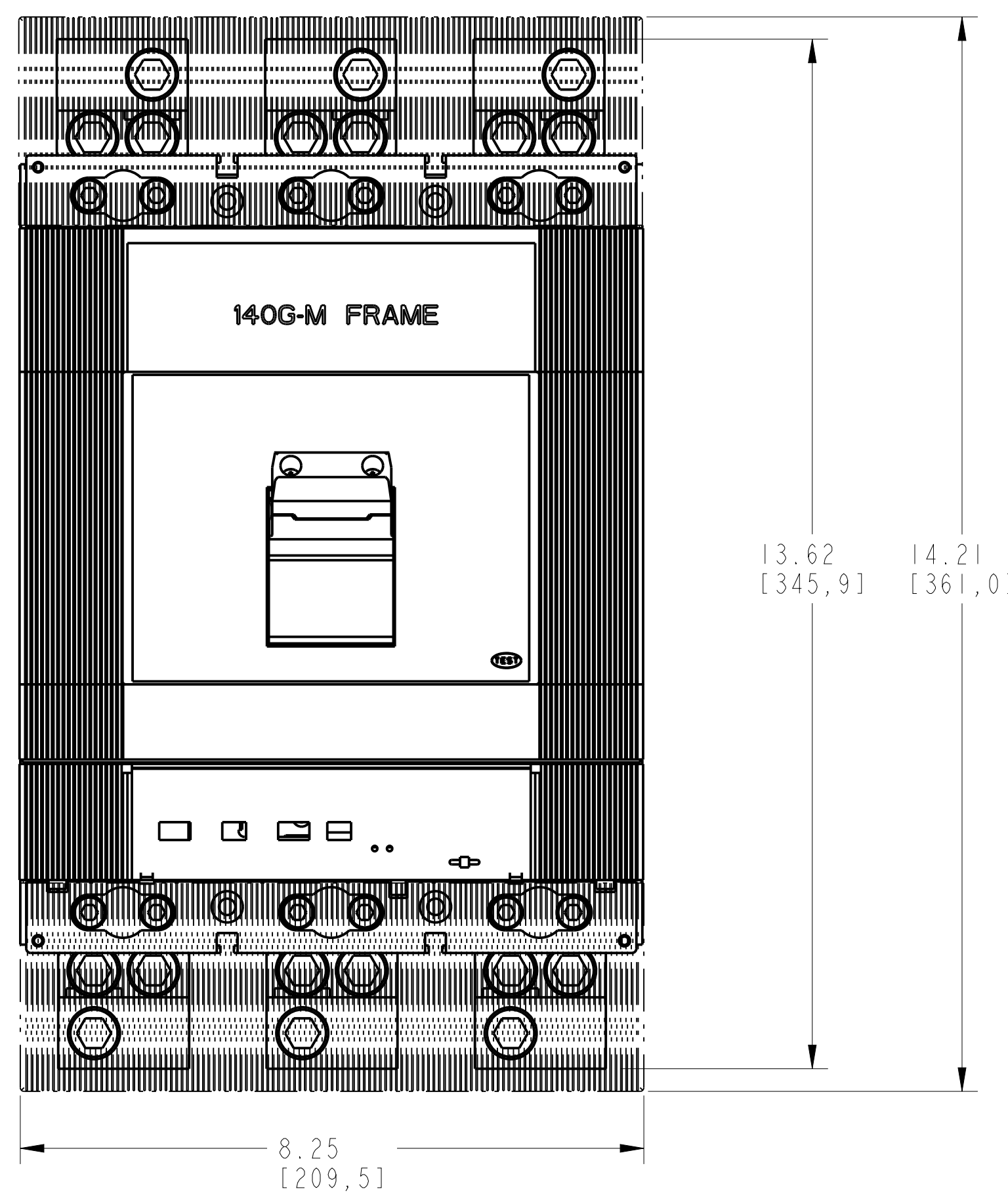
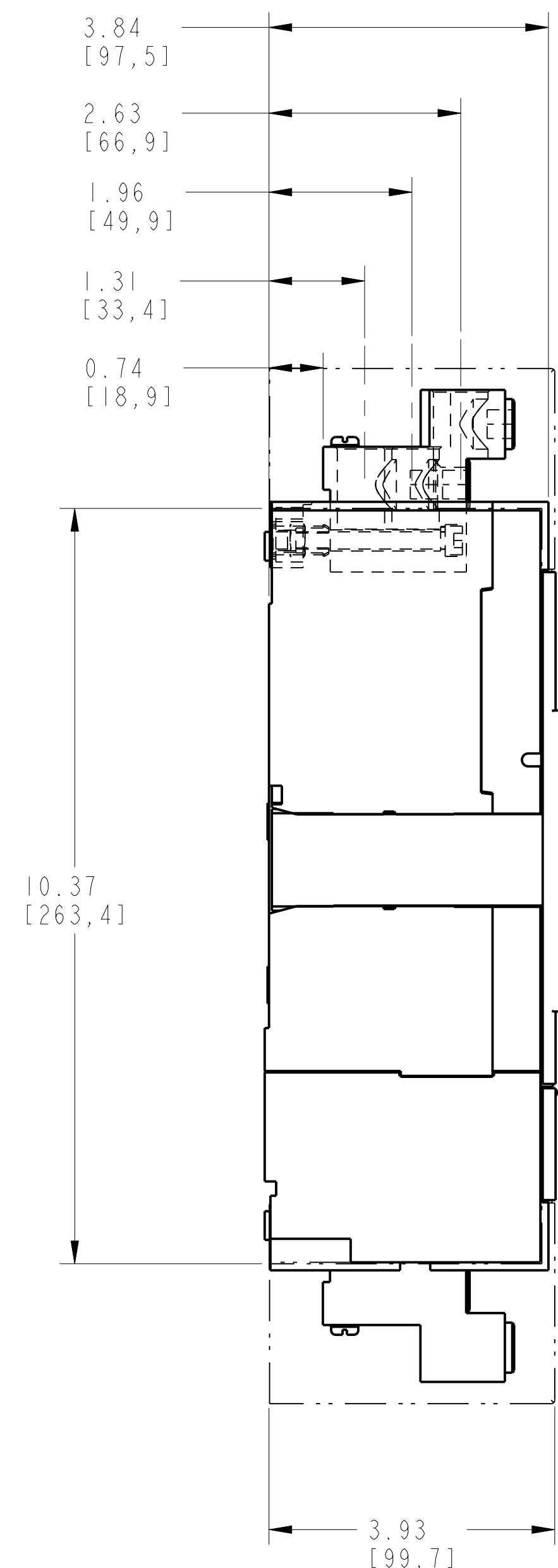
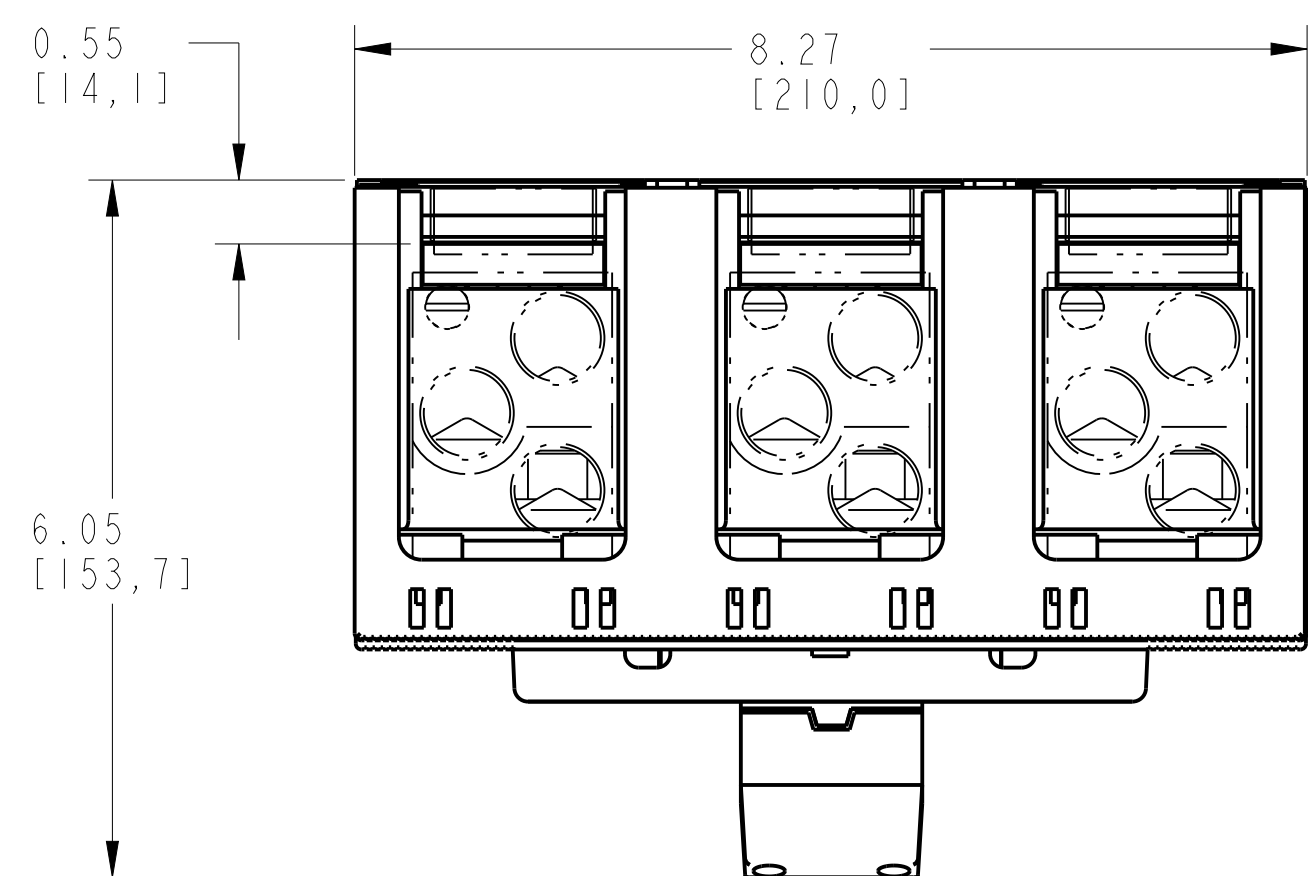


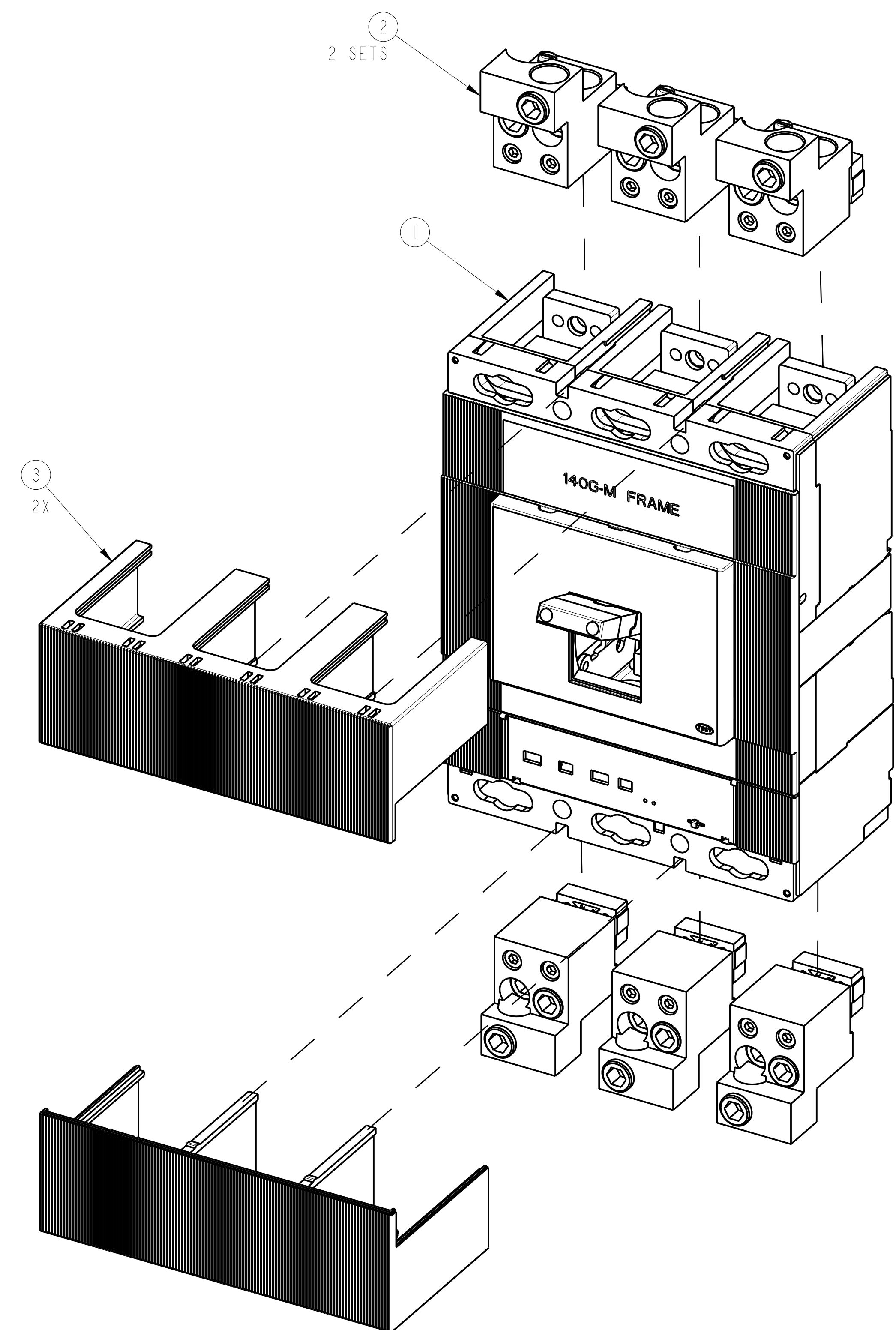
1 2 3 4 5 6 7 8

TERMINAL FOR COPPER CABLES FCCU ASSEMBLY

ITEM	DESCRIPTION	QTY	AB CAT NUMBER
1	MOLDED CASE CIRCUIT BREAKER	1	140G-M-3P CB
2	FCCU TERMINAL (3PCS)	2 SETS	140G-M-TLC33
3	TERMINAL COVER HIGH	2	140G-M-TC3H

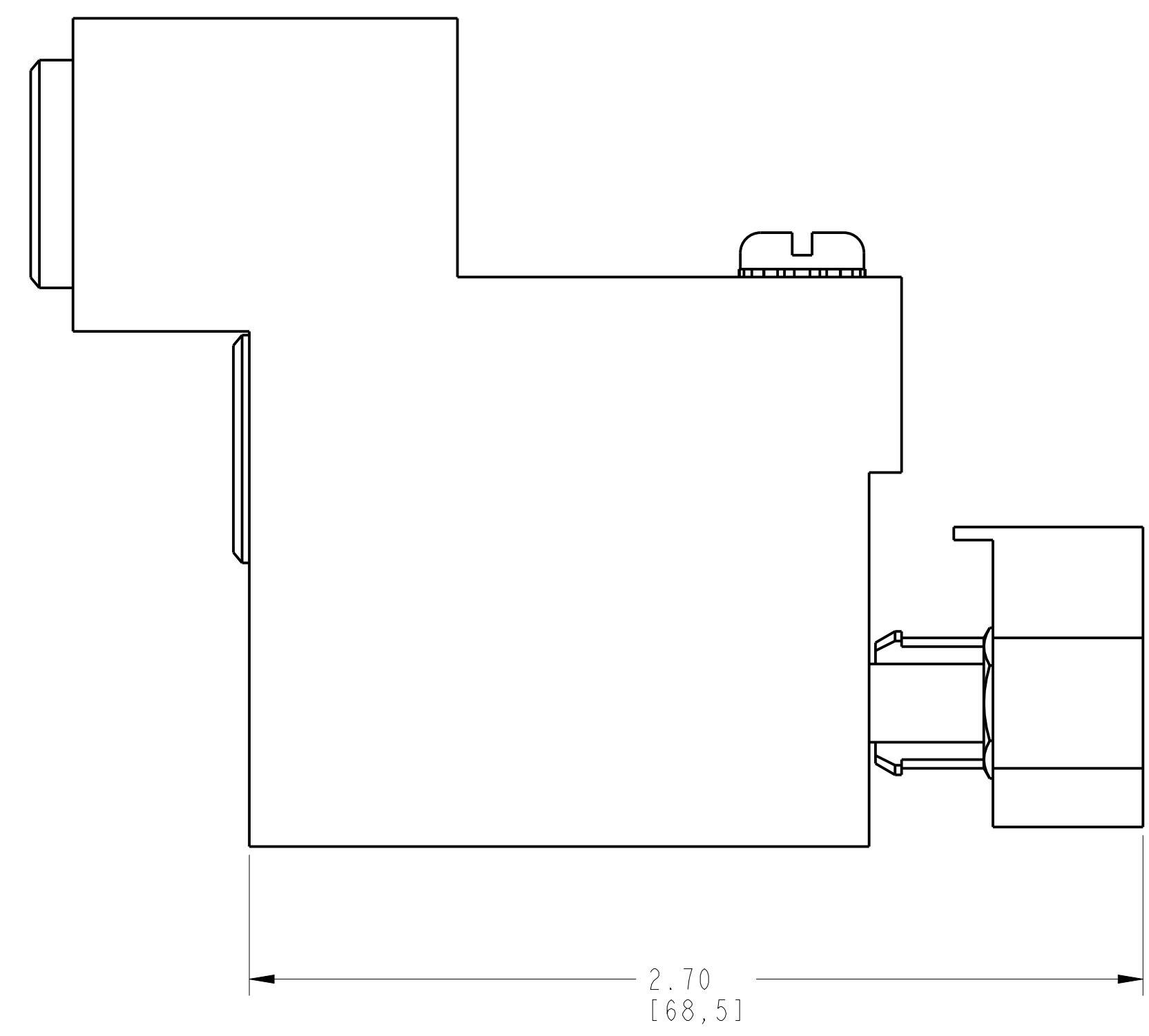
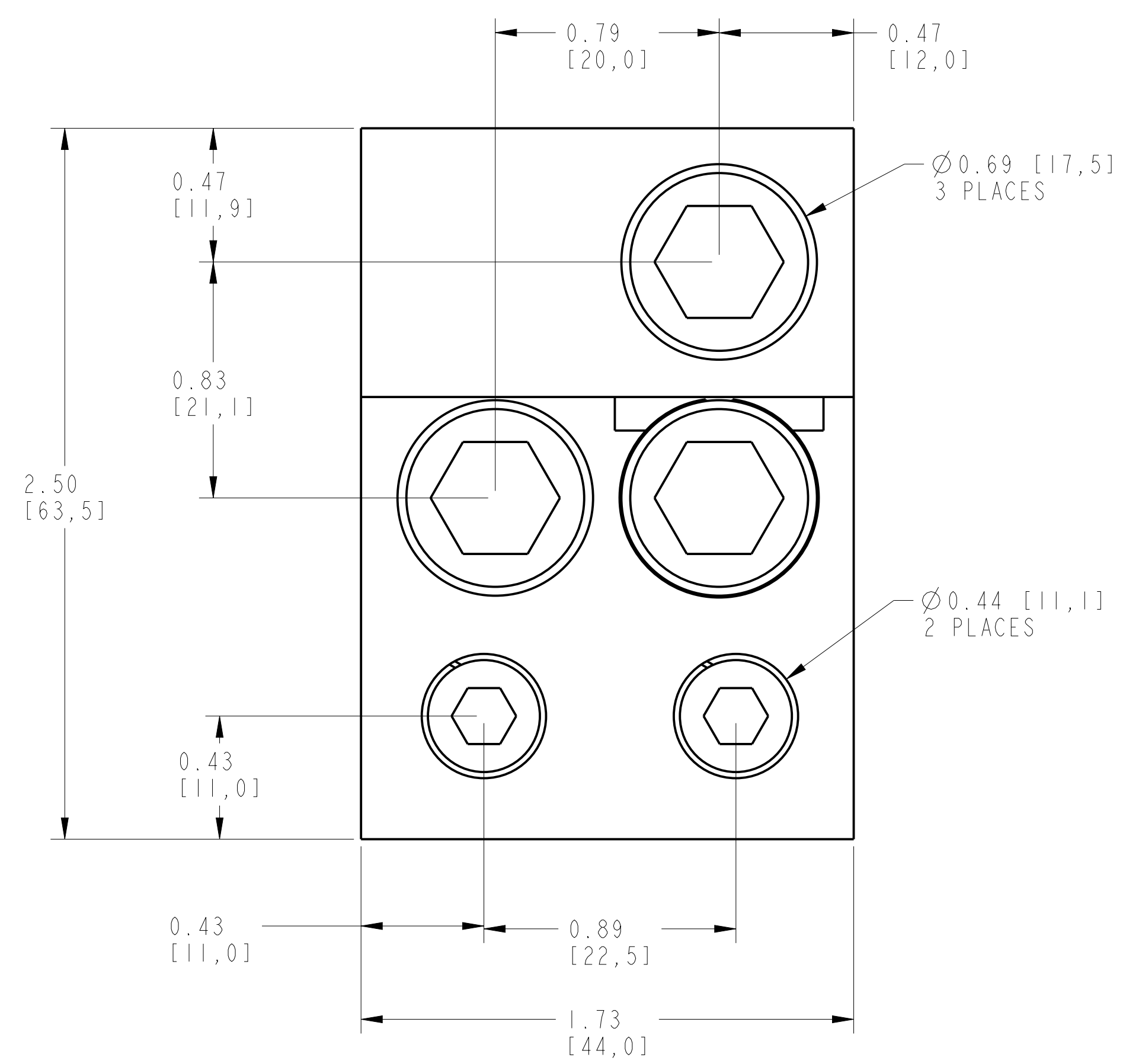
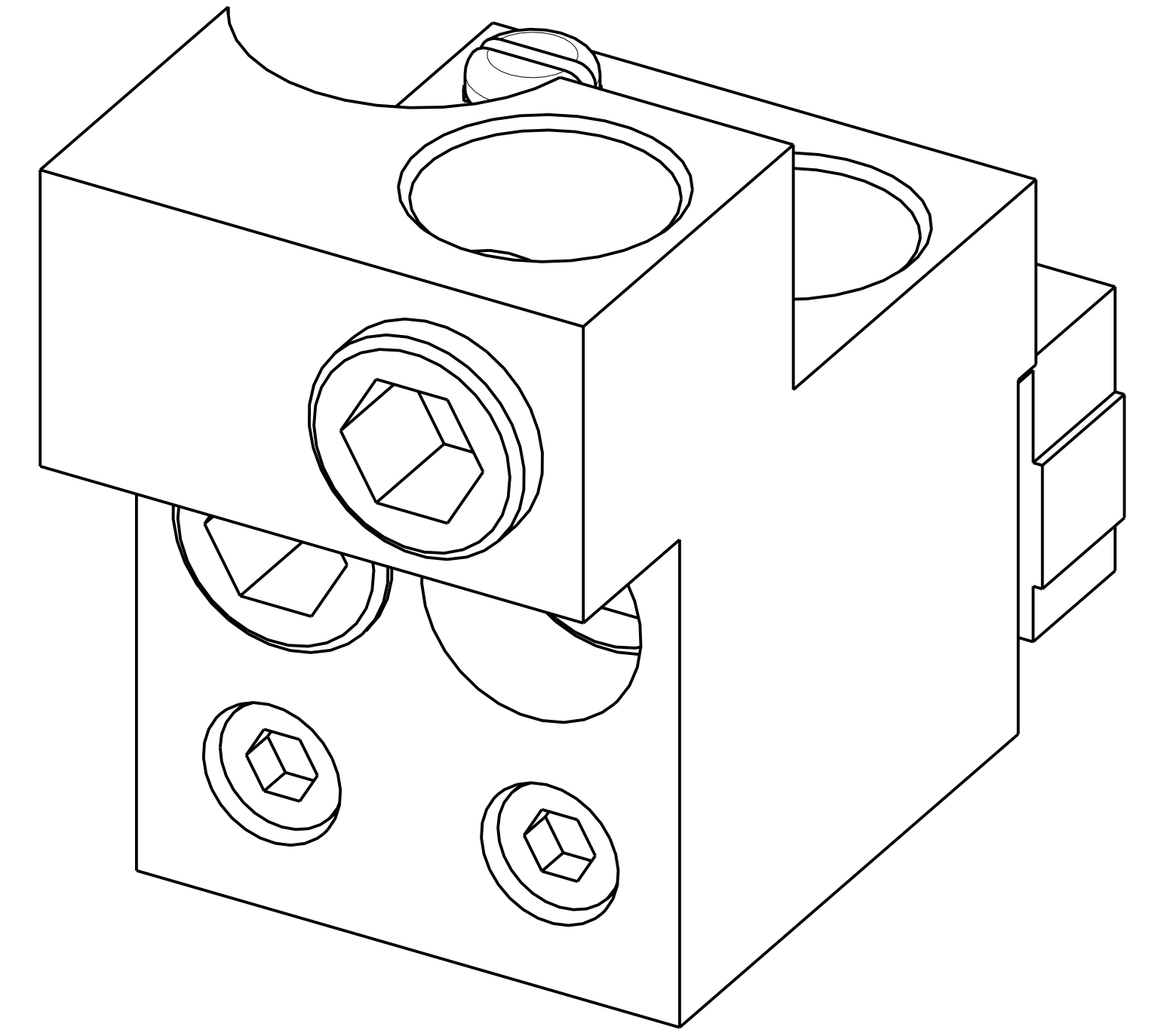
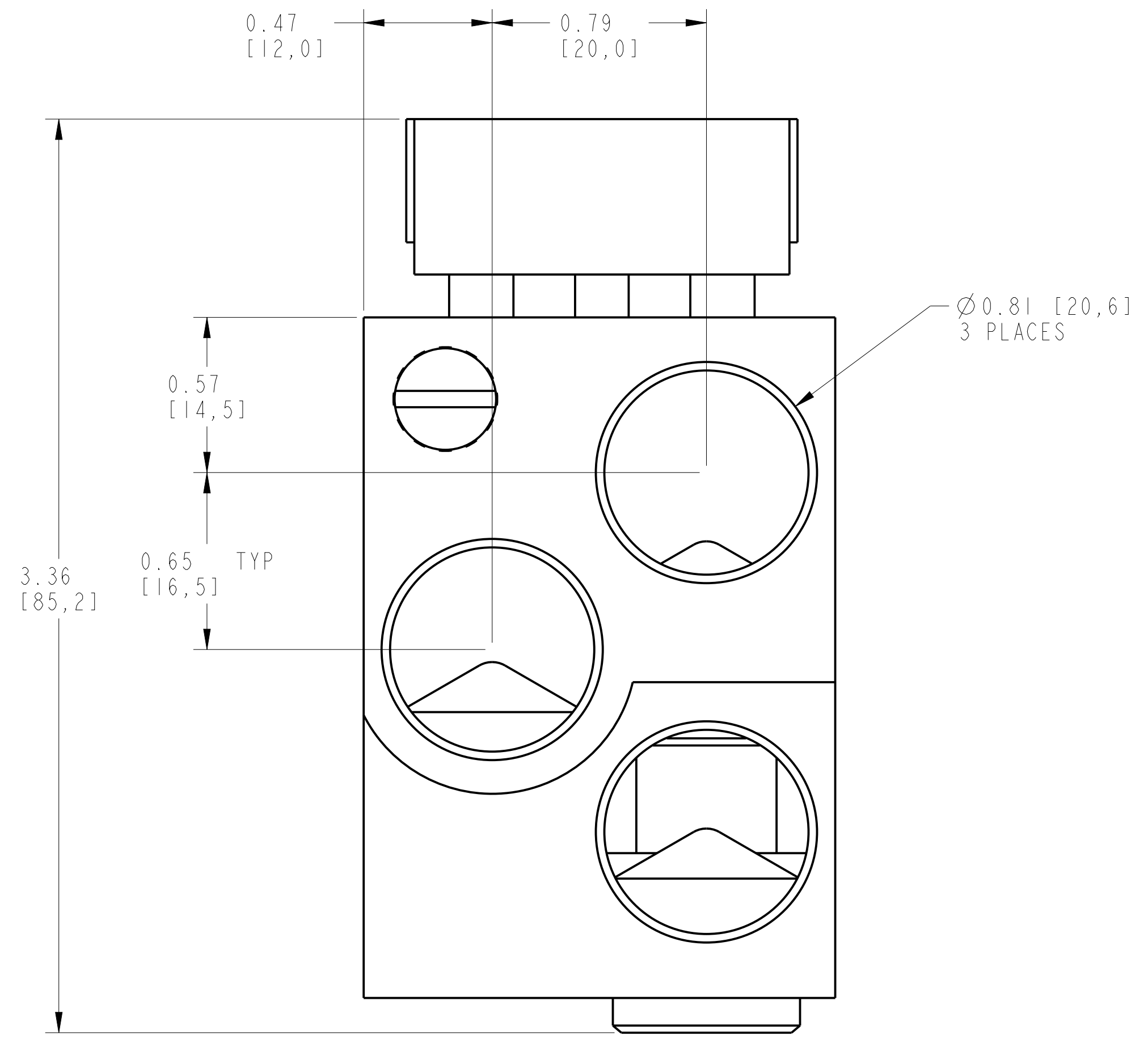


TERMINAL FOR COPPER CABLES FCCU ASSEMBLED TO 140G-M-3-POLE
SCALE 0.6:1



1 2 3 4 5 6 7 8

A
B
C
D
E
F
G
H



ITEM 2 : TERMINAL FOR COPPER CABLES FCCU
SCALE 2.5:1

		<small>CONFIDENTIAL AND PROPRIETARY INFORMATION THIS DOCUMENT CONTAINS CONFIDENTIAL AND PROPRIETARY INFORMATION OF ROCKWELL AUTOMATION, INC. AND MAY NOT BE USED, COPIED OR DISCLOSED TO OTHERS, EXCEPT WITH THE AUTHORIZED WRITTEN PERMISSION OF ROCKWELL AUTOMATION, INC.</small>	
		Sheet 2 Of 2	
FCCU ASSEMBLED TO 140G-M-3POLE CB		Size D	Ver 00
Drawn by: UMUNUSW	Date: OCT-17-2013	1000850658	