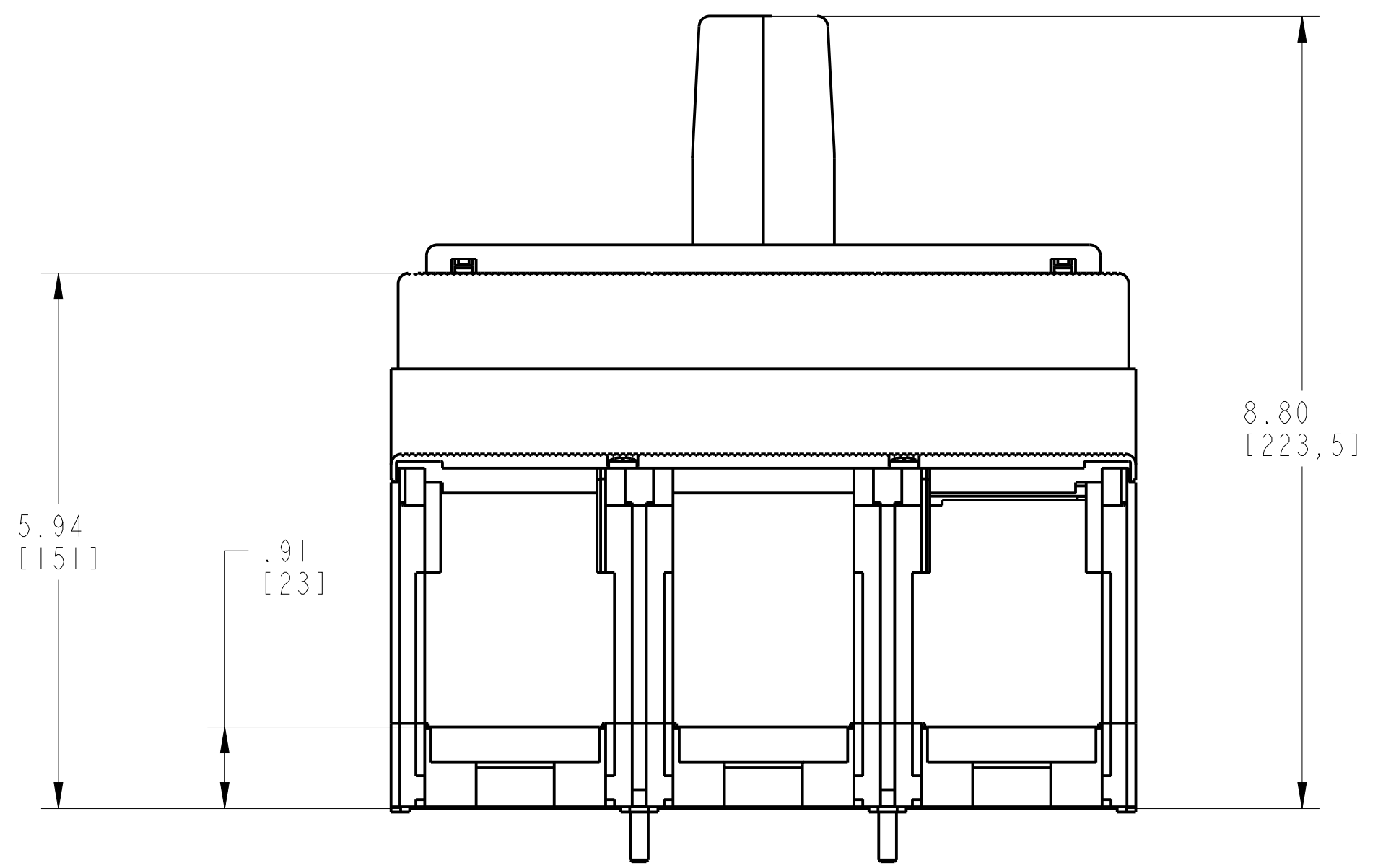
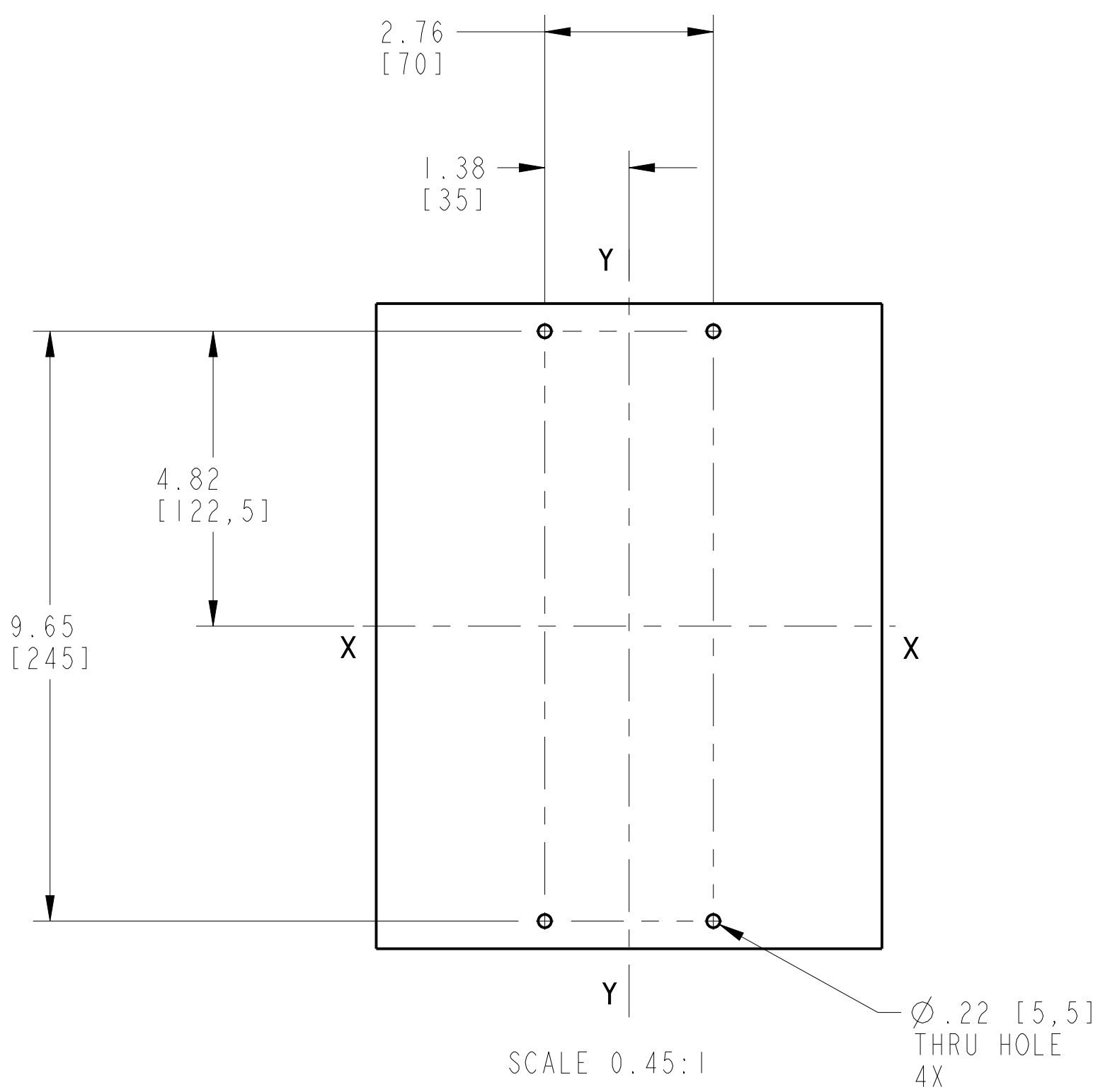


ISOMETRIC VIEW



SCALE 0.65:1



DRILLING FOR FIXING CIRCUIT BREAKER

Rockwell Automation		<small>CONFIDENTIAL AND PROPRIETARY INFORMATION. THIS DOCUMENT CONTAINS CONFIDENTIAL AND PROPRIETARY INFORMATION OF ROCKWELL AUTOMATION, INC. AND MAY NOT BE USED, COPIED OR DISCLOSED TO OTHERS, EXCEPT WITH THE AUTHORIZED WRITTEN PERMISSION OF ROCKWELL AUTOMATION, INC.</small>	
		Sheet 1 of 1	
140G-N4-POLE MOLDED CASE CIRCUIT BREAKER		Size D	Part No. 10000848810
Drawn by: UMUNUSW	Date: OCT-16-2013	Ver 00	