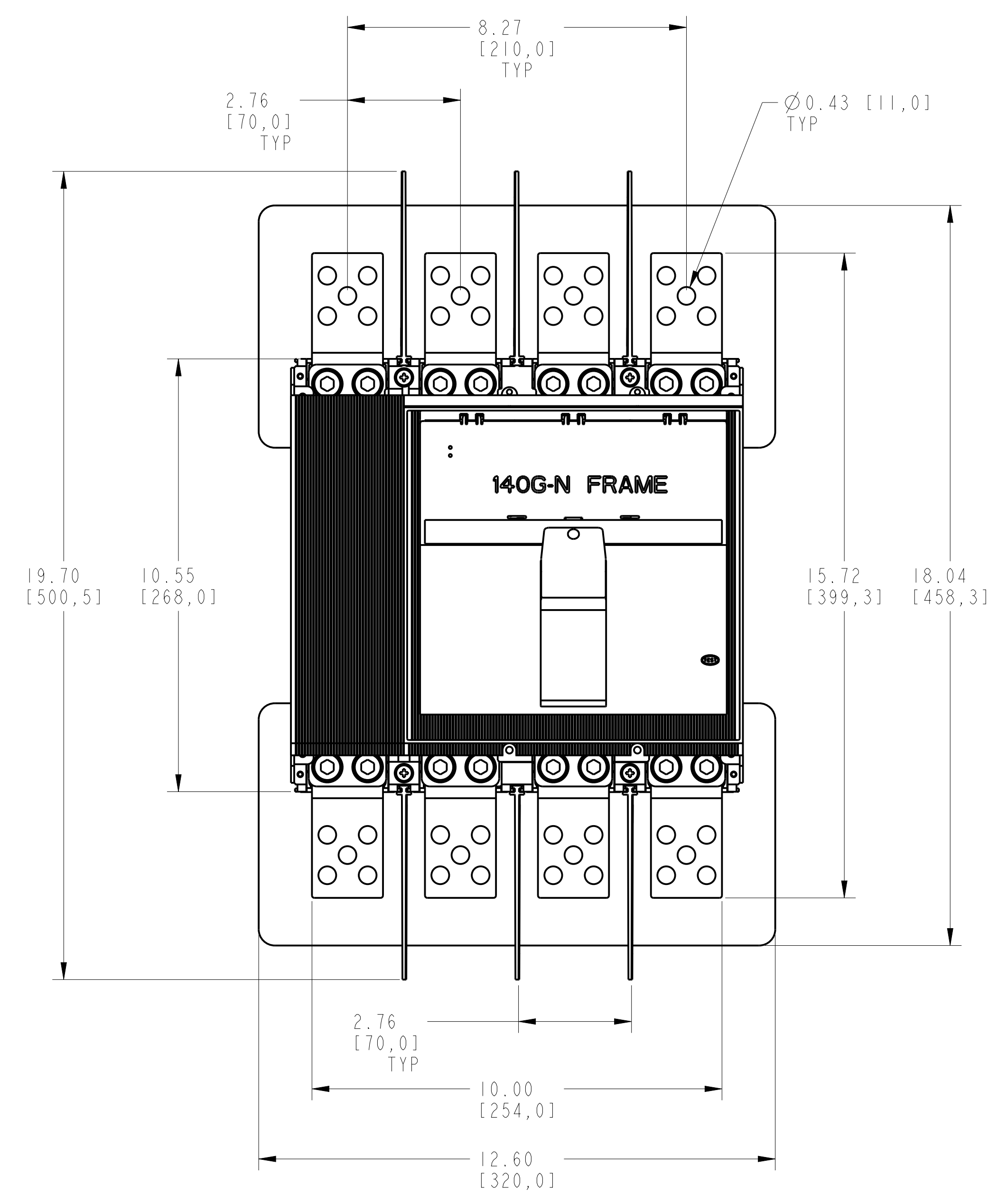
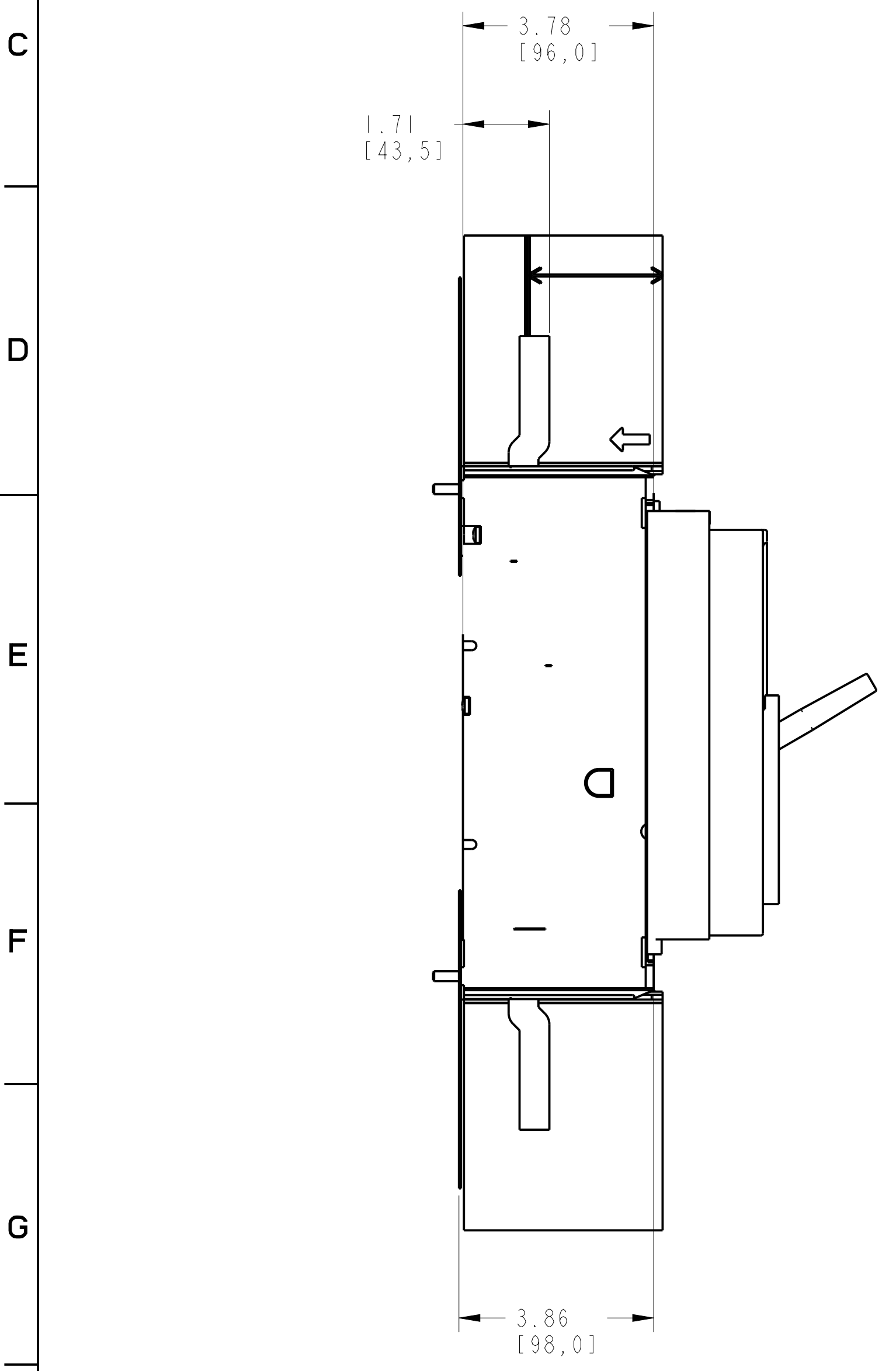
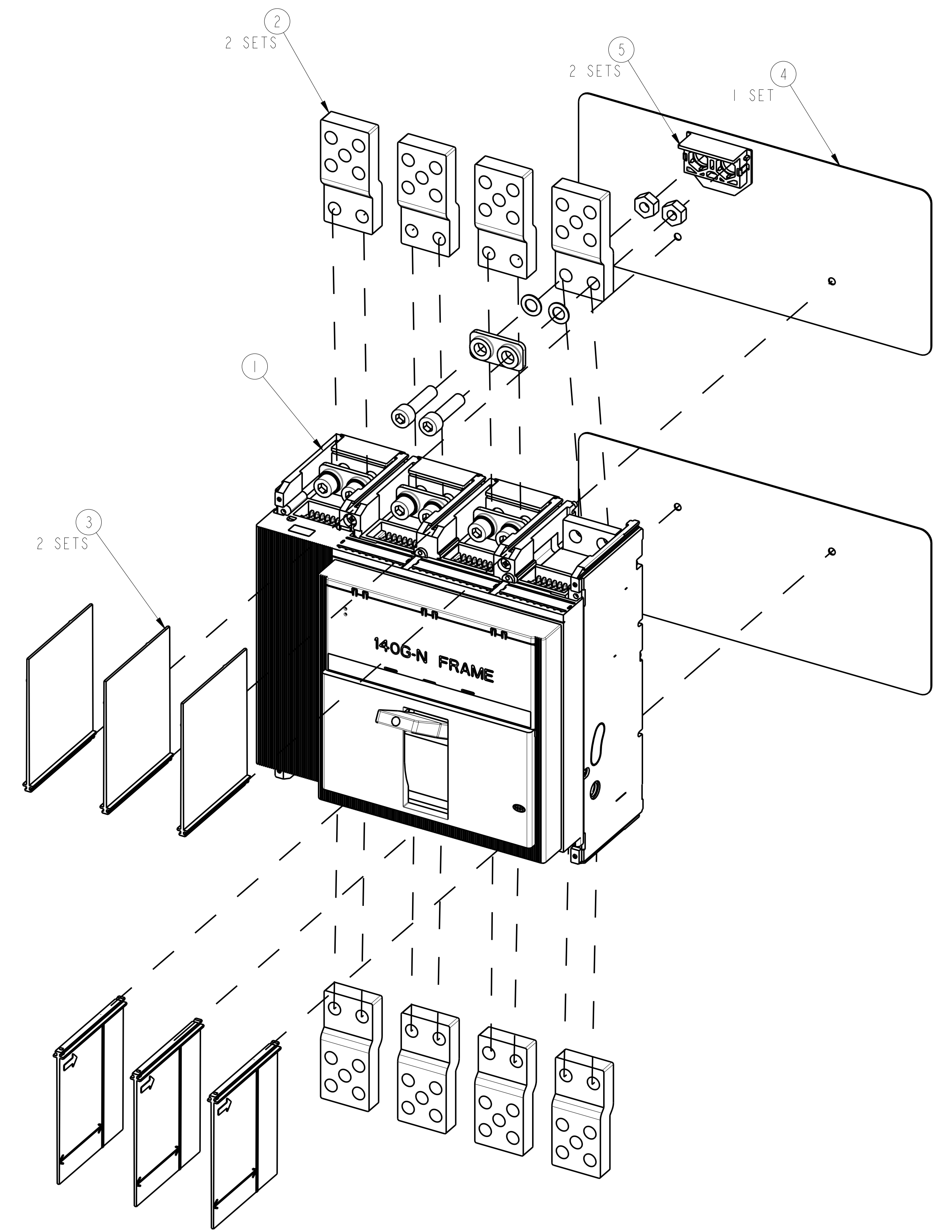
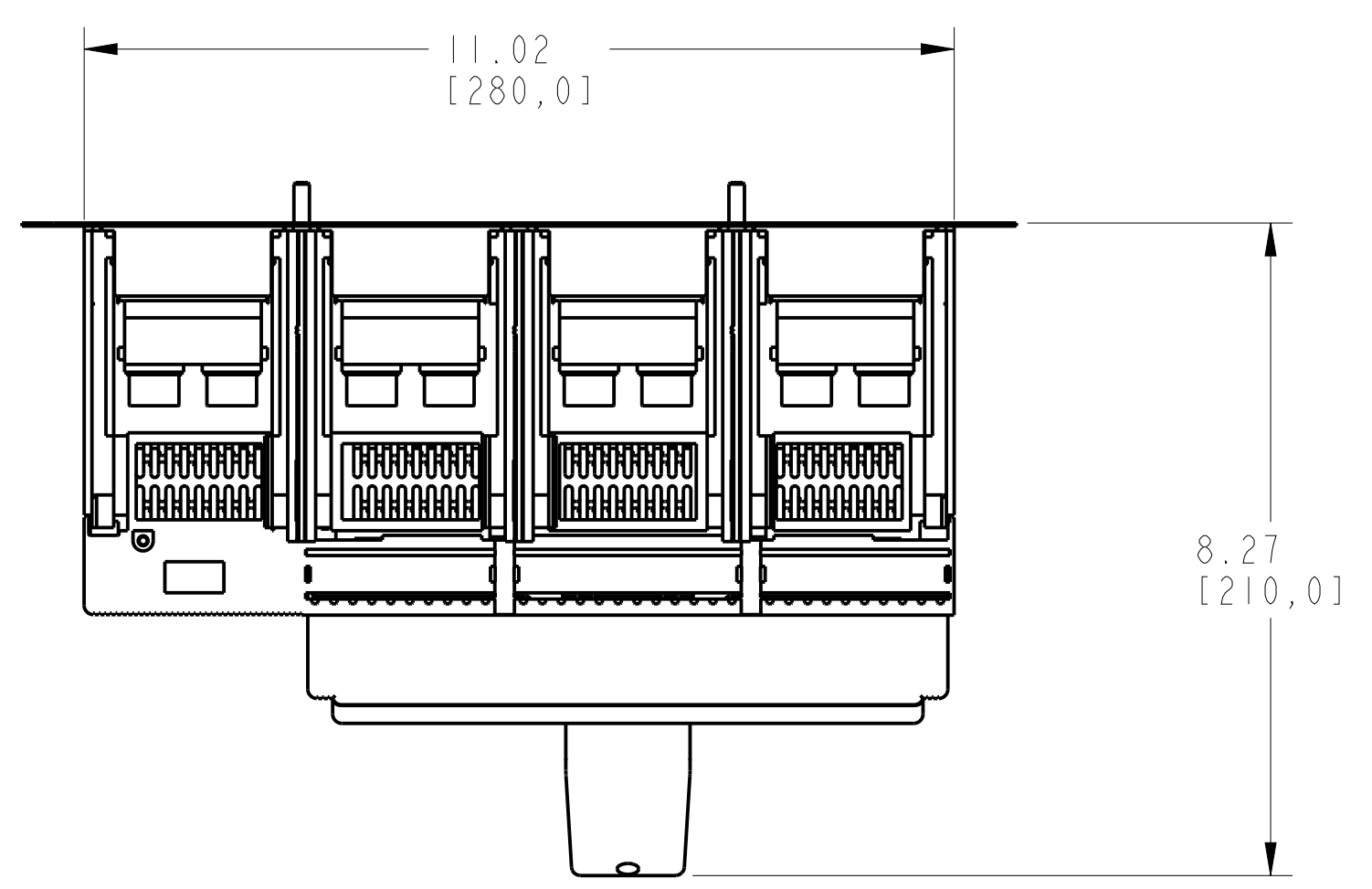


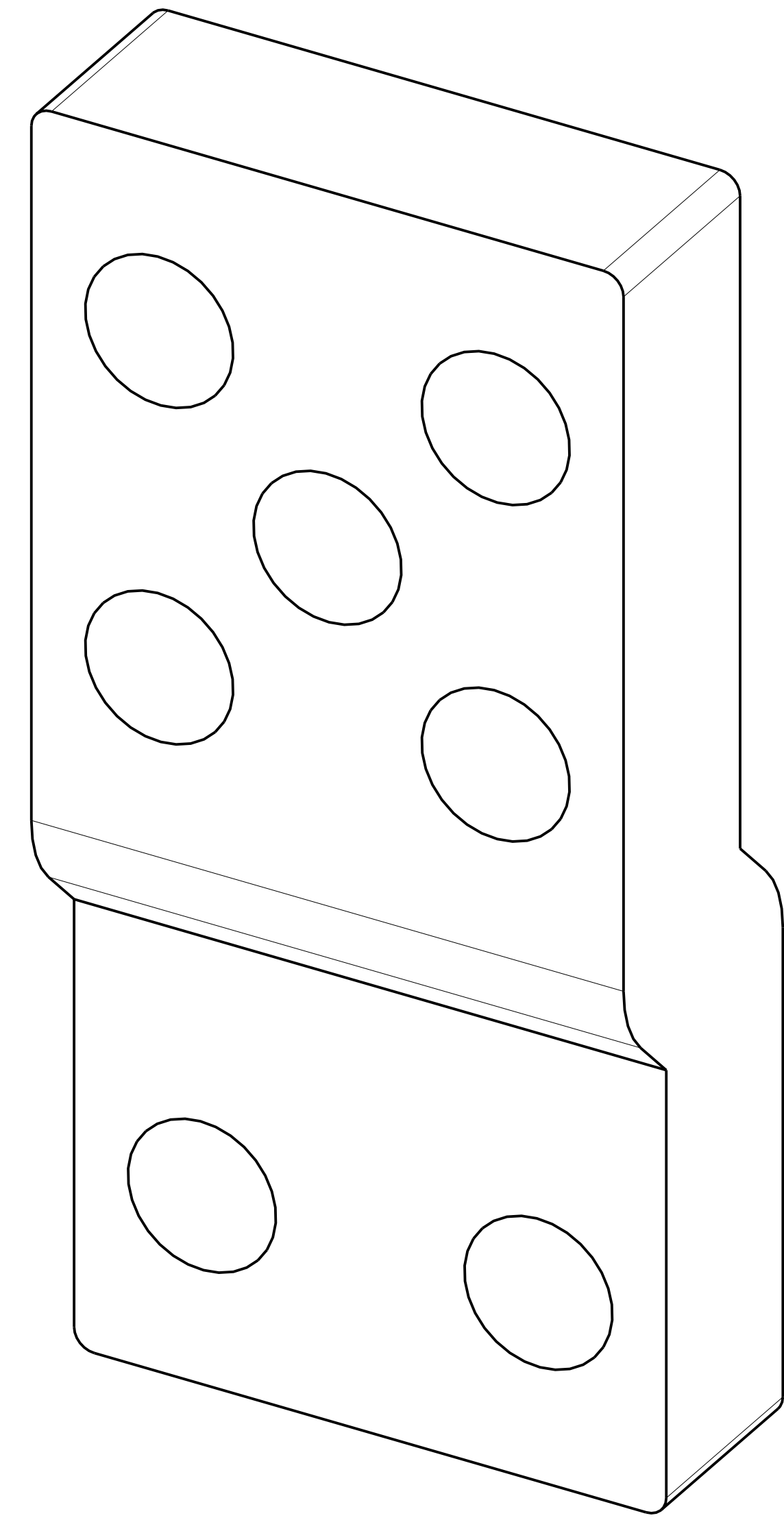
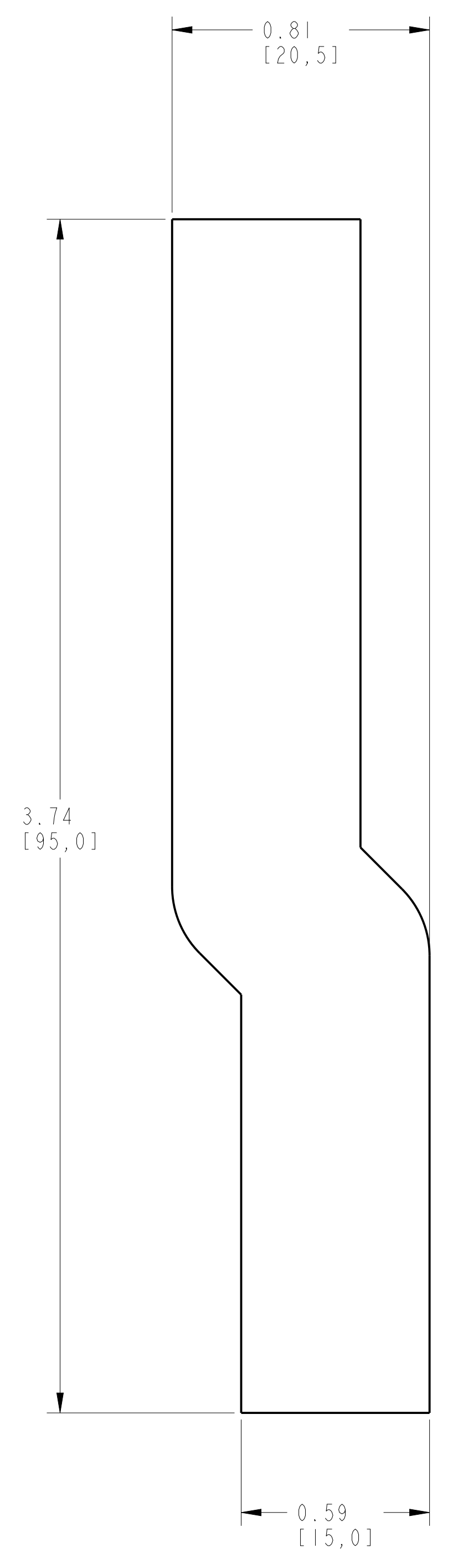
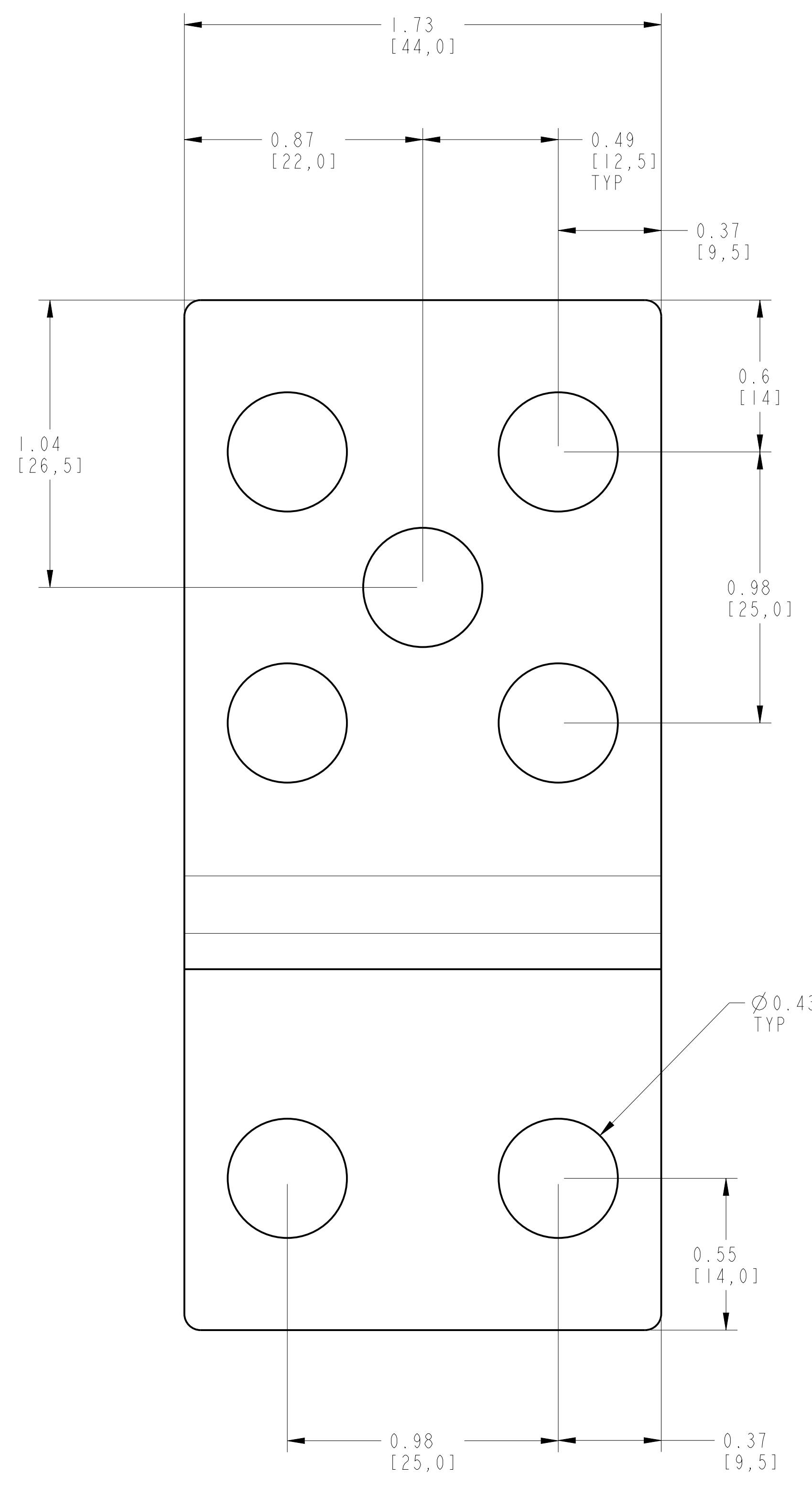
FRONT EXTENDED TERMINAL ASSEMBLY			
ITEM	DESCRIPTION	QTY	AB CAT NUMBER
1	MOLDED CASE CIRCUIT BREAKER	1	140G-N-4P CB
2	FRONT EXTENDED TERMINAL (4 PCS)	2 SETS	140G-N-EXT4
3	PHASE BARRIERS LOW 3 POLE (3 PCS)	2 SETS	140G-N-PB3L
4	INSULATION BACK PLATE (2 PCS)	1 SET	-
5	ENDCAP ASSEMBLY (4 PCS)	2 SETS	-



FRONT EXTENDED TERMINAL ASSEMBLED TO 140G-N-4-POLE
SCALE 0.45:1

1 2 3 4 5 6 7 8

A
B
C
D
E
F
G
H



ISOMETRIC VIEW

ITEM 2 : FRONT EXTENDED TERMINAL

SCALE 3:1

		<small>CONFIDENTIAL AND PROPRIETARY INFORMATION. THIS DOCUMENT CONTAINS CONFIDENTIAL AND PROPRIETARY INFORMATION OF ROCKWELL AUTOMATION, INC. AND MAY NOT BE USED, COPIED OR DISCLOSED TO OTHERS, EXCEPT WITH THE AUTHORIZED WRITTEN PERMISSION OF ROCKWELL AUTOMATION, INC.</small>	
		Sheet 2 Of 2	
EXTND TERMINAL ASSEMBLED TO 140G-N-4P CB		Size D	Ver 00
Drawn by: UMUNUSW	Date: OCT-17-2013	10000909621	