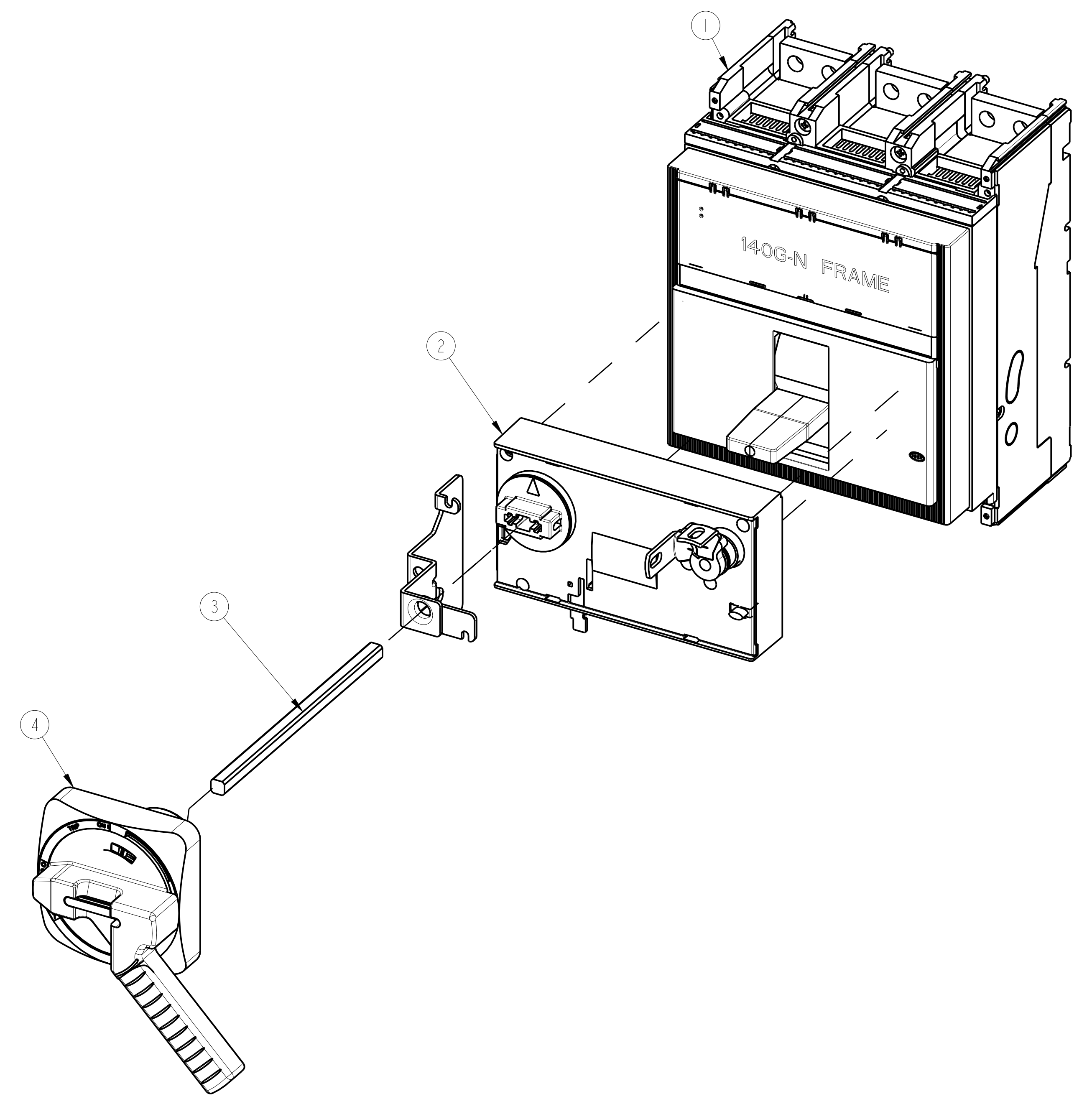
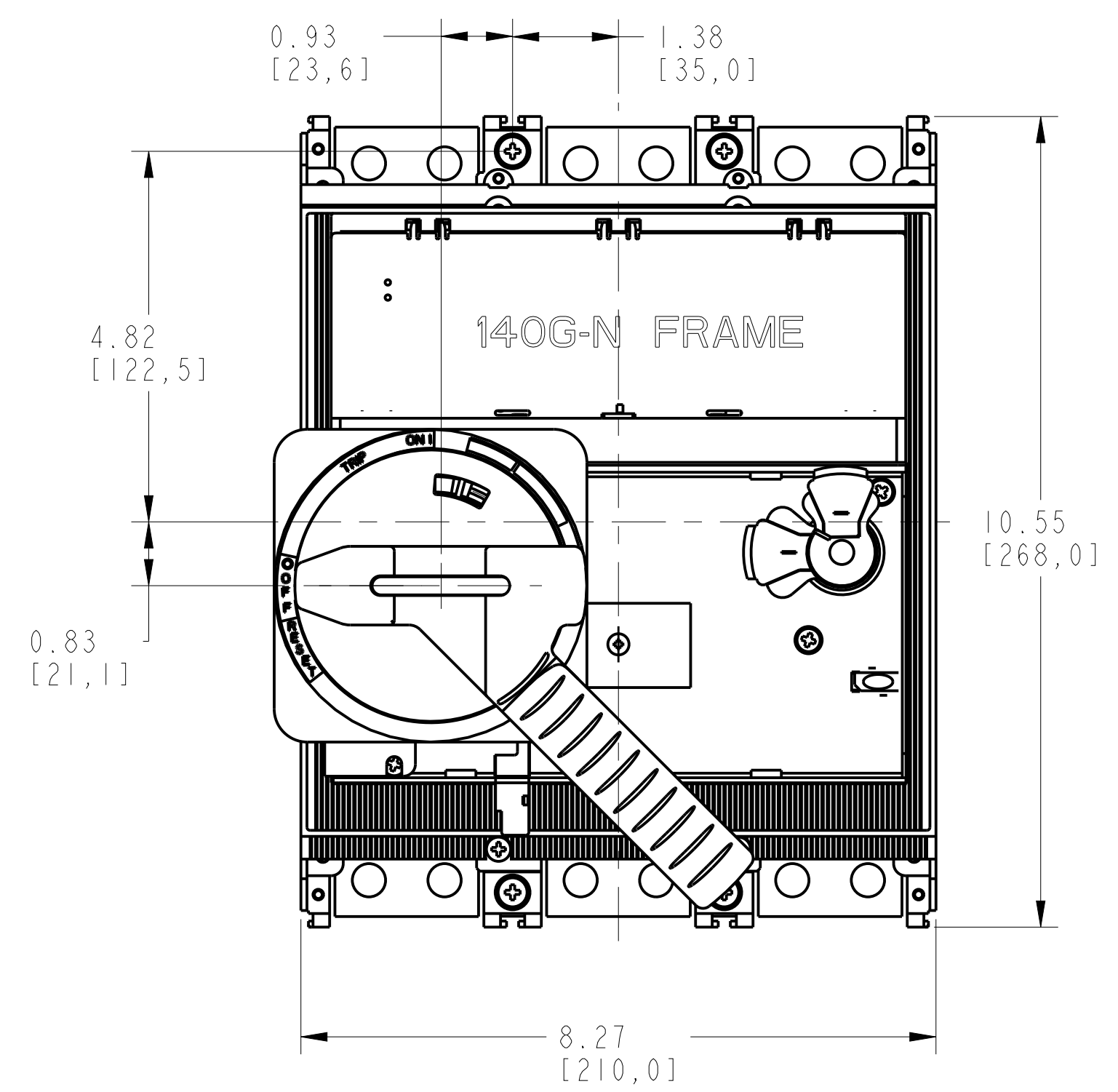
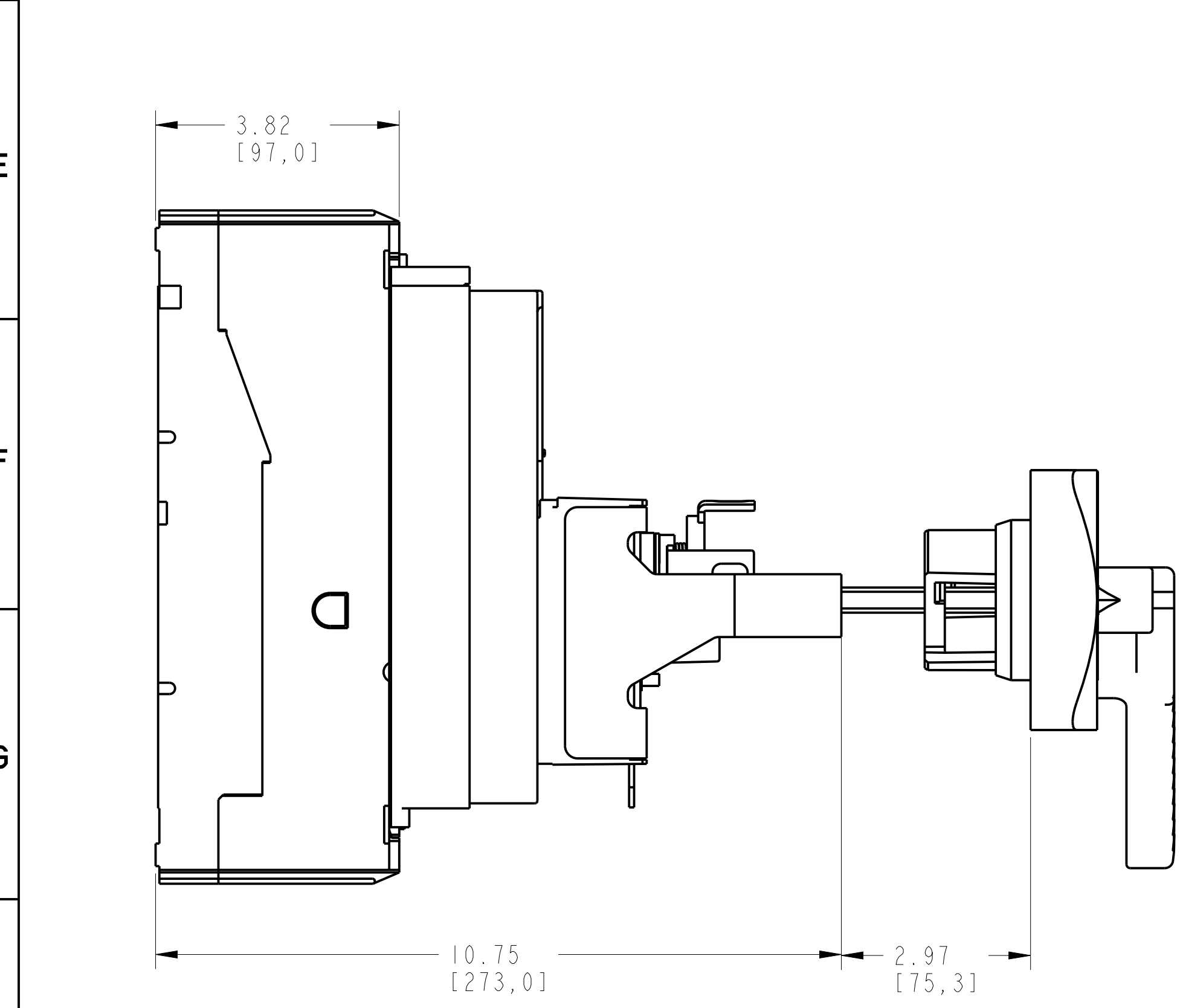
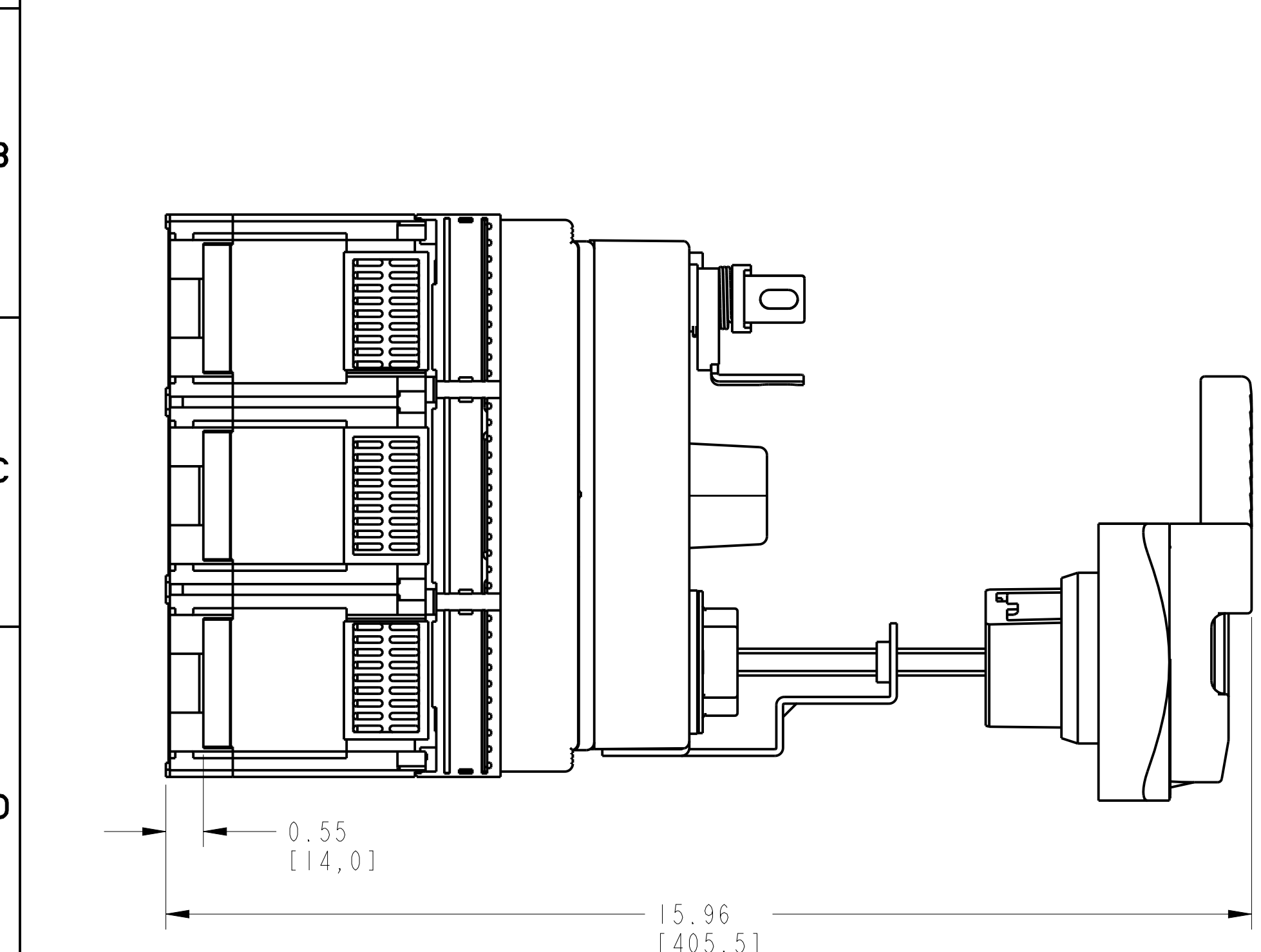
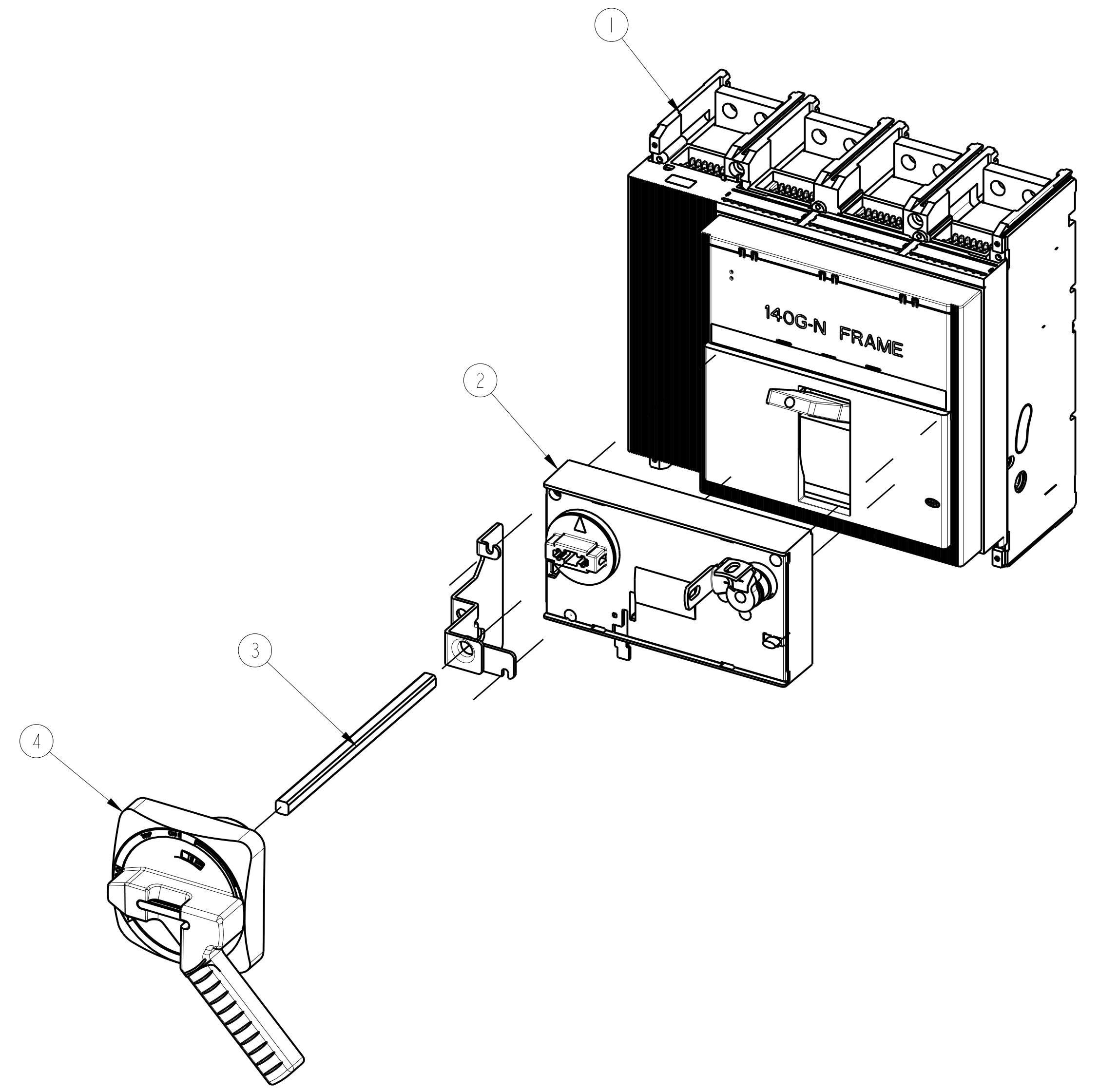
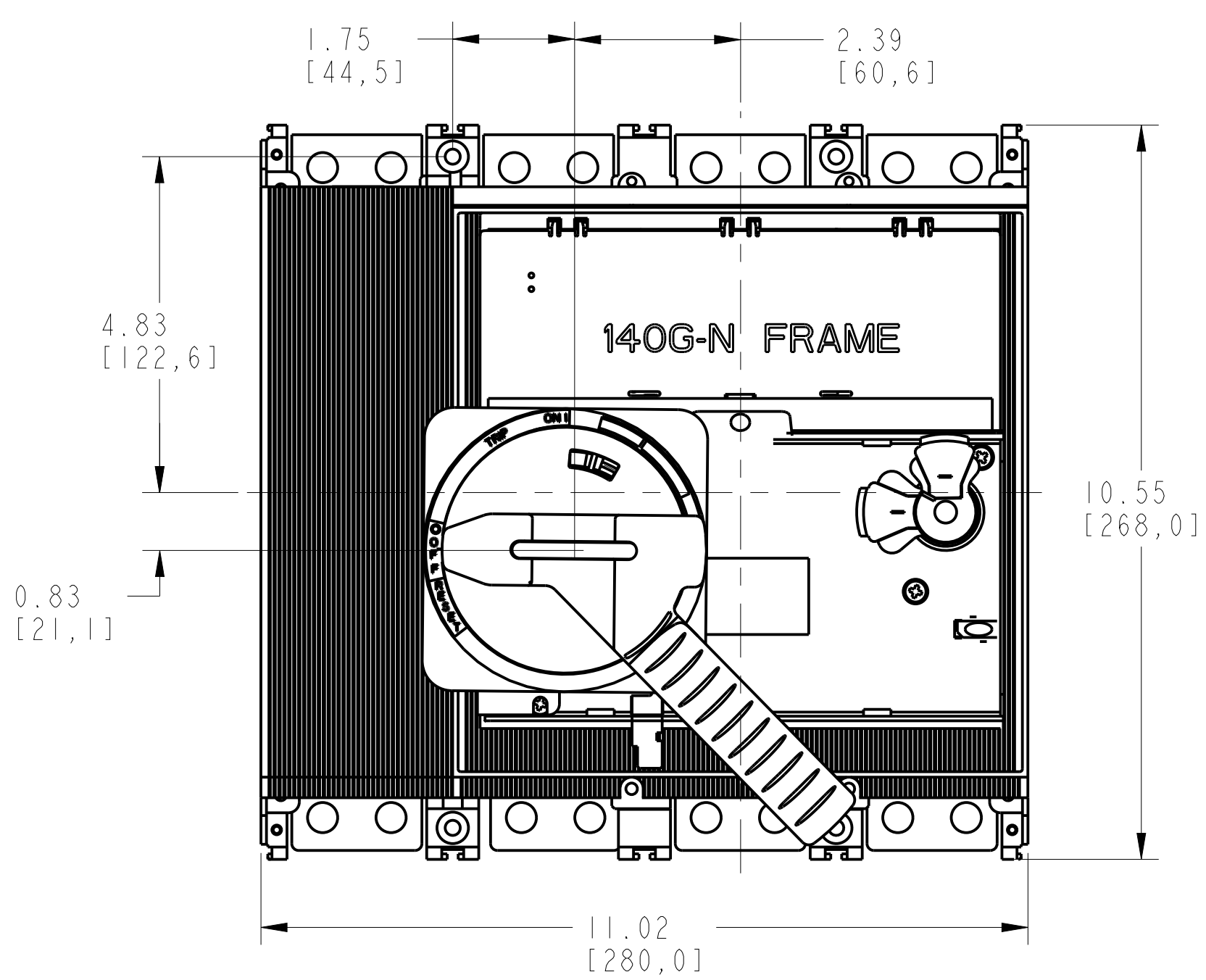
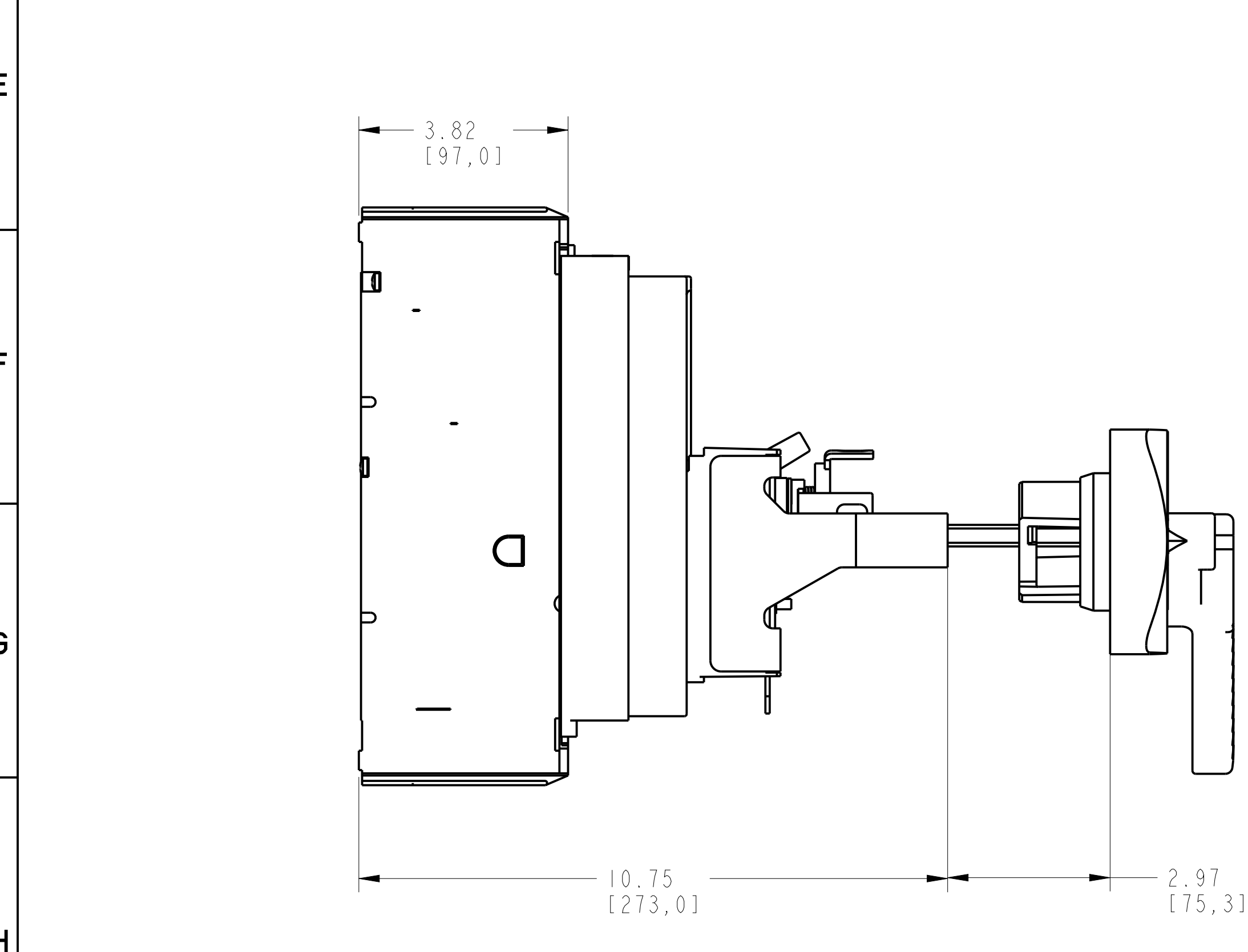
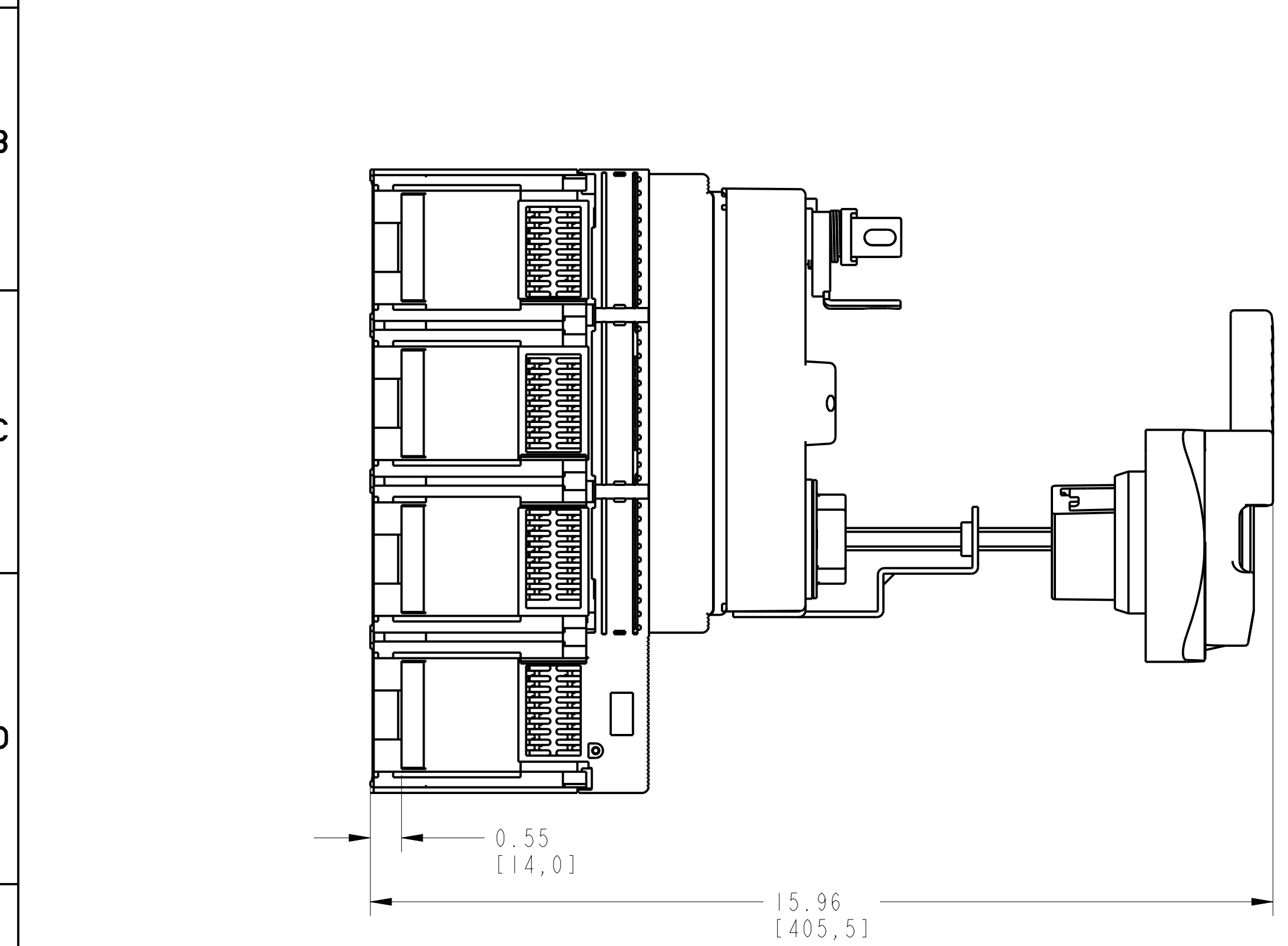


ROTARY HANDLE MECHANISM ASSEMBLY			
ITEM	DESCRIPTION	QTY	AB CAT NUMBER
1	MOLDED CASE CIRCUIT BREAKER	1	140G-N-3P CB
2	ROTARY HANDLE MECHANISM	1	140G-N-RMX
3	OPERATING SHAFT	1	-
4	ROTARY EXTERNAL HANDLE	1	140U-HM4



ROTARY HANDLE MECHANISM ASSEMBLED TO 140G-N-3-POLE
SCALE 0.5 : 1

ROTARY HANDLE MECHANISM ASSEMBLY			
ITEM	DESCRIPTION	QTY	AB CAT NUMBER
1	MOLDED CASE CIRCUIT BREAKER	1	140G-N-4P CB
2	ROTARY HANDLE MECHANISM	1	140G-N-RMX
3	OPERATING SHAFT	1	-
4	ROTARY EXTERNAL HANDLE	1	140U-HM4



ROTARY HANDLE MECHANISM ASSEMBLED TO 140G-N-4-POLE
SCALE 0.5 : 1

1

2

3

4

5

6

7

8

A

B

C

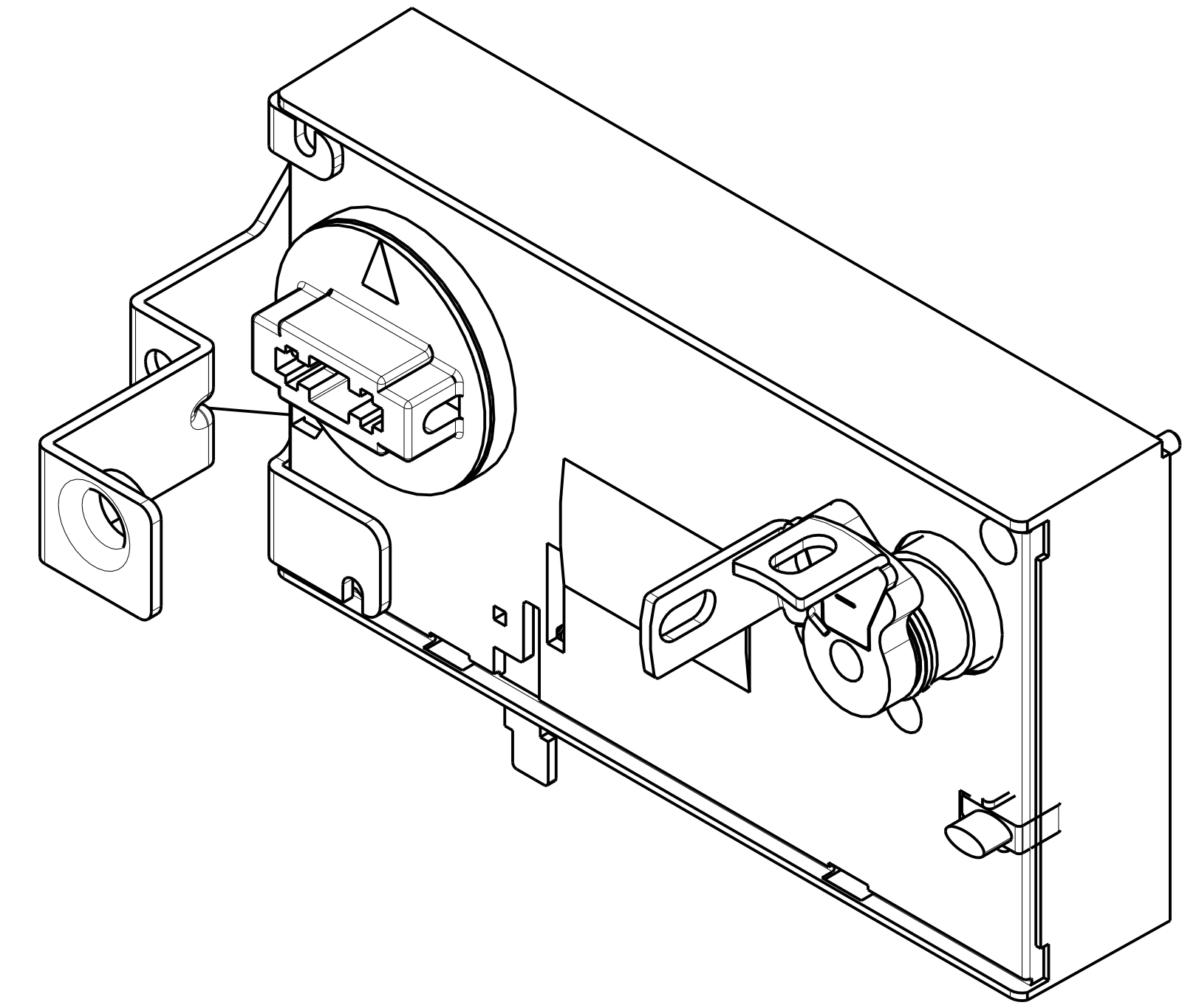
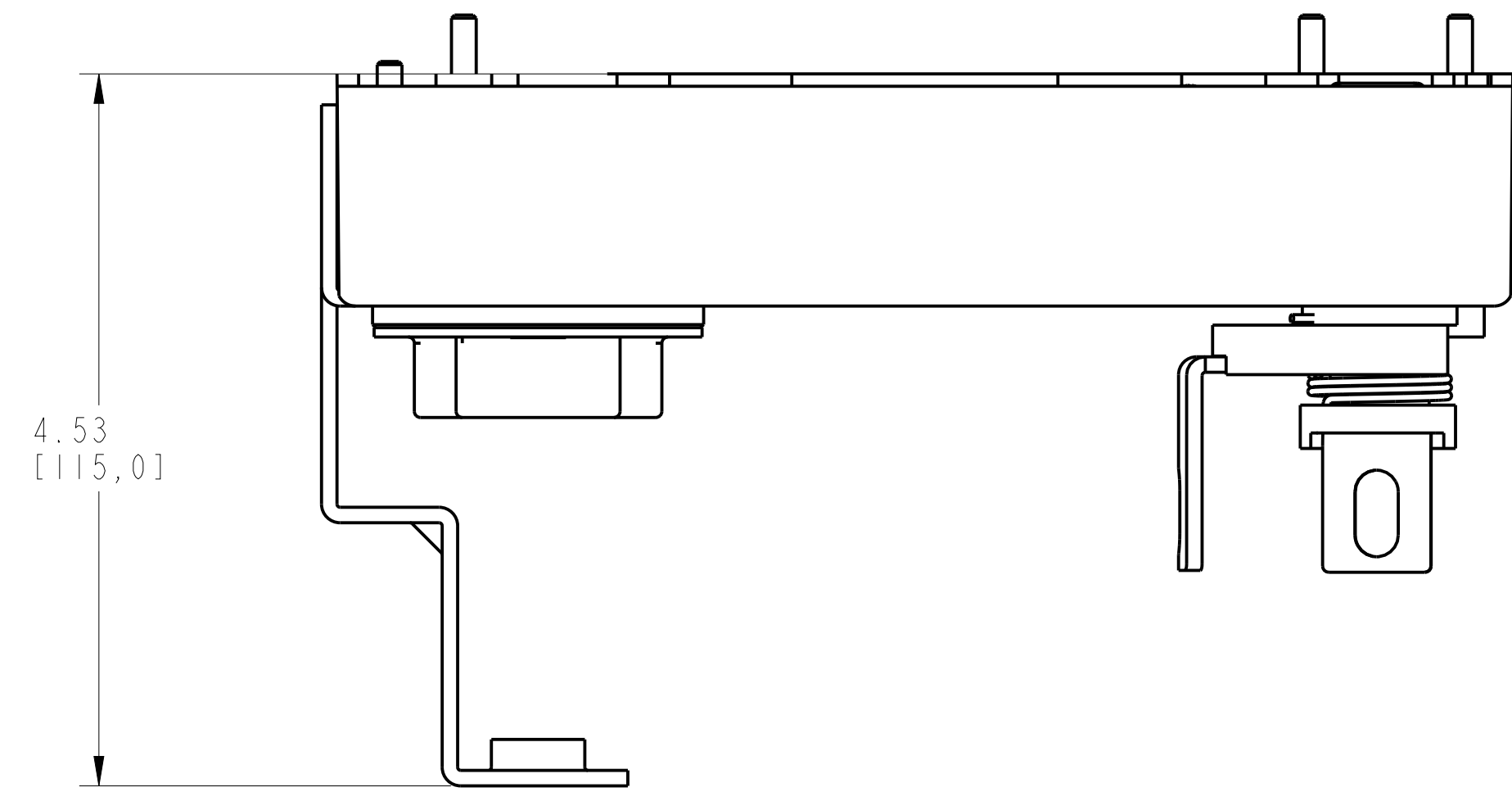
D

E

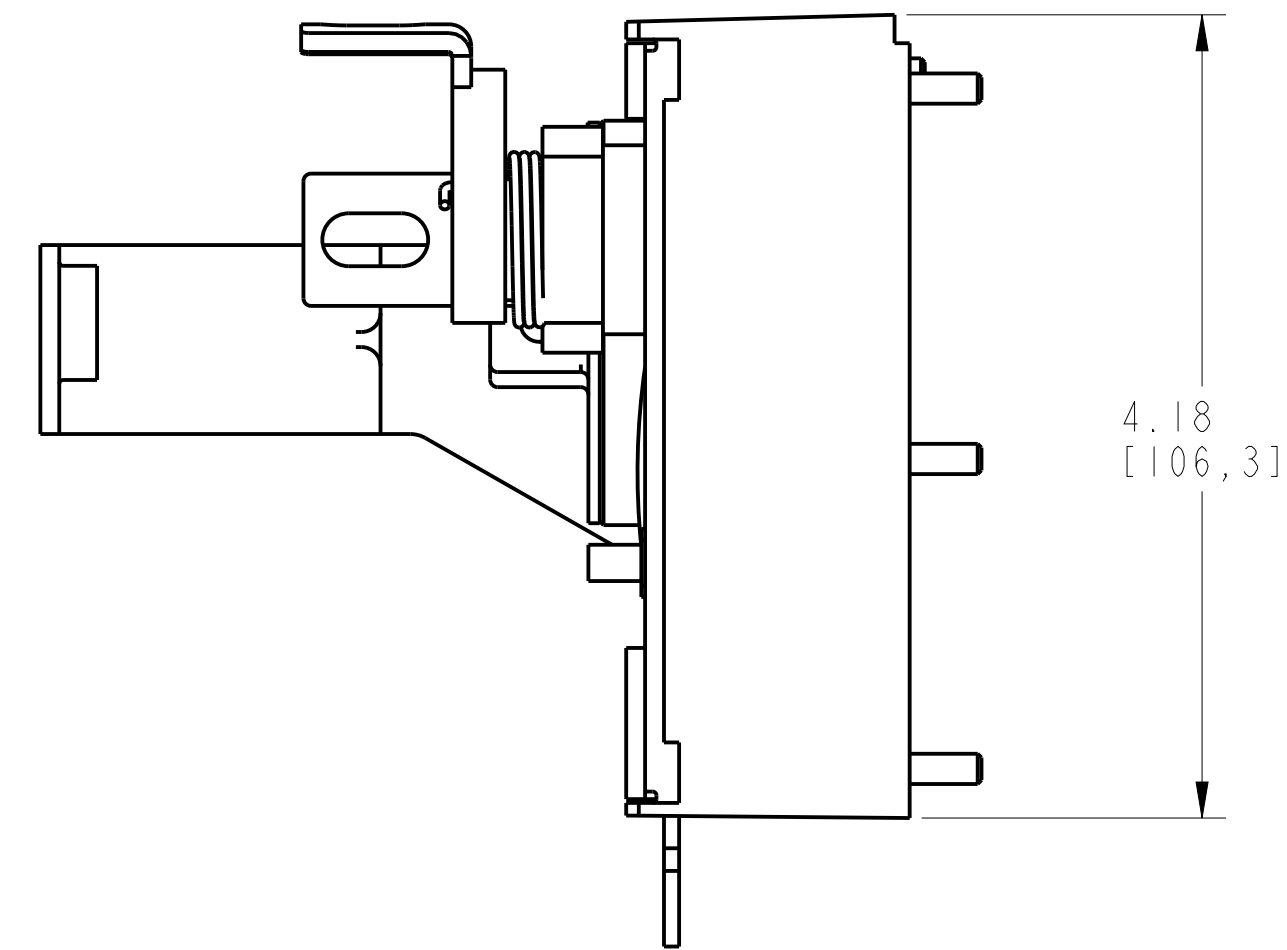
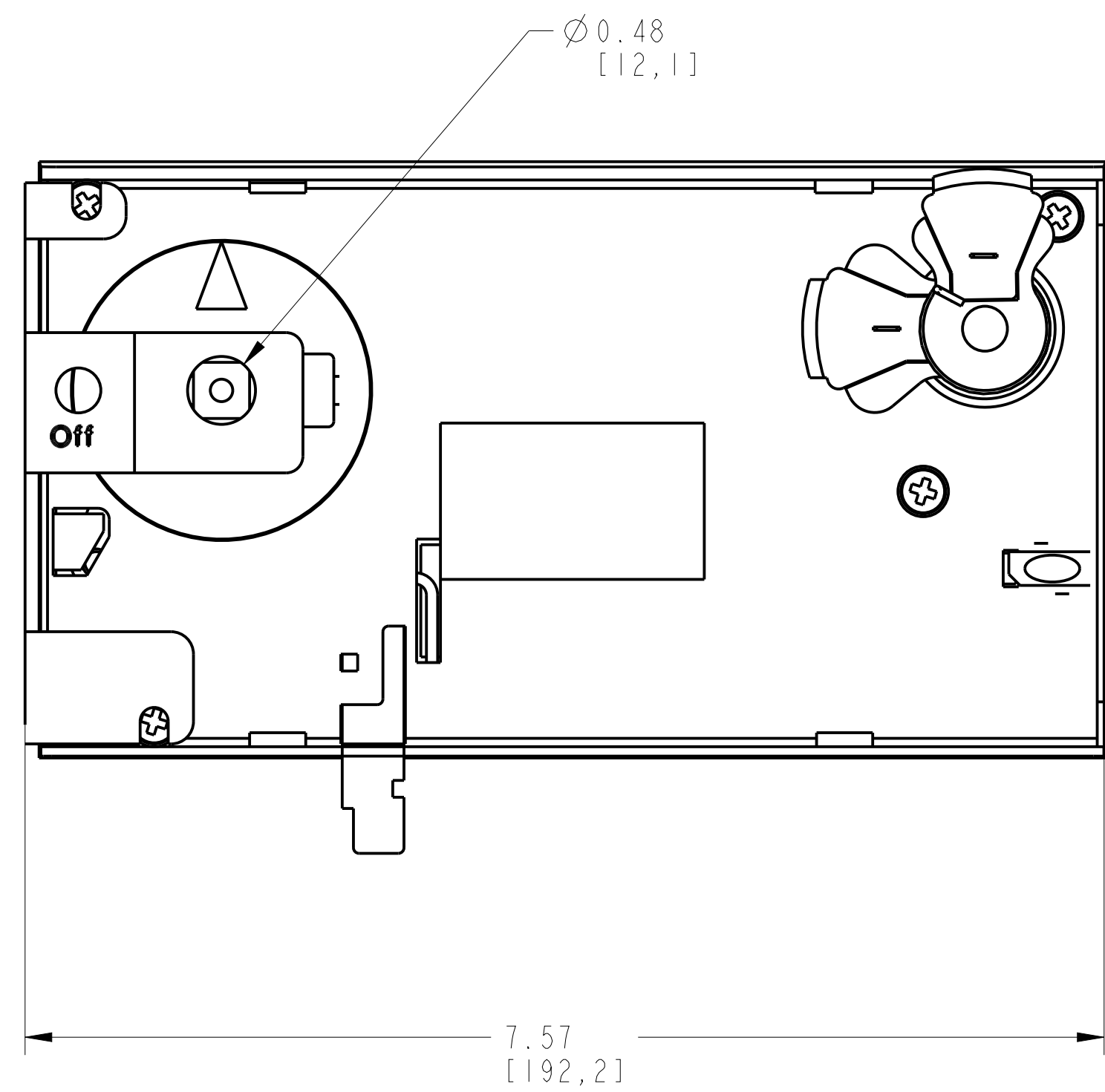
F

G

H



ISOMETRIC VIEW

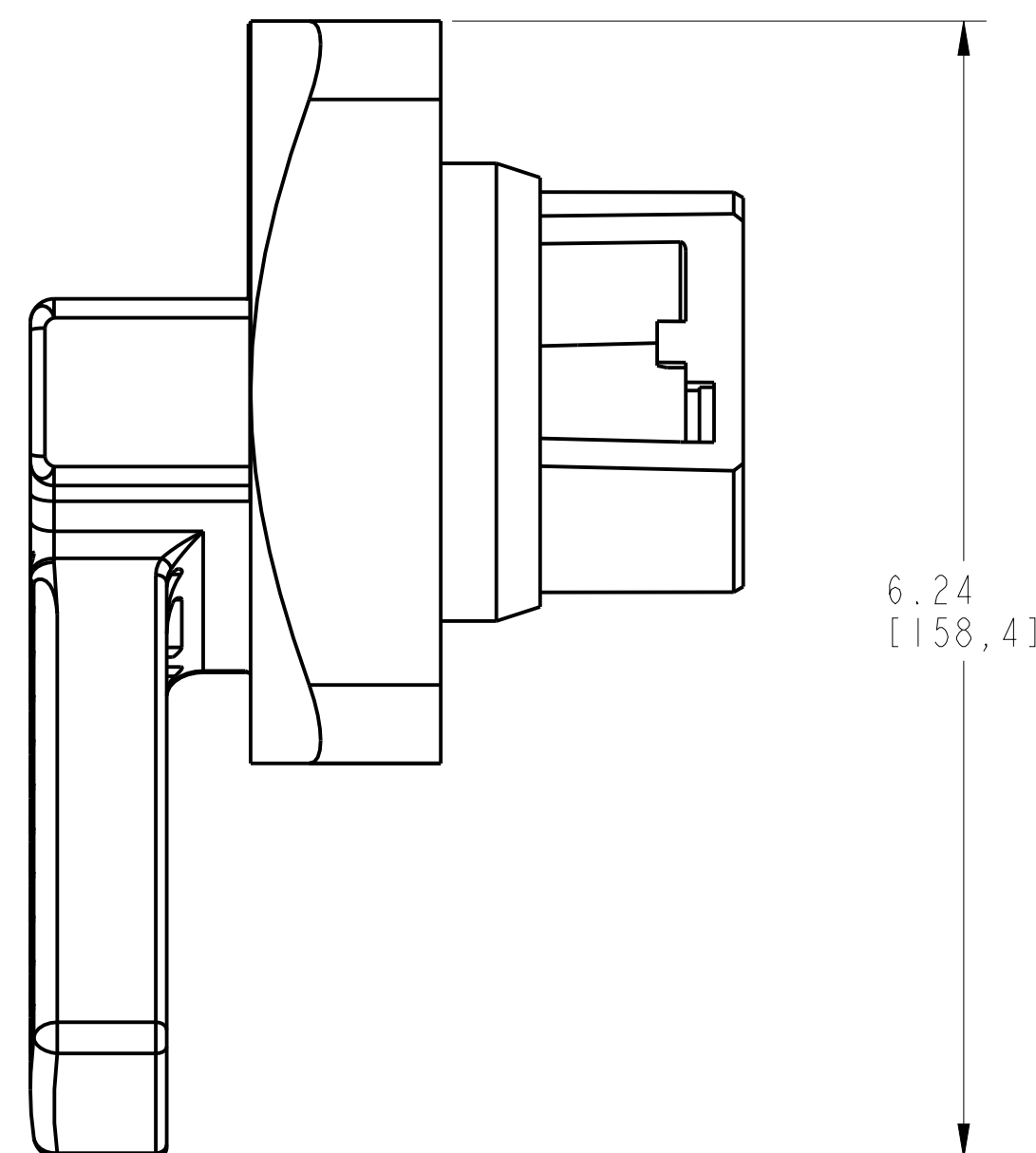
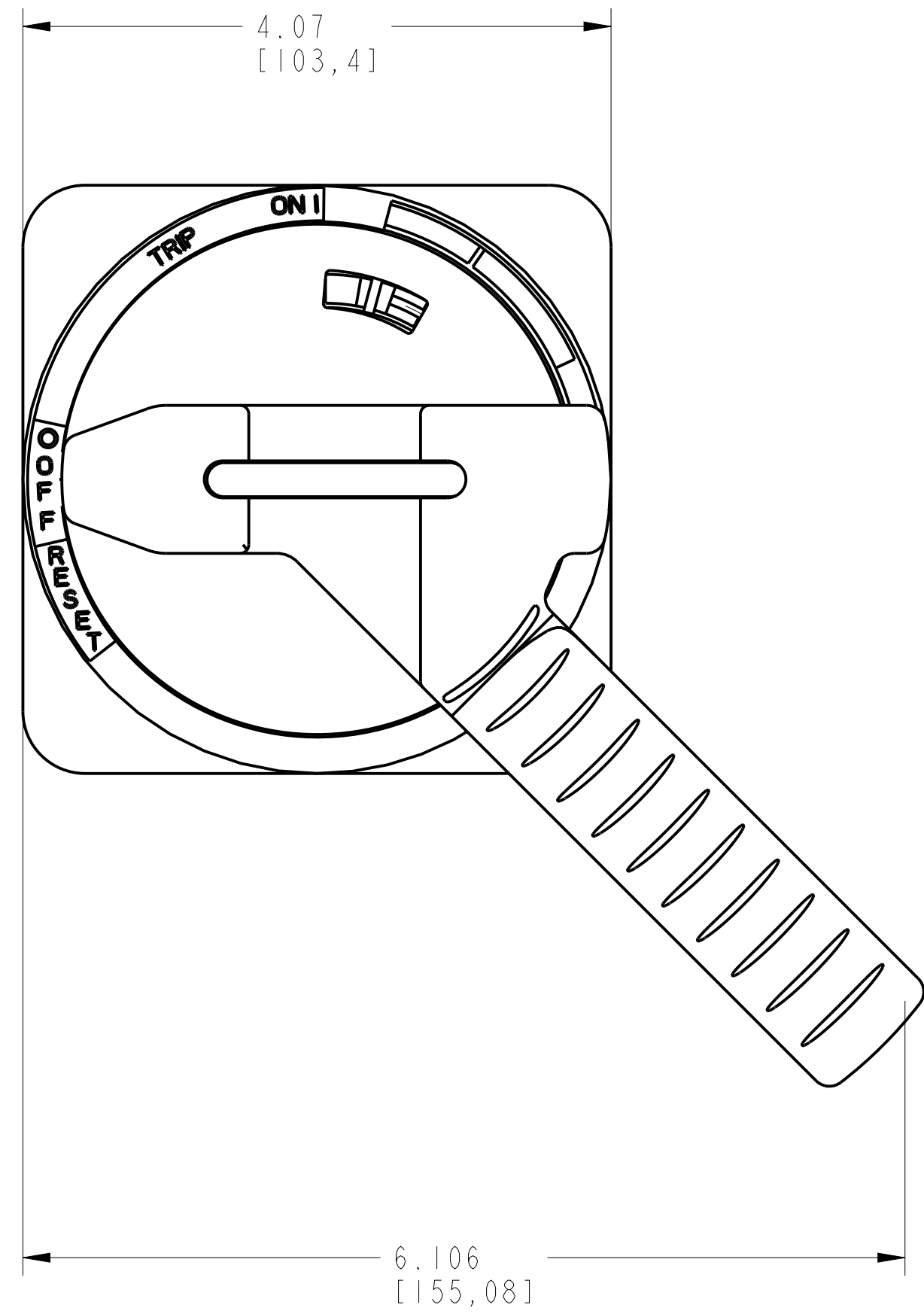
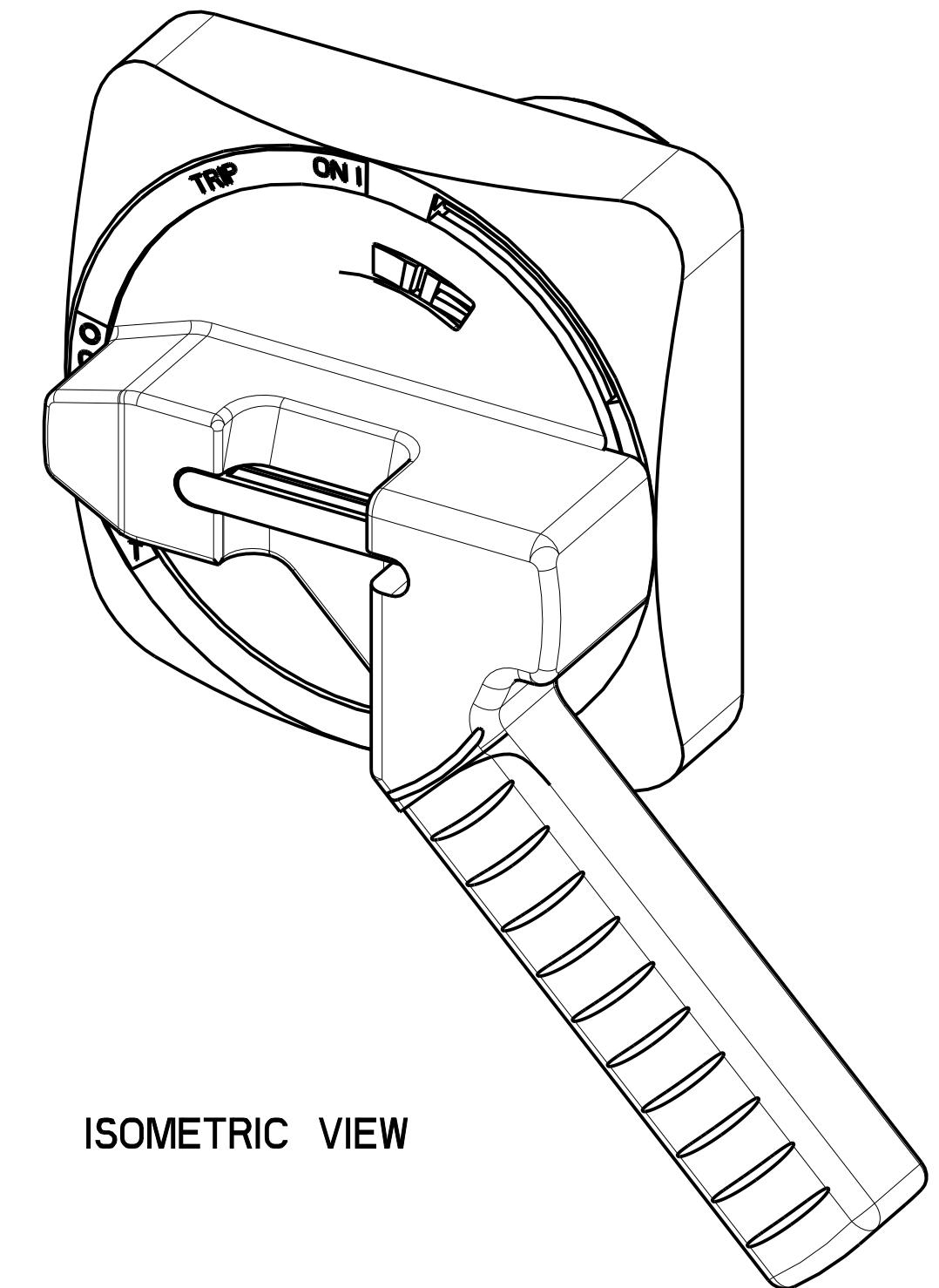
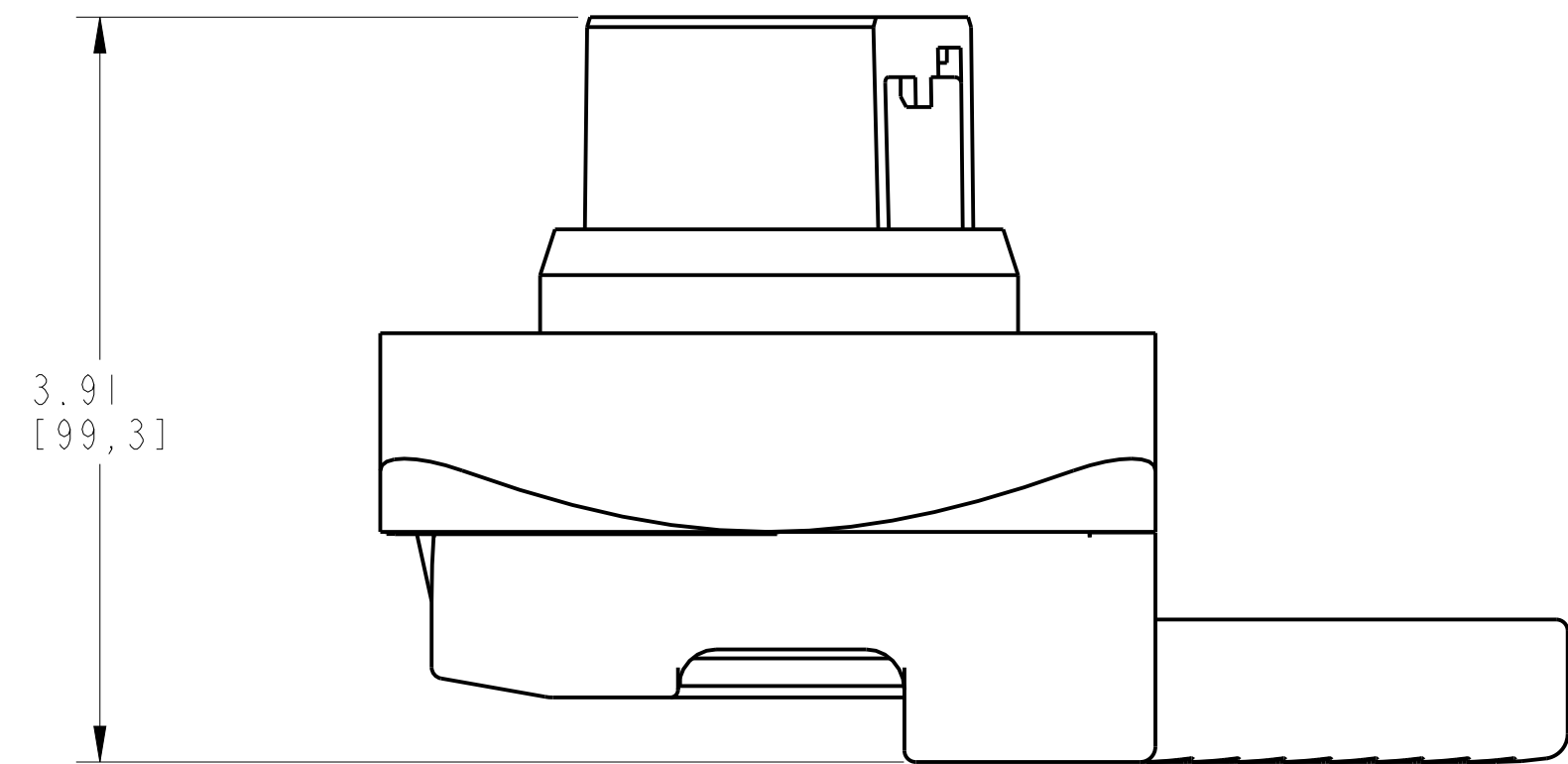


ITEM 2 : ROTARY HANDLE MECHANISM
SCALE 1:1

		<small>CONFIDENTIAL AND PROPRIETARY INFORMATION THIS DOCUMENT CONTAINS CONFIDENTIAL AND PROPRIETARY INFORMATION OF ROCKWELL AUTOMATION, INC. AND MAY NOT BE USED, COPIED OR DISCLOSED TO OTHERS, EXCEPT WITH THE AUTHORIZED WRITTEN PERMISSION OF ROCKWELL AUTOMATION, INC.</small>	
		Sheet 3 Of 4	
RMX ASSEMBLED TO 140G-N-3P & 4P CB		Size D	Ver 00
Drawn by: UMUNUSW	Date: NOV-15-2013	10000886444	

1 2 3 4 5 6 7 8

A
B
C
D
E
F
G
H



ITEM 4 : DIRECT ROTARY EXTERNAL HANDLE

SCALE 1:1

		<small>CONFIDENTIAL AND PROPRIETARY INFORMATION THIS DOCUMENT CONTAINS CONFIDENTIAL AND PROPRIETARY INFORMATION OF ROCKWELL AUTOMATION, INC. AND MAY NOT BE USED, COPIED OR DISCLOSED TO OTHERS, EXCEPT WITH THE AUTHORIZED WRITTEN PERMISSION OF ROCKWELL AUTOMATION, INC.</small>	
		Sheet 4 Of 4	
RMX ASSEMBLED TO 140G-N-3P & 4P CB		Size D	Ver 00
Drawn by: UMUNUSW	Date: NOV-15-2013	10000886444	