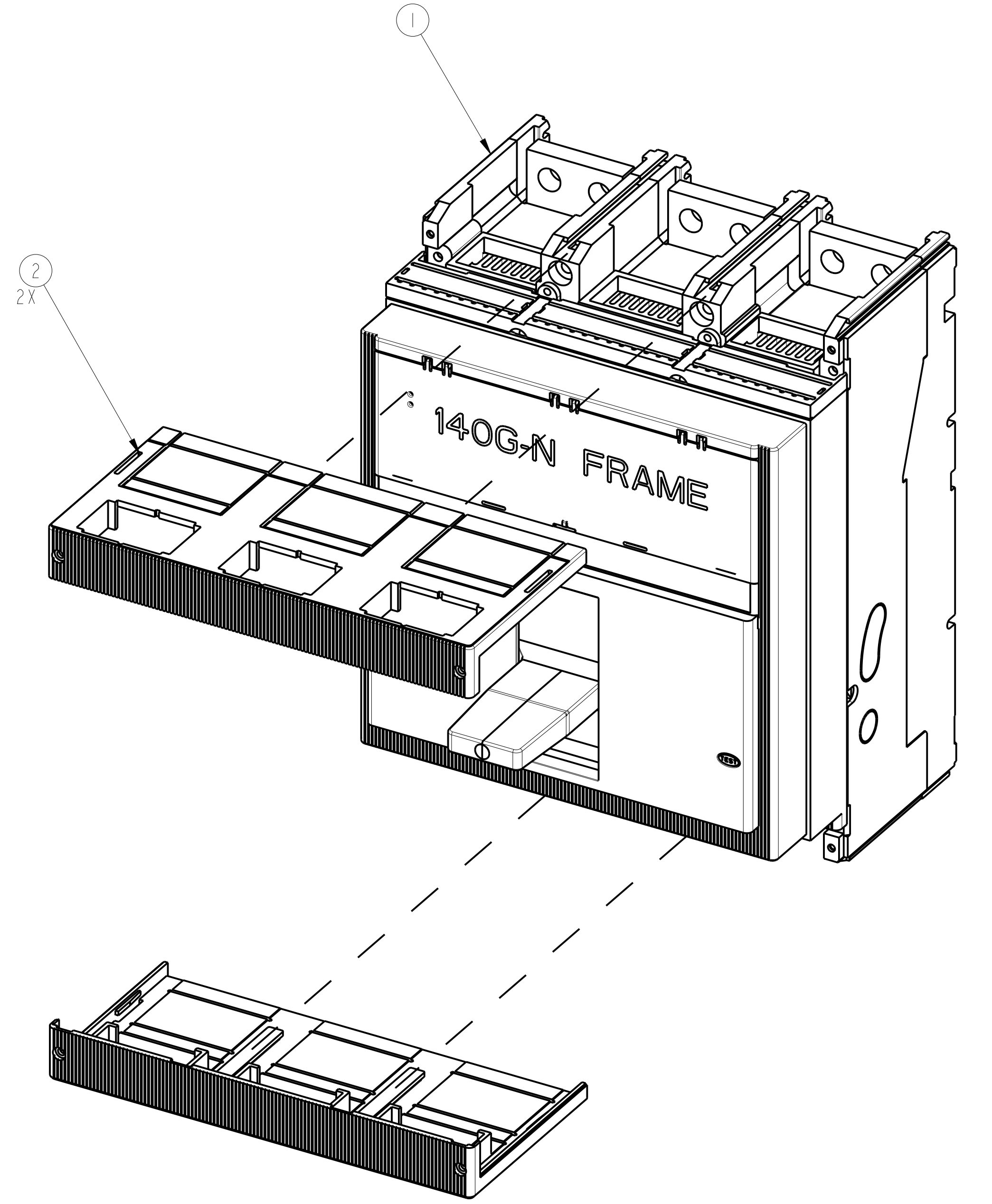
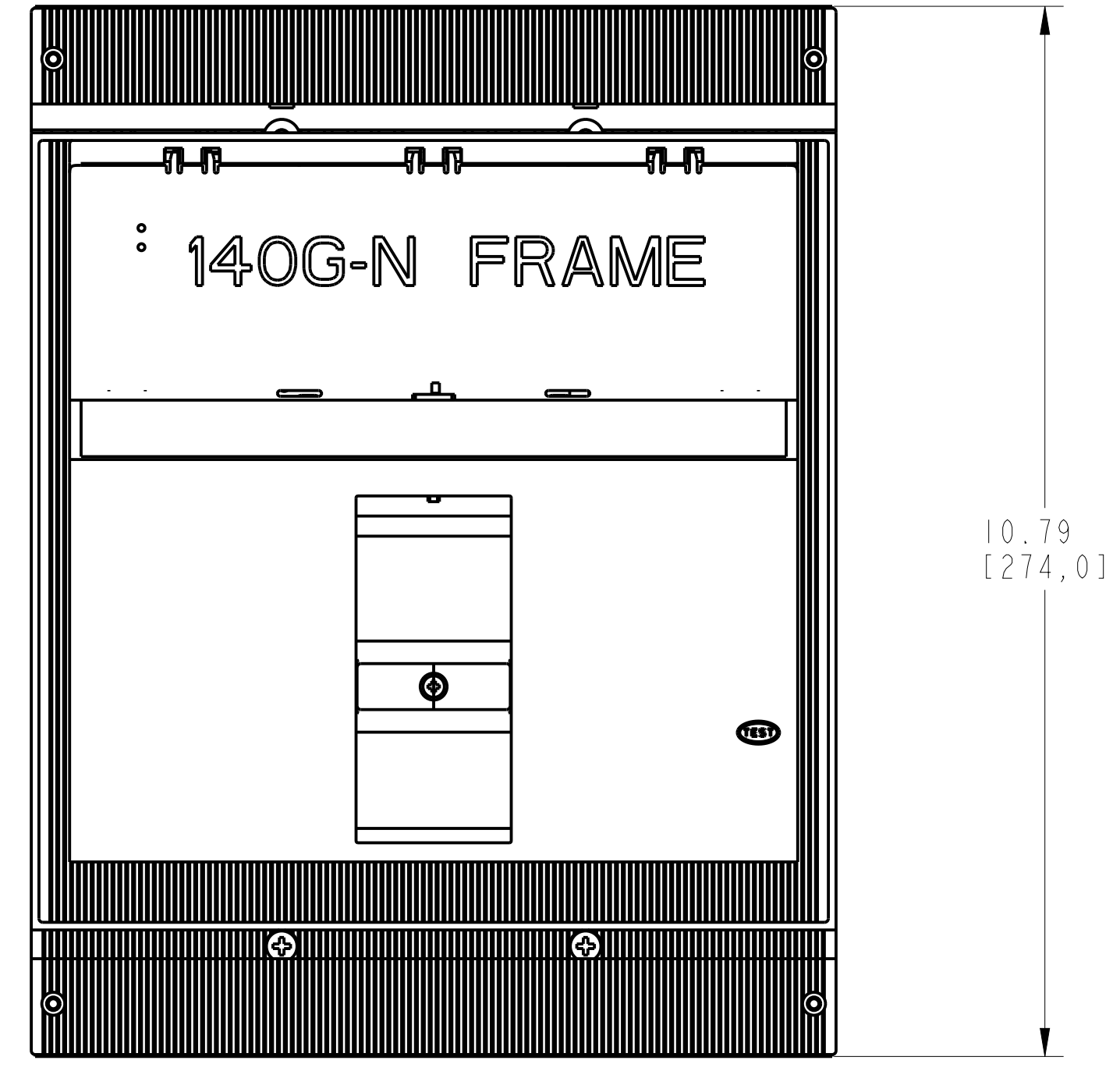
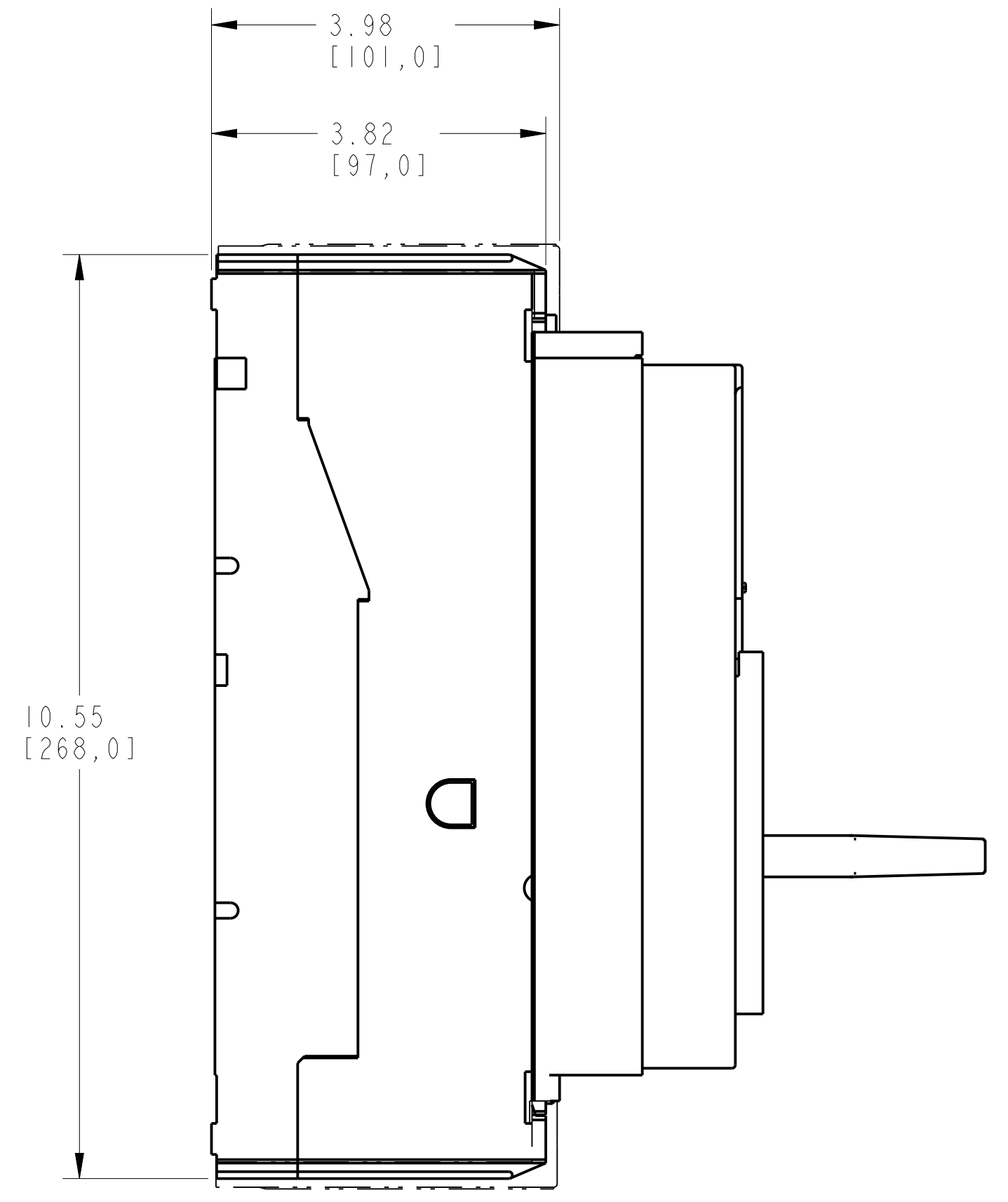
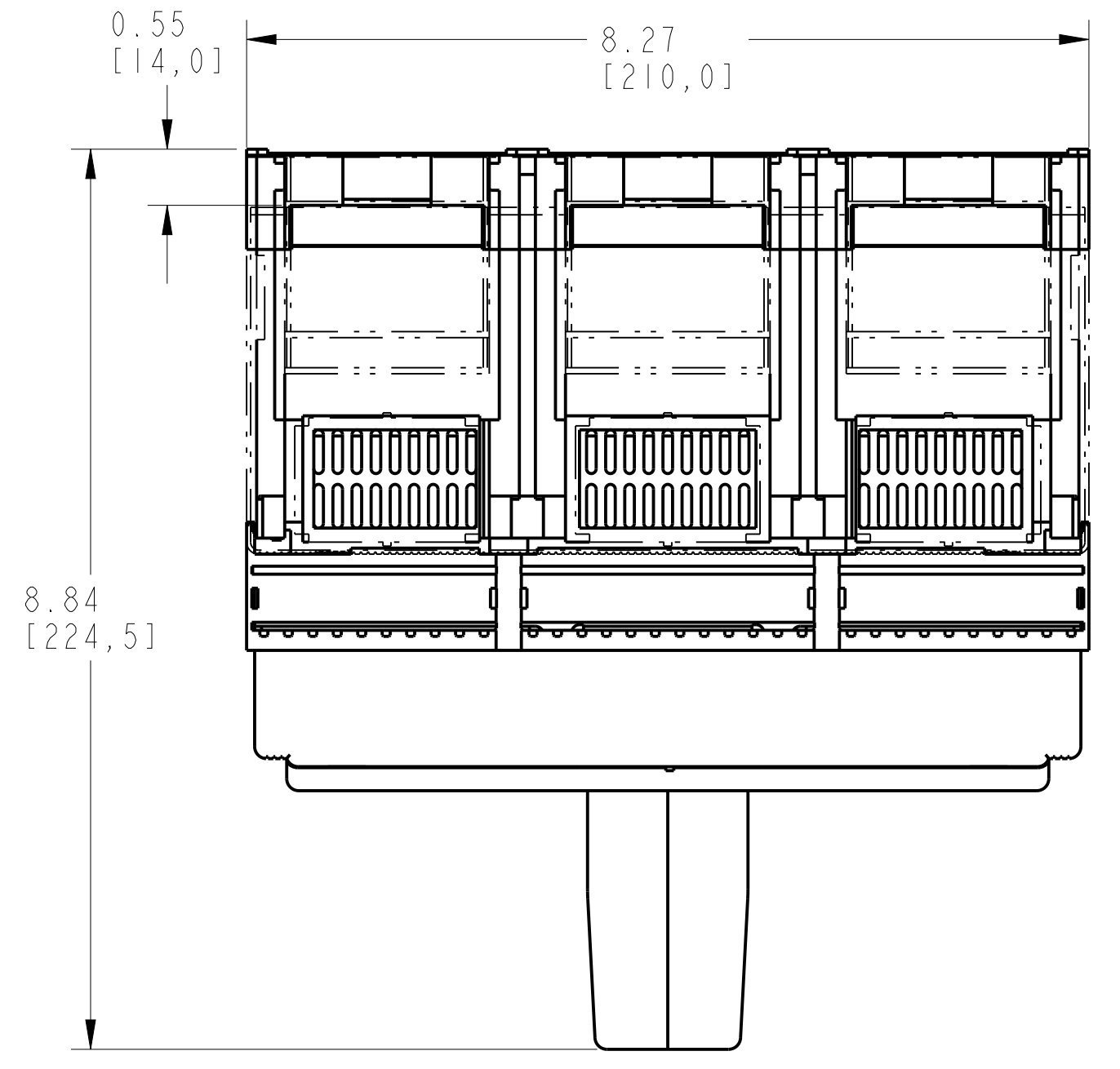
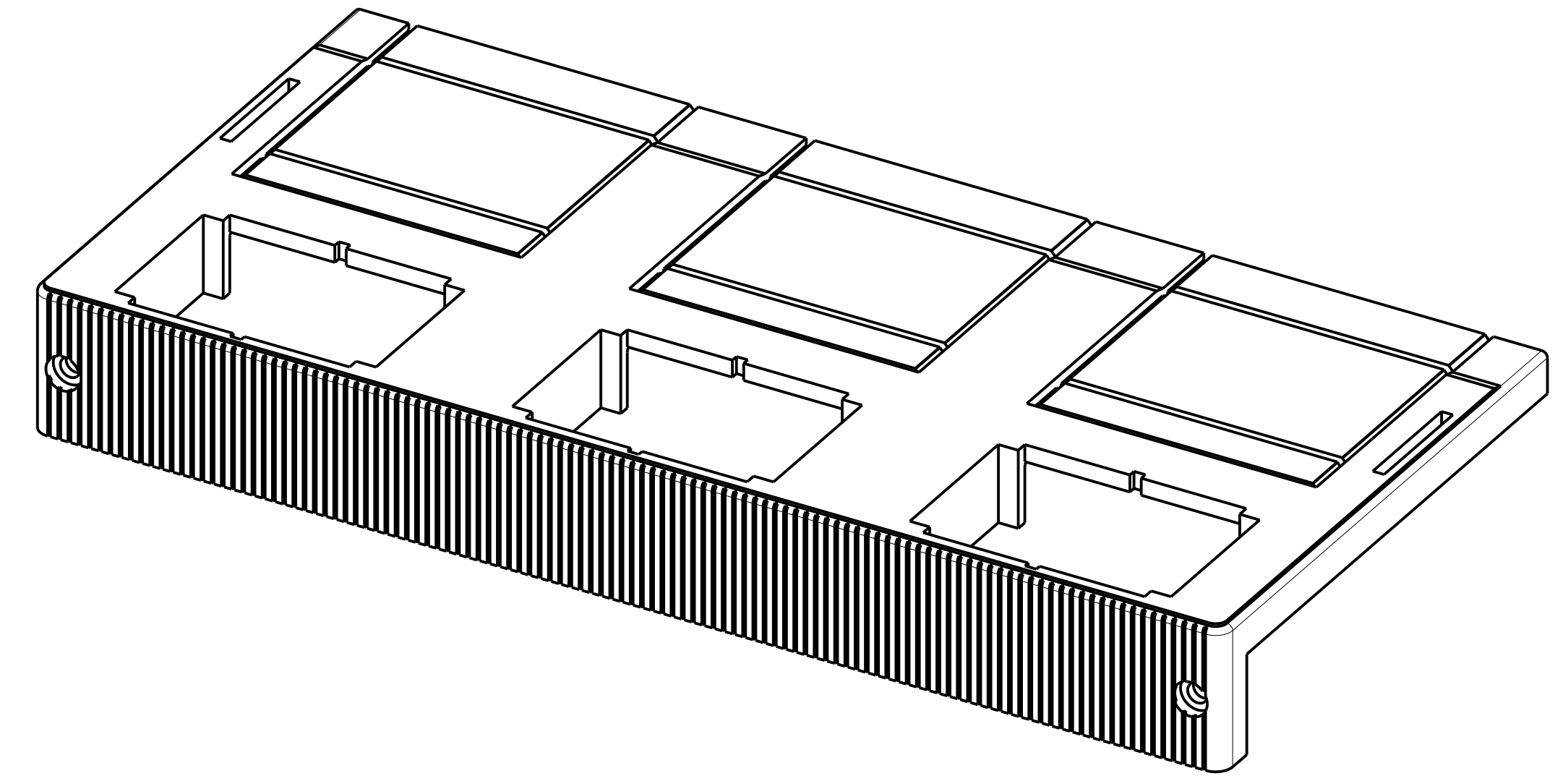
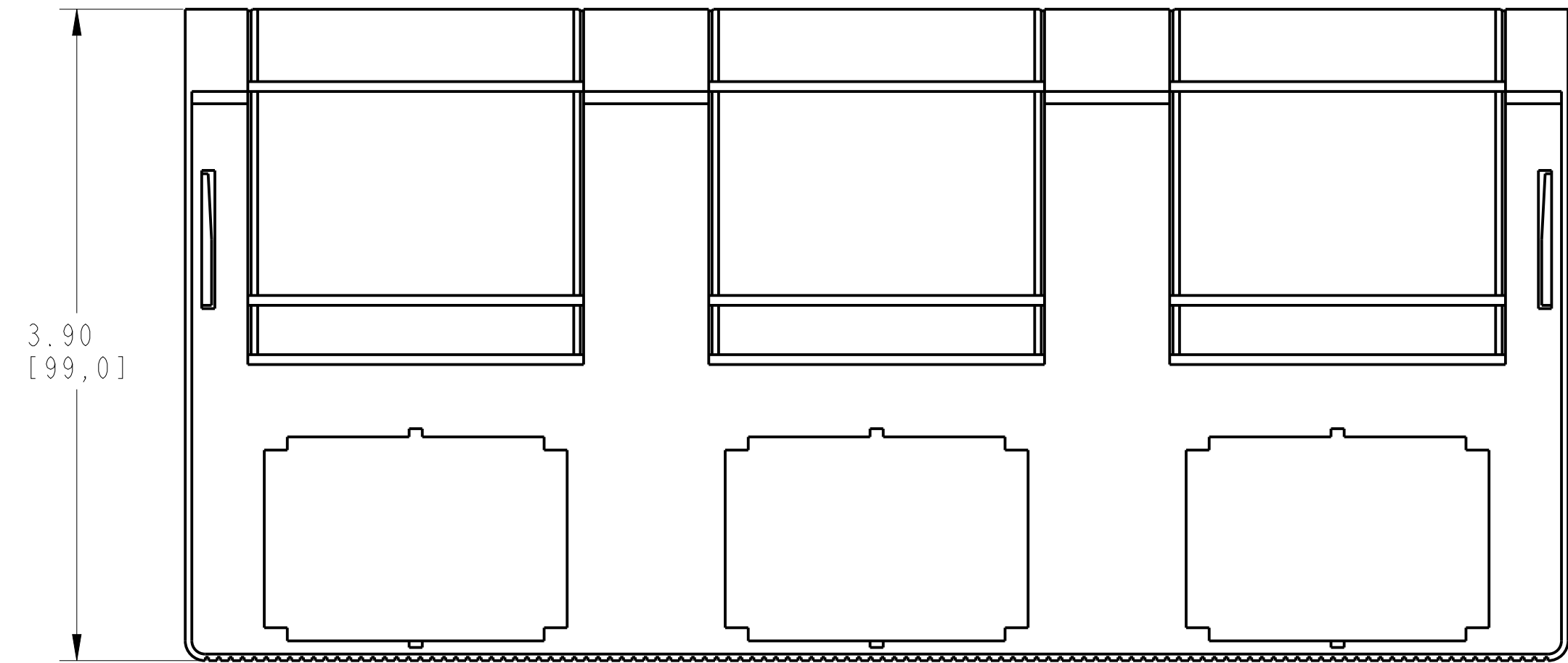


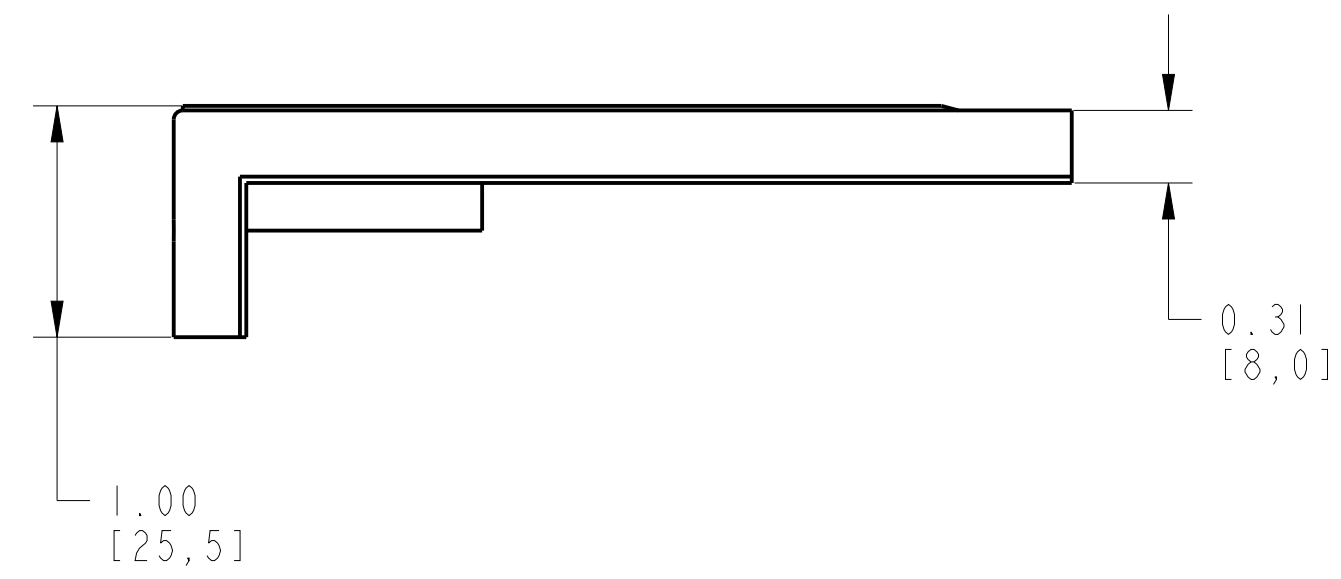
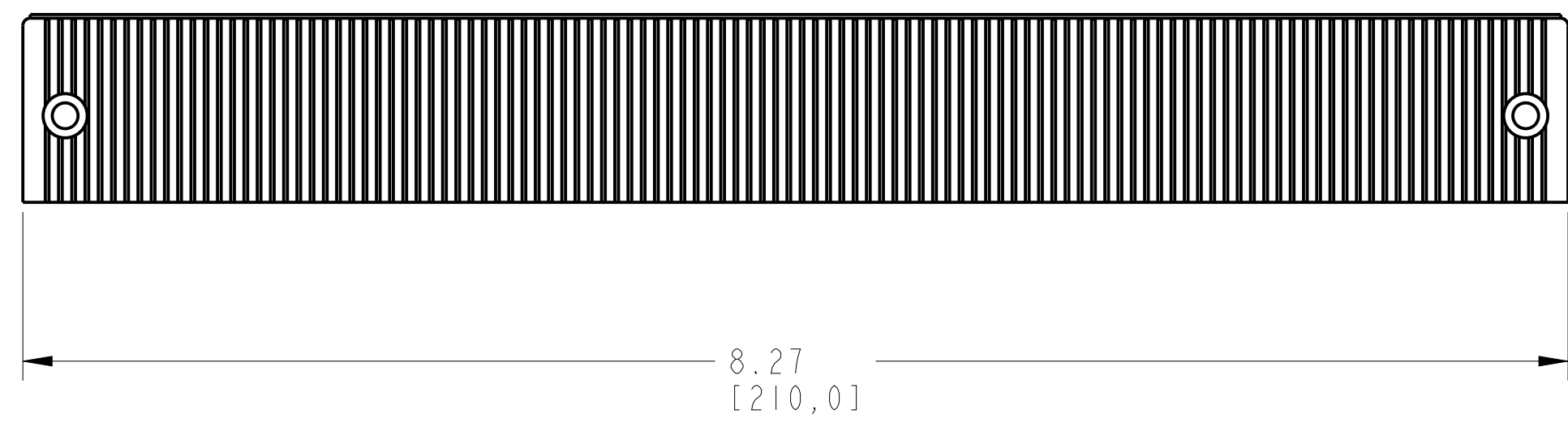
TERMINAL COVER LOW ASSEMBLY			
ITEM	DESCRIPTION	QTY	AB CAT NUMBER
1	MOLDED CASE CIRCUIT BREAKER	1	140G-N-3P CB
2	TERMINAL COVER LOW	2	140G-N-TC3L



TERMINAL COVER LOW ASSEMBLED TO 140G-N-3-POLE  
SCALE 0.65:1



ISOMETRIC VIEW



ITEM 2 : TERMINAL COVER LOW  
SCALE 1.2:1

		<small>CONFIDENTIAL AND PROPRIETARY INFORMATION THIS DOCUMENT CONTAINS CONFIDENTIAL AND PROPRIETARY INFORMATION OF ROCKWELL AUTOMATION, INC. AND MAY NOT BE USED, COPIED OR DISCLOSED TO OTHERS, EXCEPT WITH THE AUTHORIZED WRITTEN PERMISSION OF ROCKWELL AUTOMATION, INC.</small>	
		Sheet 2 Of 2	
TC-LOW ASSEMBLED TO 140-N-3P CB		Size <b>D</b>	Ver <b>00</b>
Drawn by: UMUNUSW	Date: OCT-28-2013	<b>10000849109</b>	