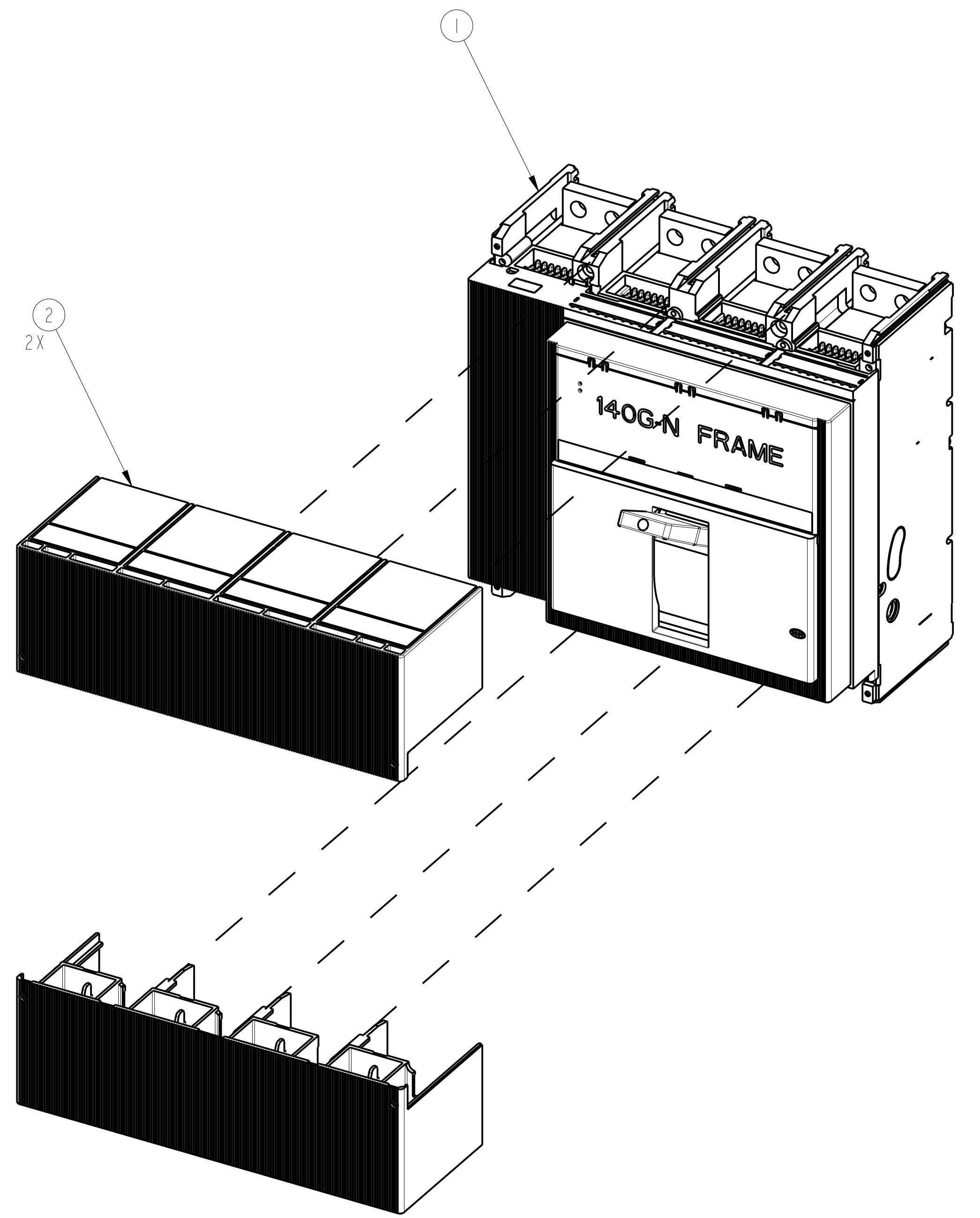
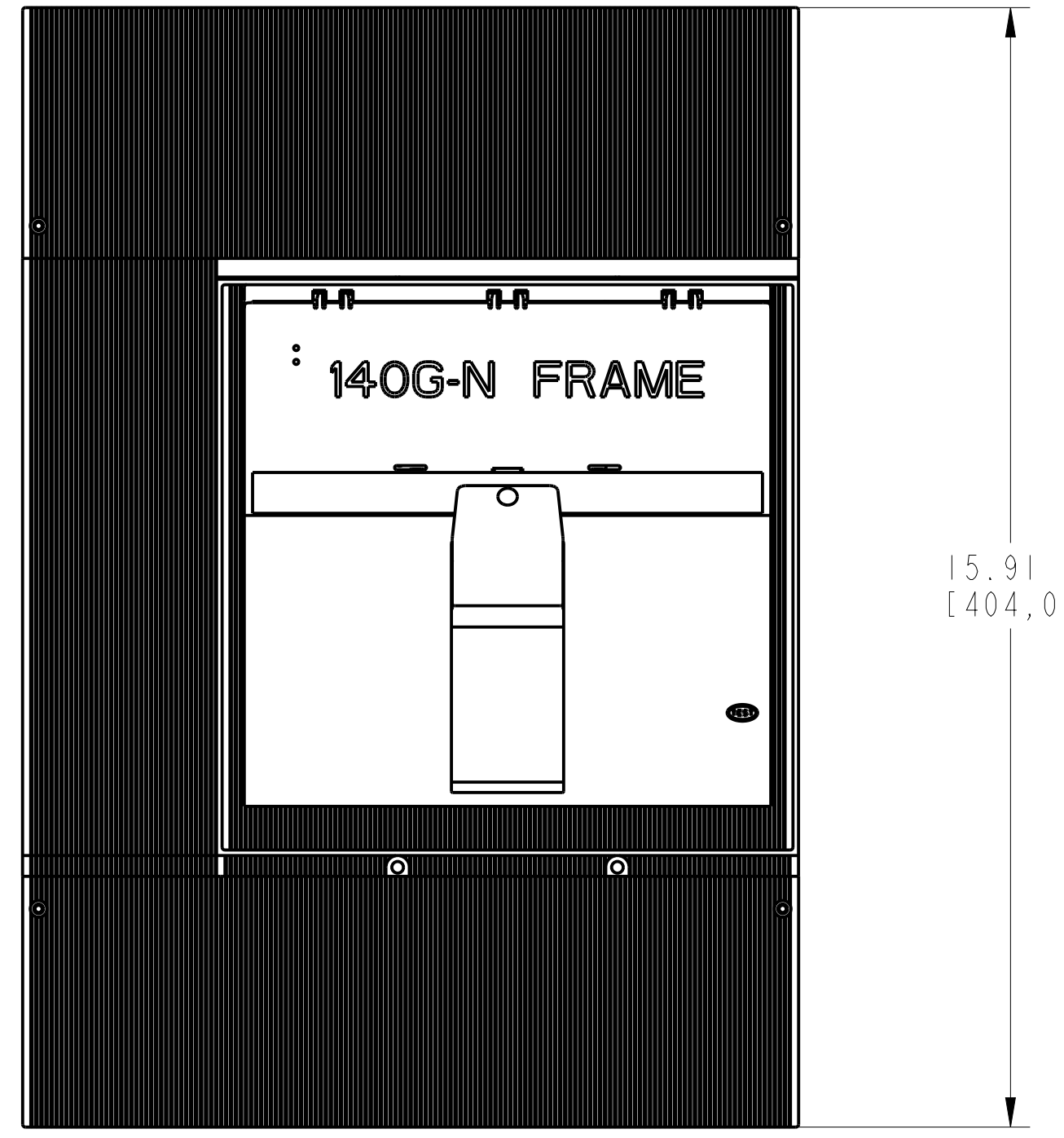
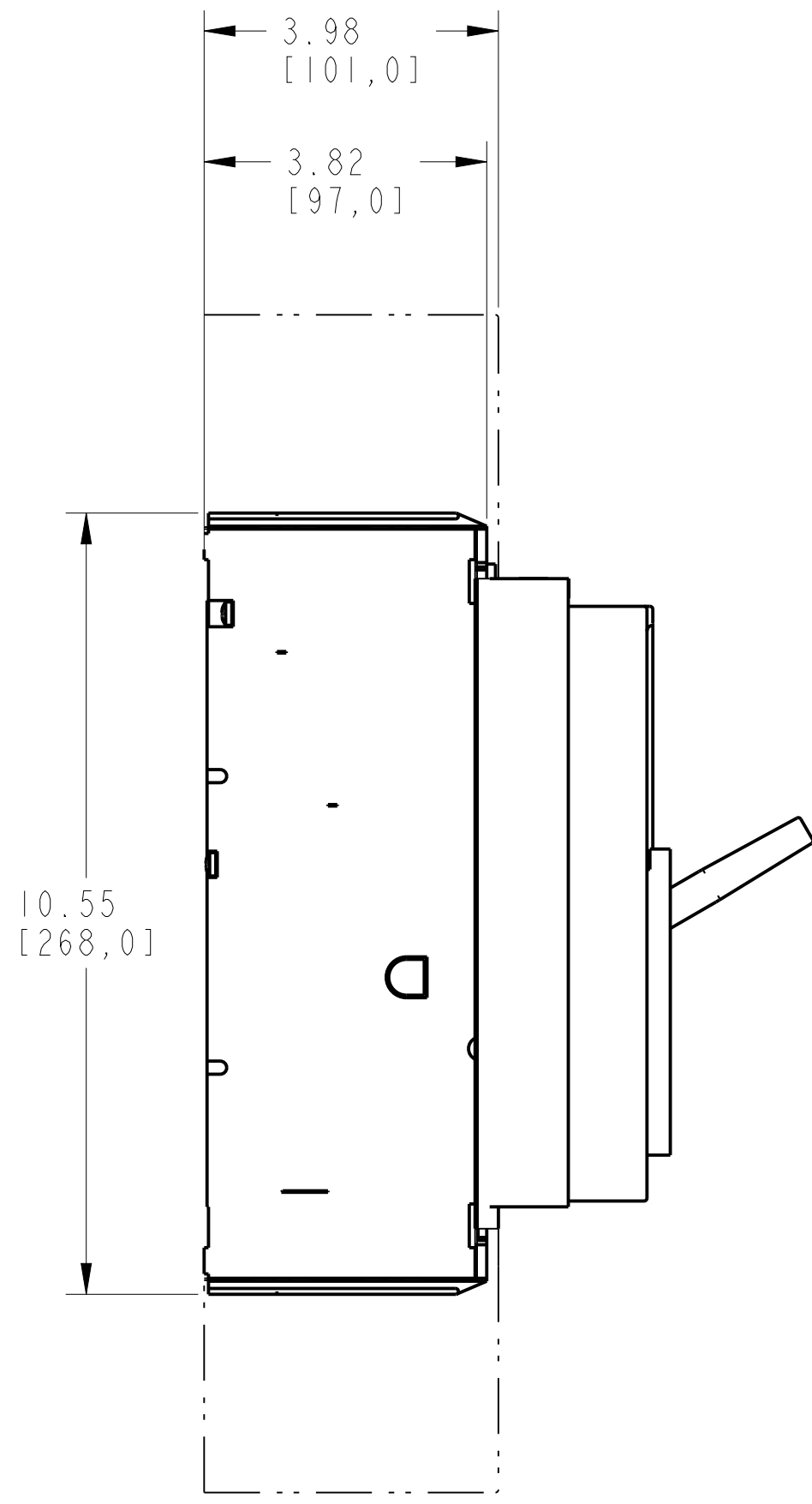
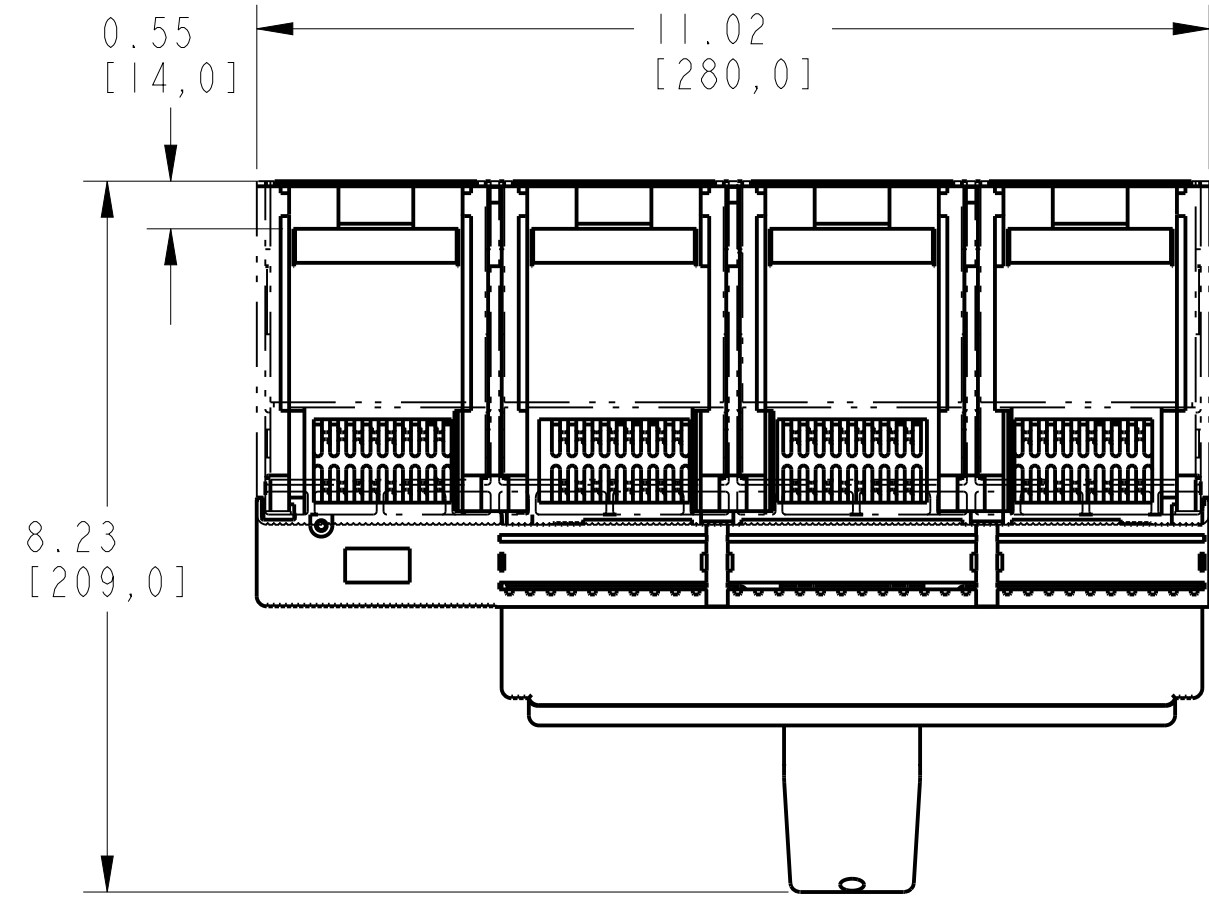


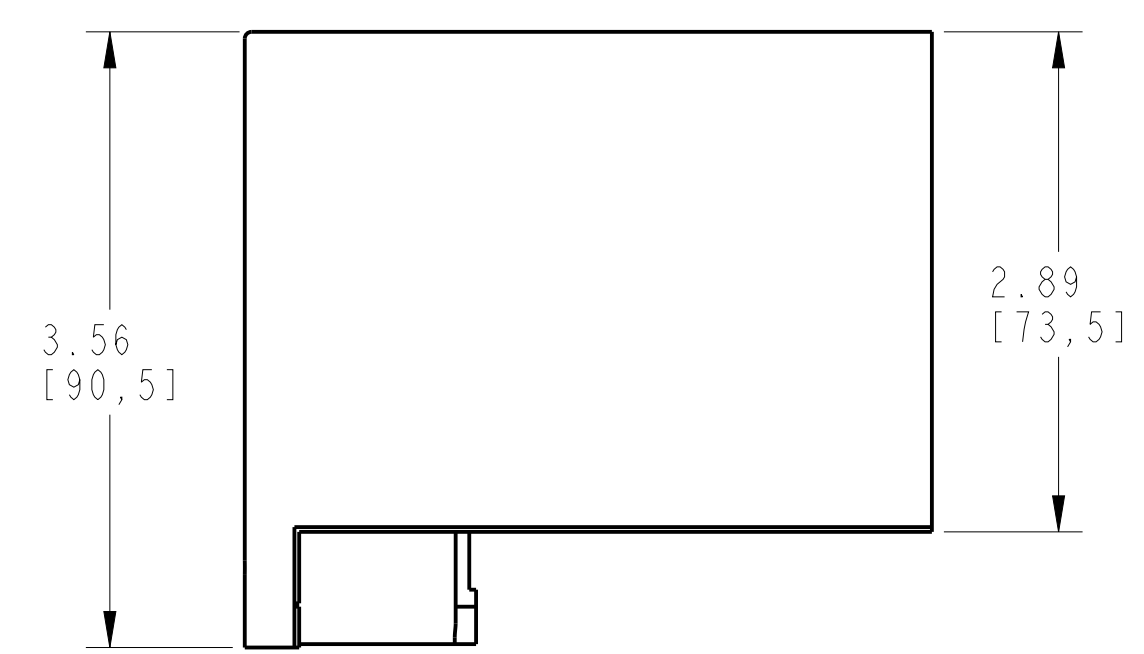
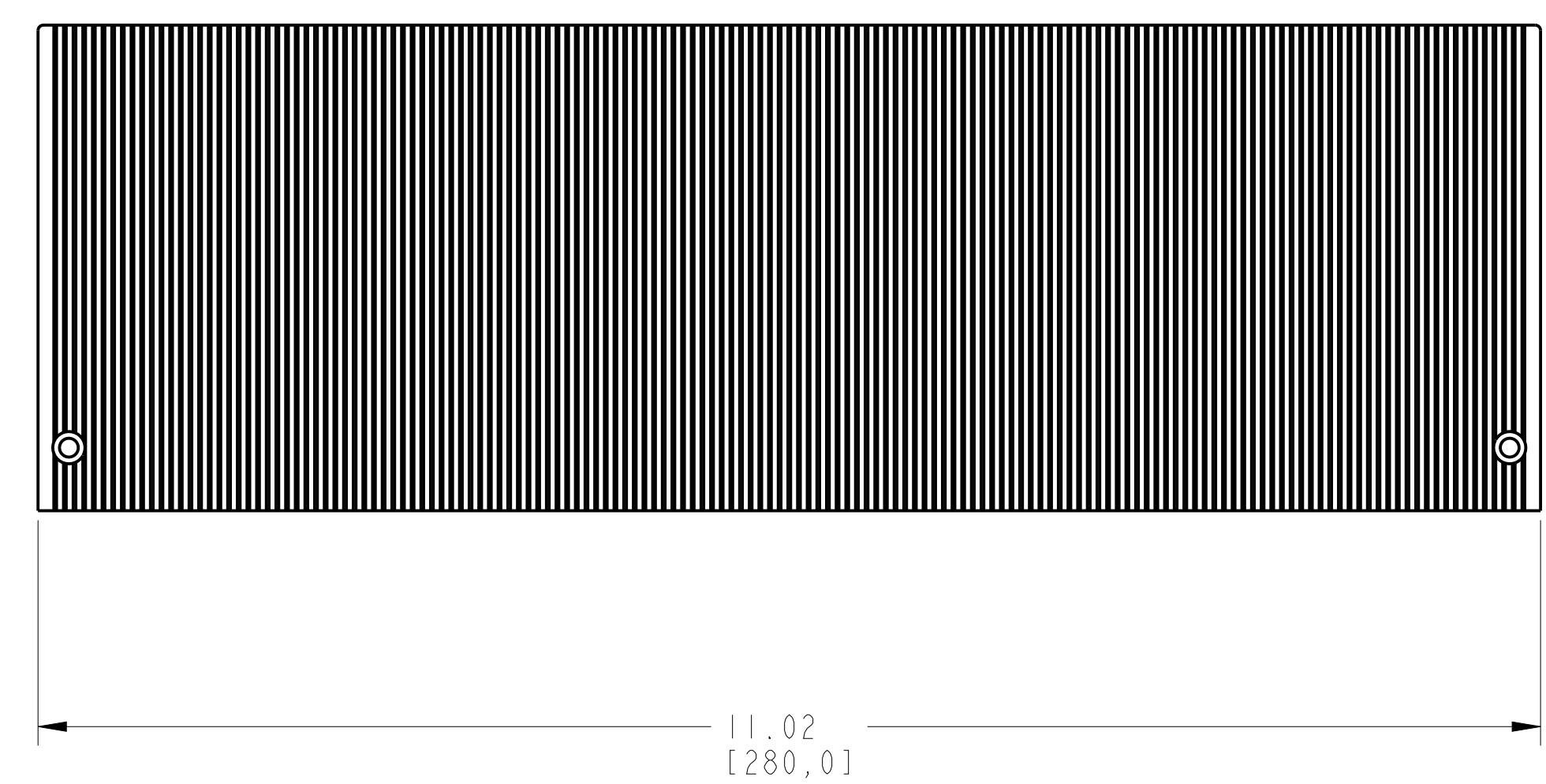
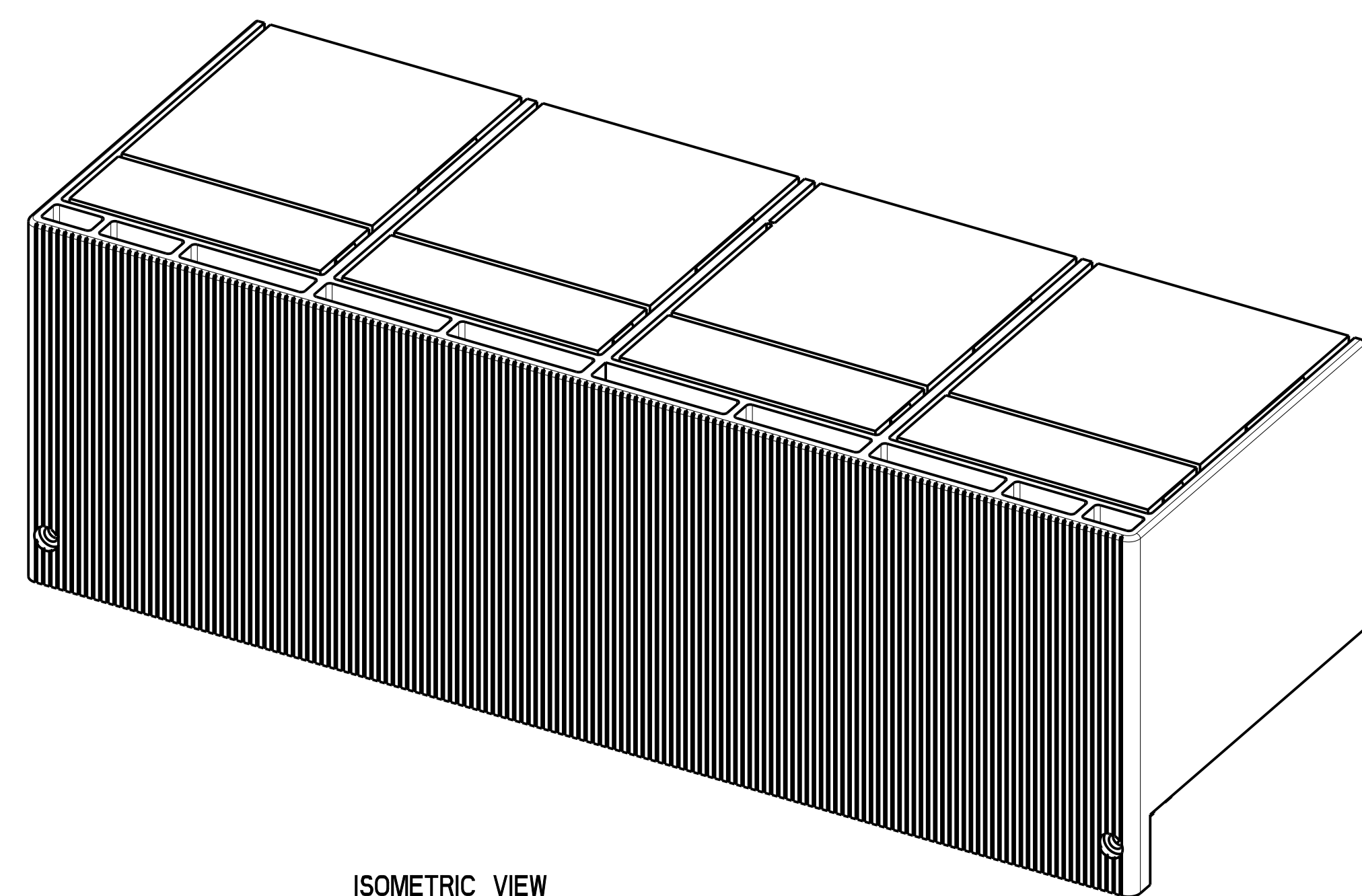
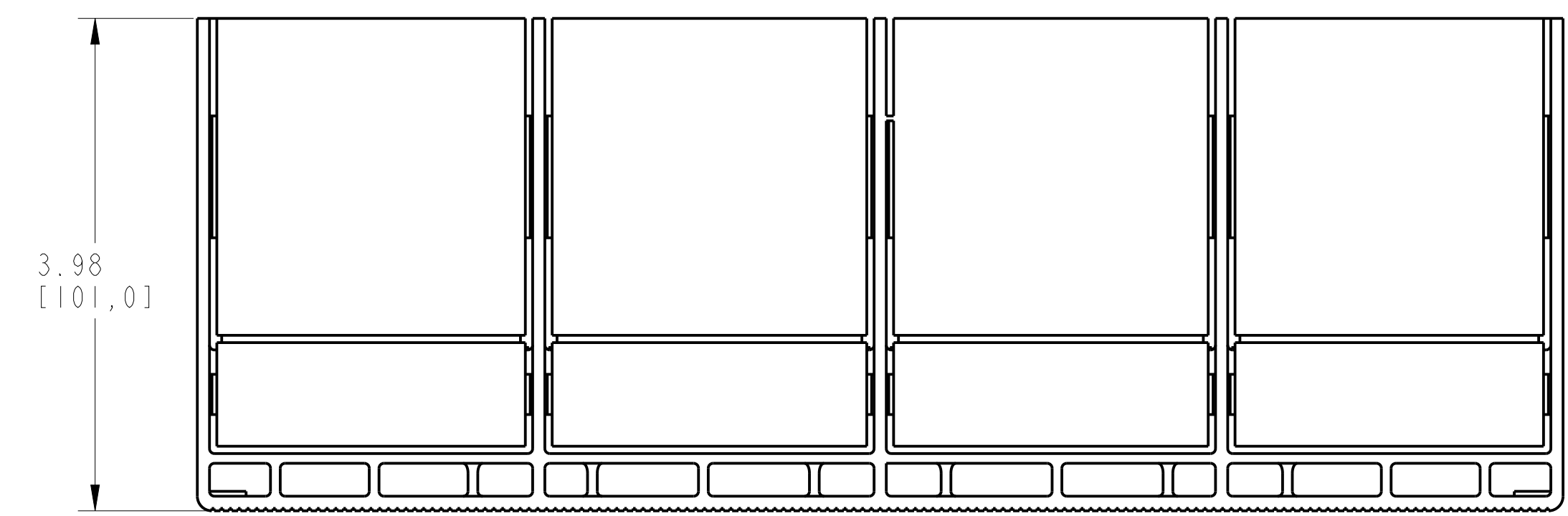
1 2 3 4 5 6 7 8

TERMINAL COVER HIGH ASSEMBLY

ITEM	DESCRIPTION	QTY	AB CAT NUMBER
1	MOLDED CASE CIRCUIT BREAKER	1	140G-N-4P CB
2	TERMINAL COVER HIGH	2	140G-N-TC4H



TERMINAL COVER HIGH ASSEMBLED TO 140G-N-4-POLE
SCALE 0.45:1



ITEM 2 : TERMINAL COVER HIGH
SCALE 0.9:1

		<small>CONFIDENTIAL AND PROPRIETARY INFORMATION. THIS DOCUMENT CONTAINS CONFIDENTIAL AND PROPRIETARY INFORMATION OF ROCKWELL AUTOMATION, INC. AND MAY NOT BE USED, COPIED OR DISCLOSED TO OTHERS, EXCEPT WITH THE AUTHORIZED WRITTEN PERMISSION OF ROCKWELL AUTOMATION, INC.</small>	
		Sheet 2 Of 2	
TC-HIGH ASSEMBLED TO 140G-N-4 POLE CB		Size D	Ver 00
Drawn by: UMUNUSW	Date: OCT-17-2013	1000850780	