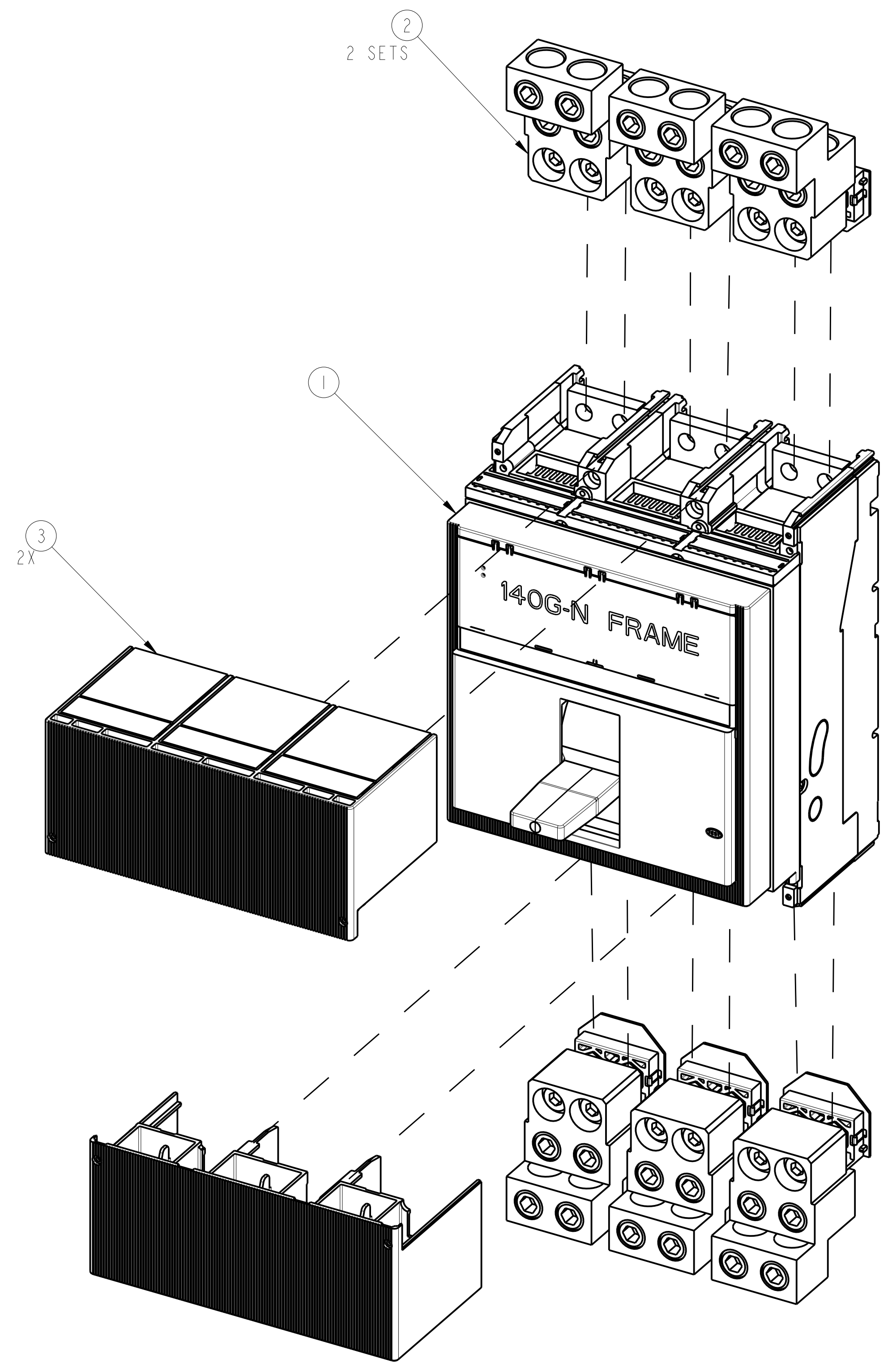
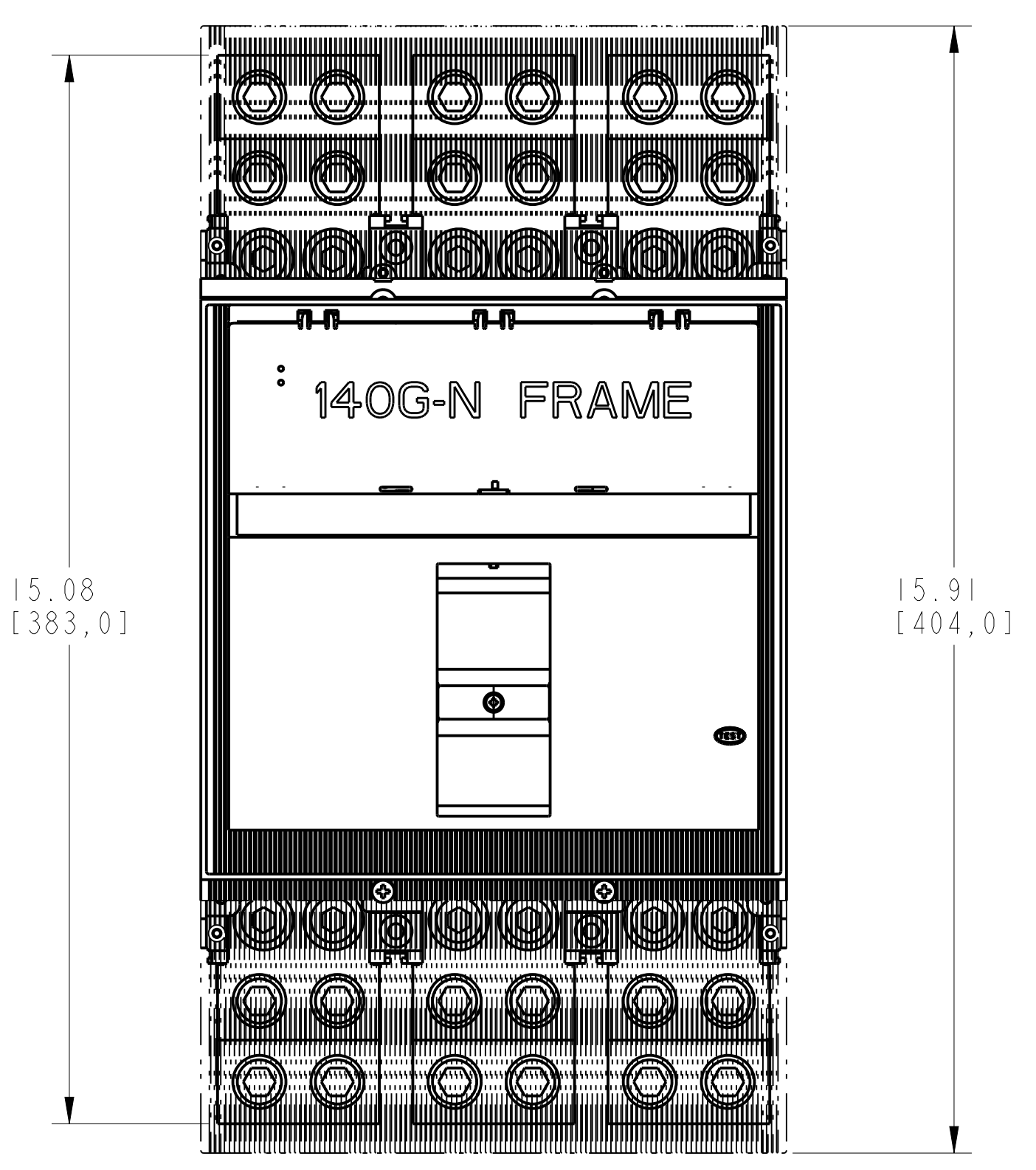
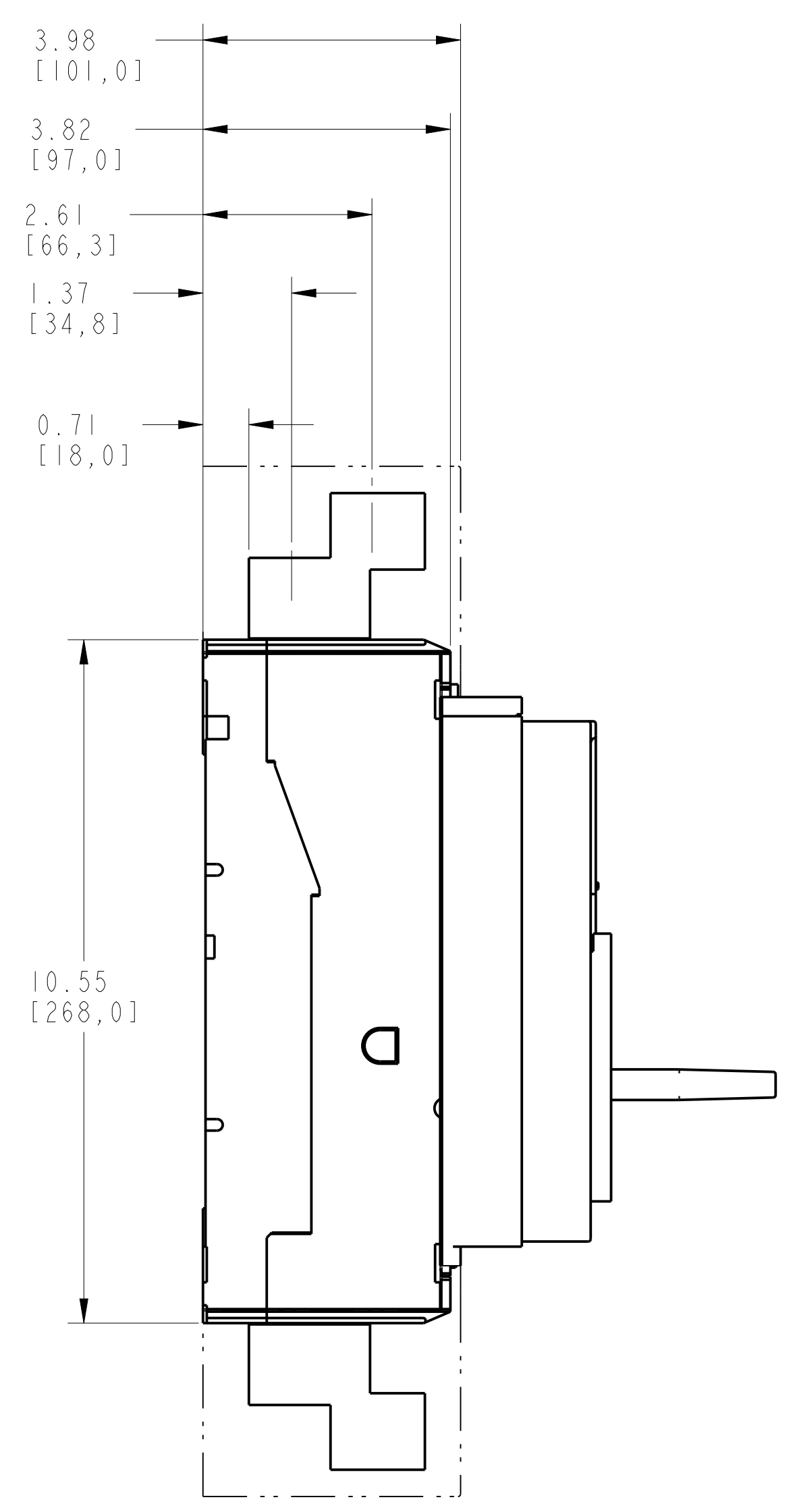
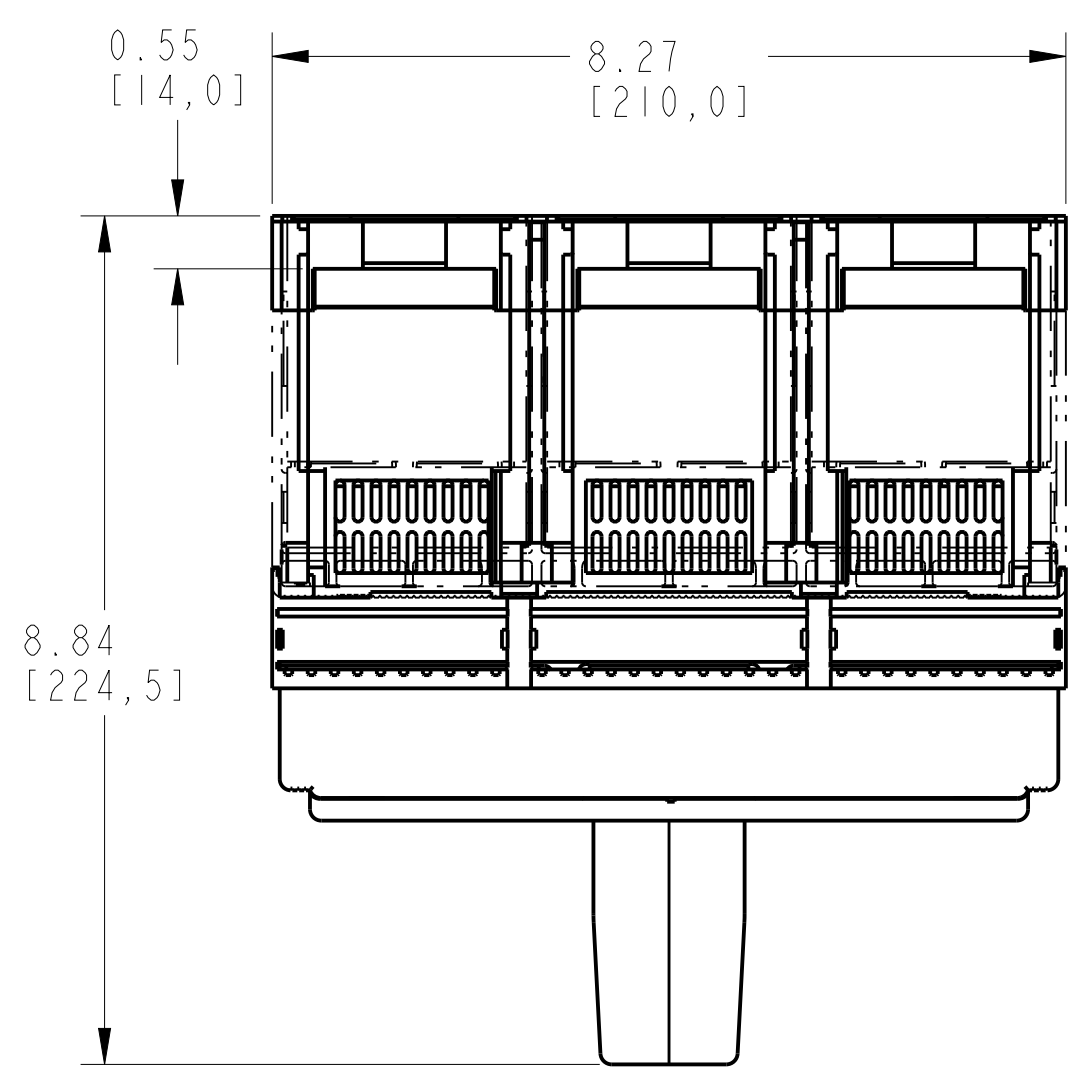


TERMINAL FOR FCCU ASSEMBLY

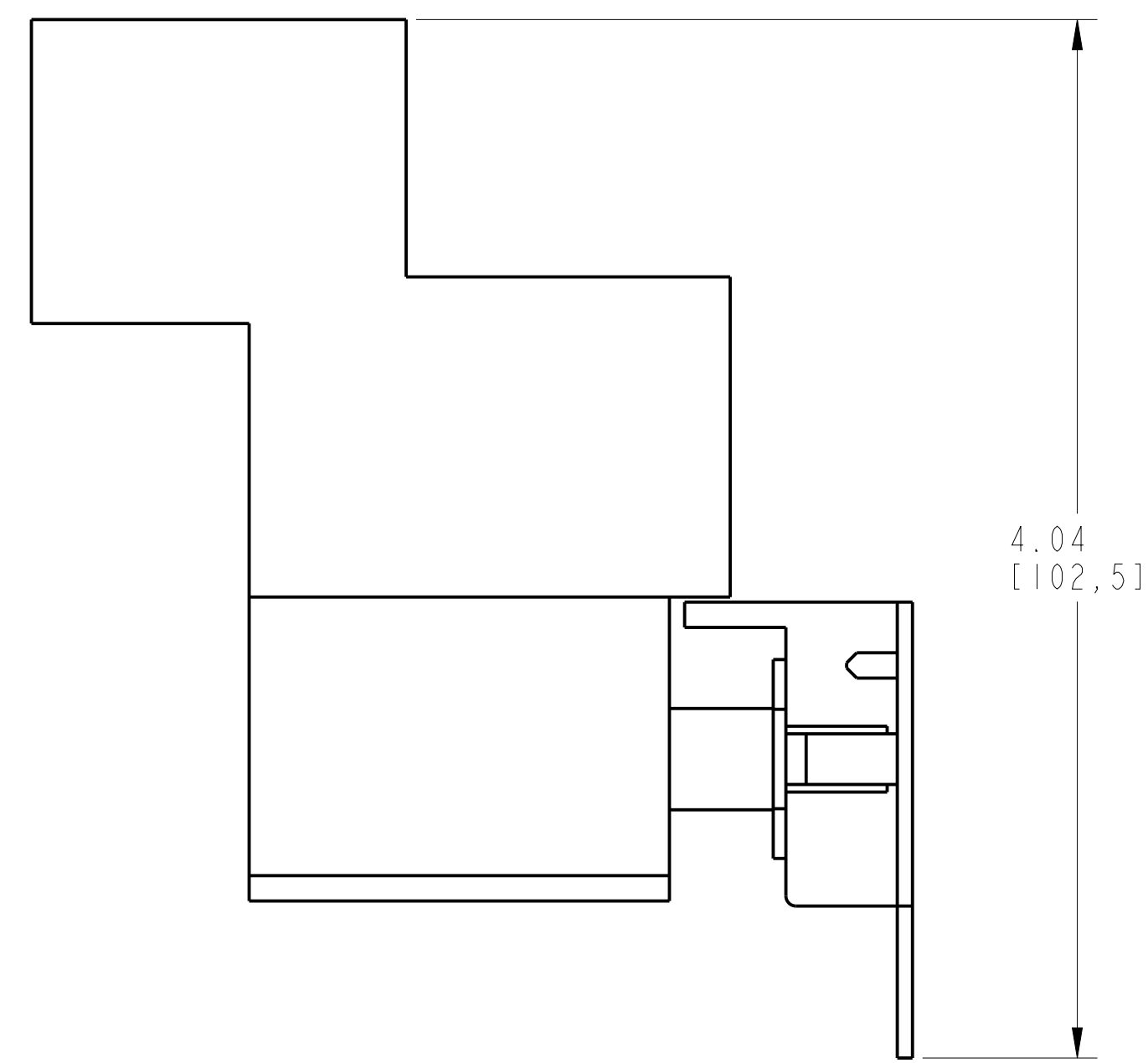
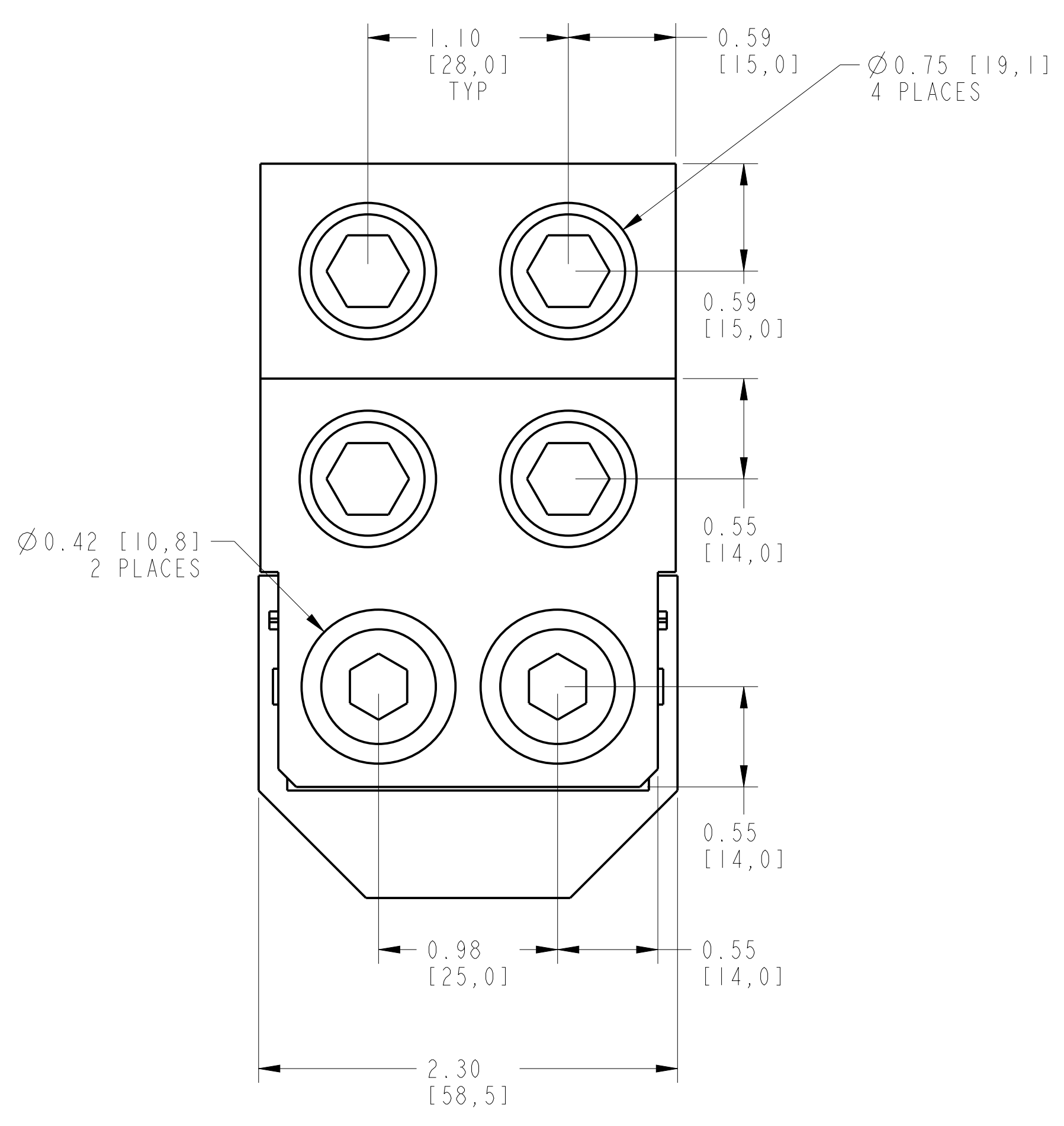
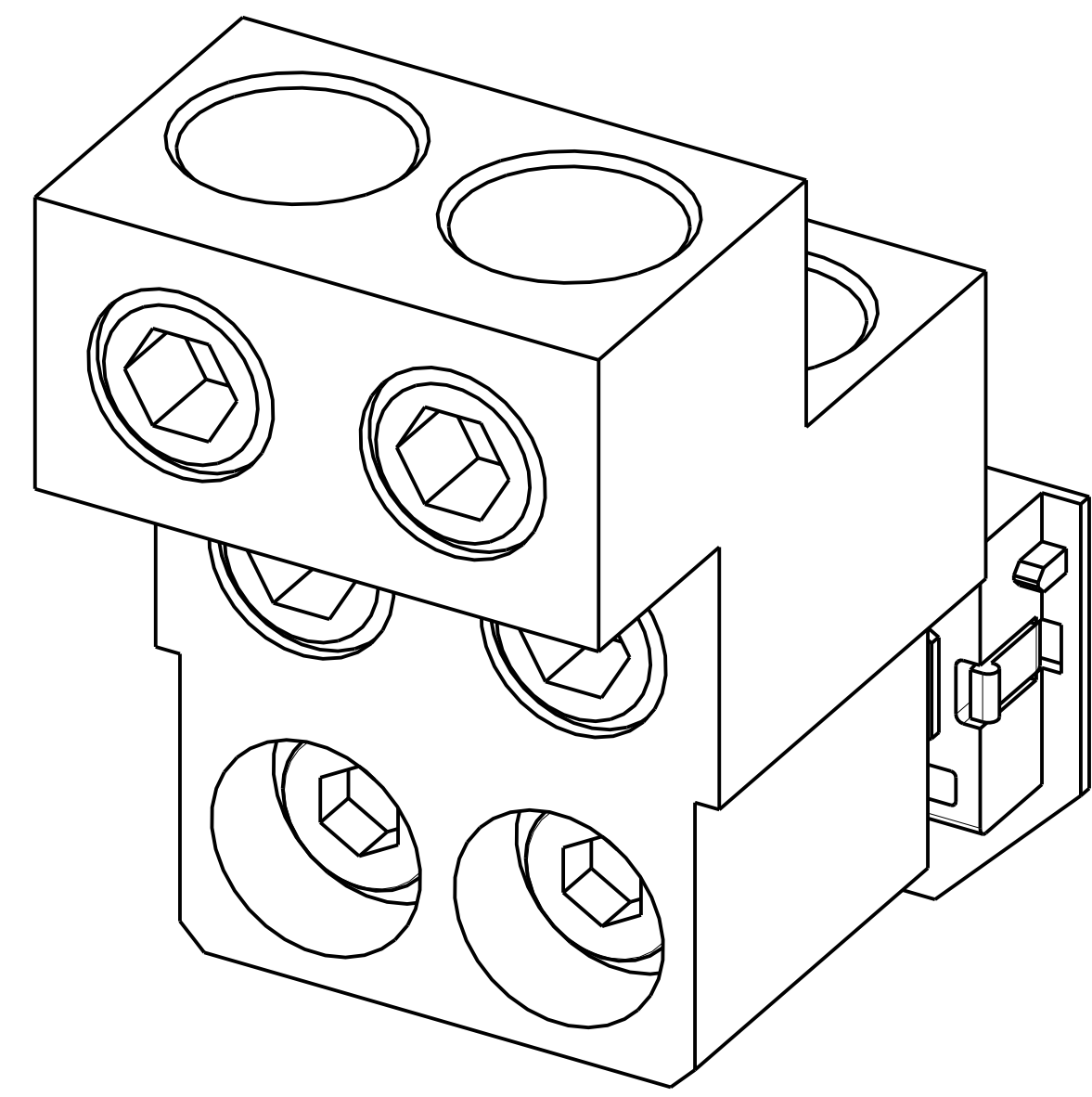
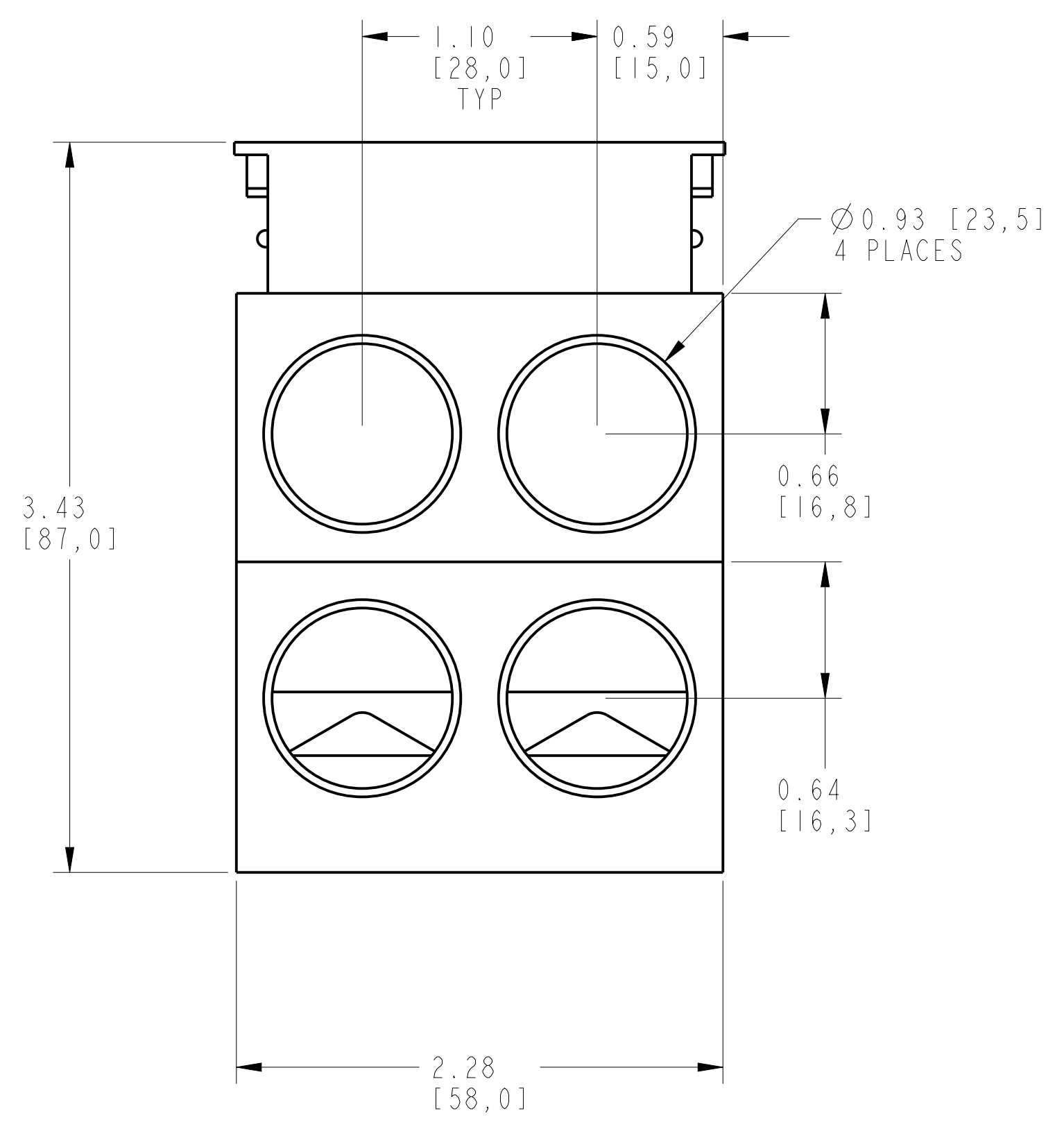
ITEM	DESCRIPTION	QTY	AB CAT NUMBER
1	MOLDED CASE CIRCUIT BREAKER	1	140G-N-3P CB
2	FCCU TERMINAL (3 PCS)	2 SETS	140G-N-TLC43
3	TERMINAL COVER HIGH	2	140G-N-TC3H



TERMINAL FOR FCCU ASSEMBLED TO 140G-N-3-POLE  
SCALE 0.5:1

1 2 3 4 5 6 7 8

A  
B  
C  
D  
E  
F  
G  
H



ITEM 2 : TERMINAL FOR FCCU  
SCALE 1.6 : 1

		<small>CONFIDENTIAL AND PROPRIETARY INFORMATION THIS DOCUMENT CONTAINS CONFIDENTIAL AND PROPRIETARY INFORMATION OF ROCKWELL AUTOMATION, INC. AND MAY NOT BE USED, COPIED OR DISCLOSED TO OTHERS, EXCEPT WITH THE AUTHORIZED WRITTEN PERMISSION OF ROCKWELL AUTOMATION, INC.</small>	
		Sheet 2 Of 2	
FCCU ASSEMBLED TO 140G-N-3P CB		Size <b>D</b>	Ver <b>00</b>
Drawn by: UMUNUSW	Date: OCT-16-2013	10000849057	