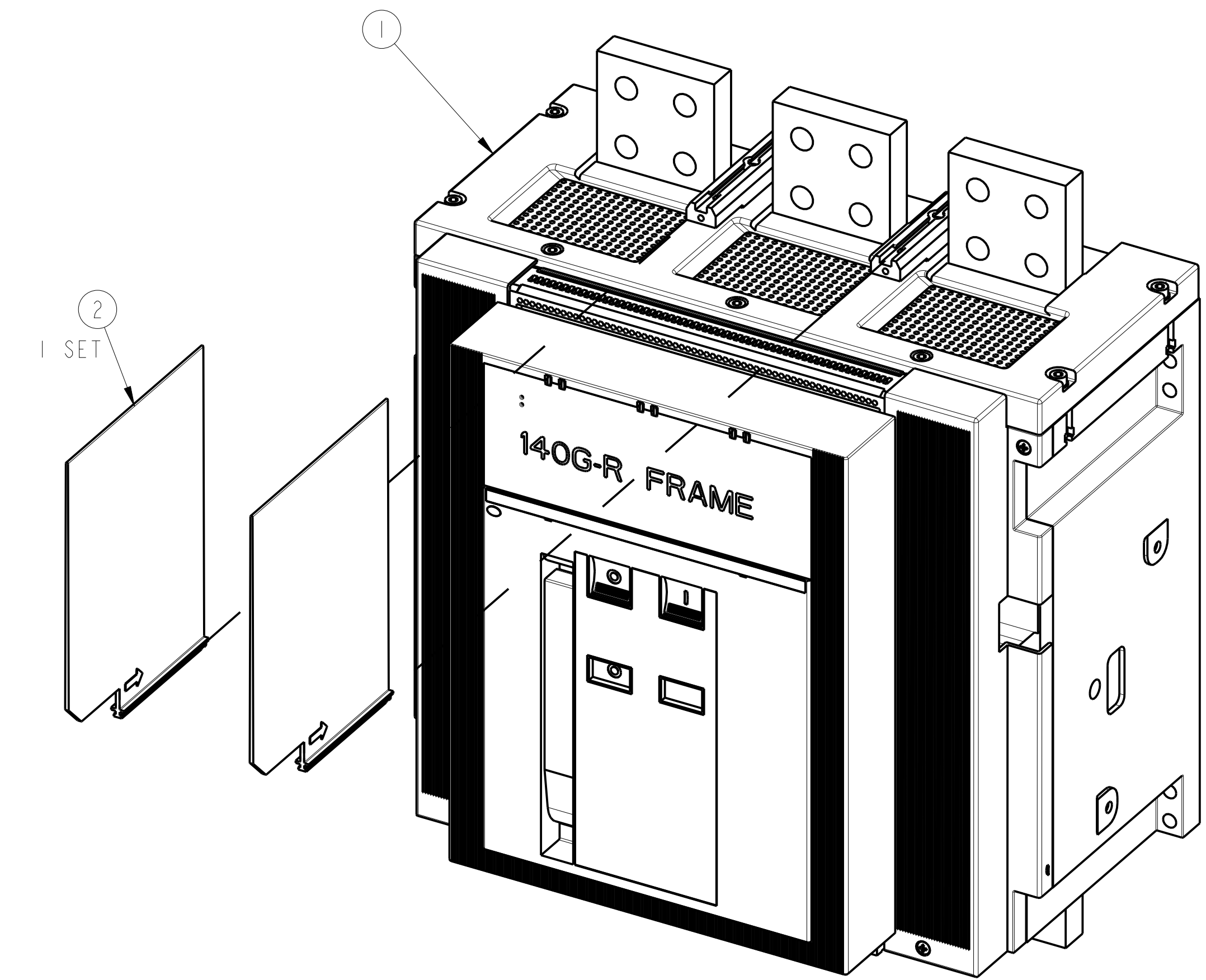
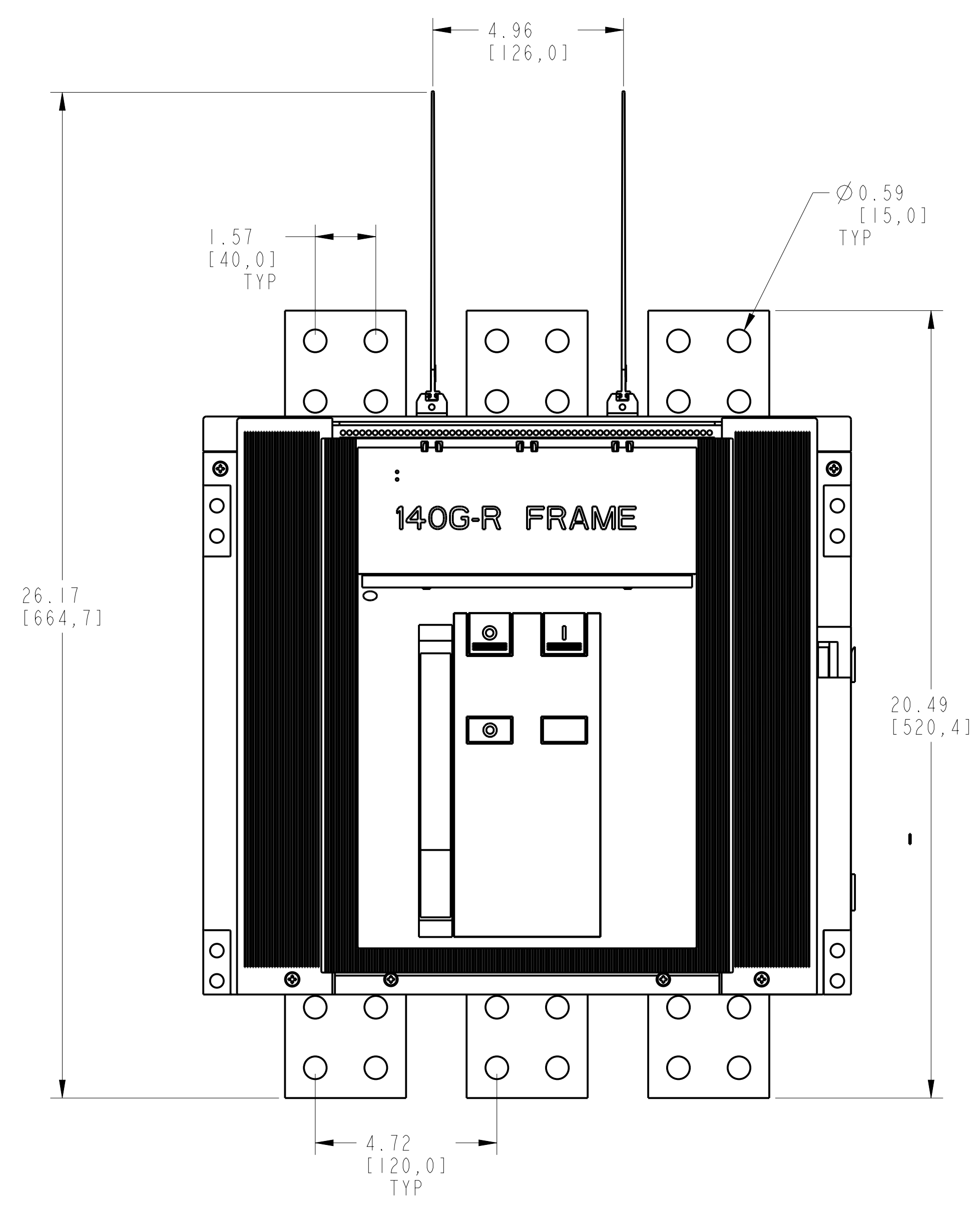
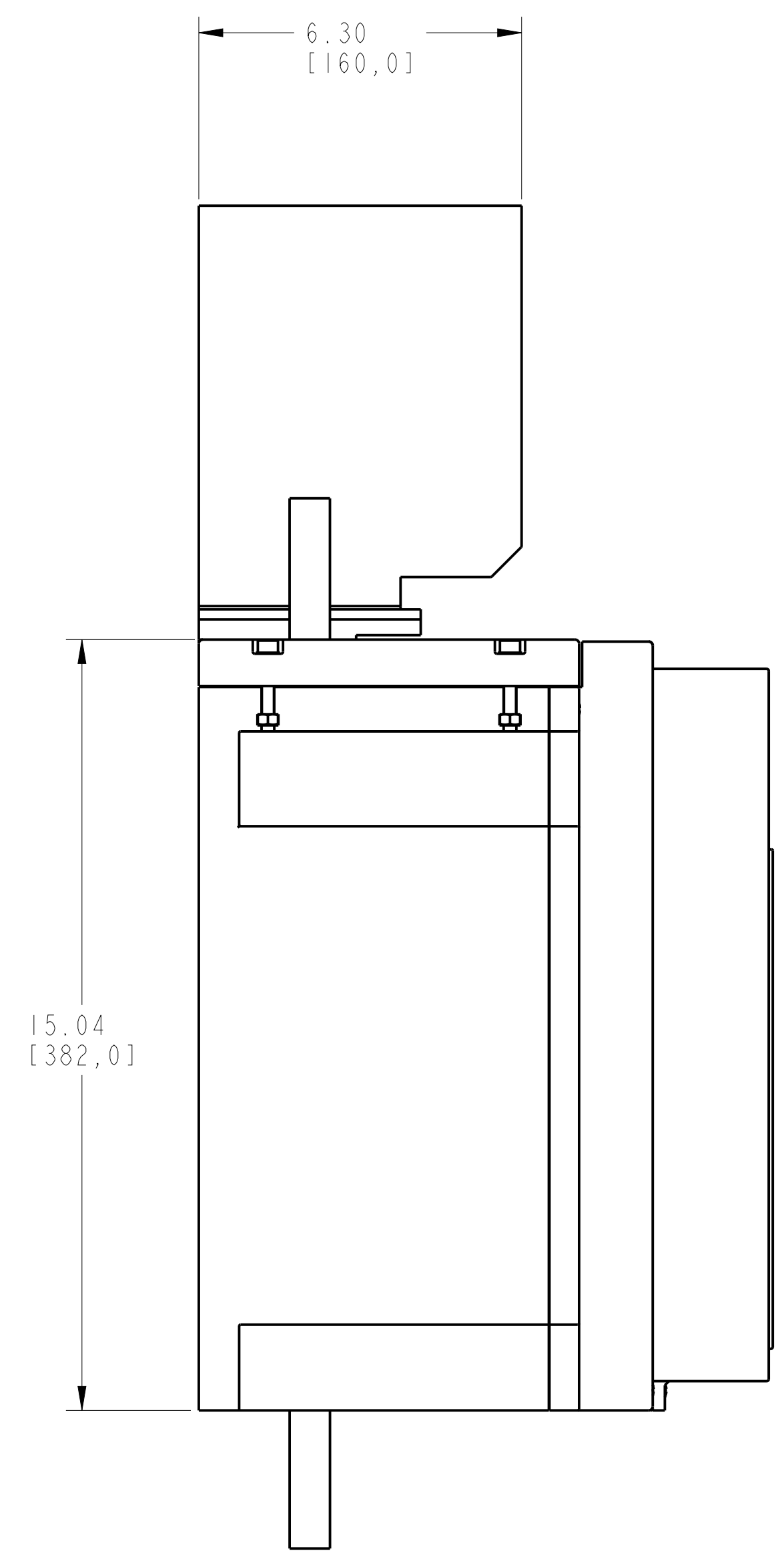
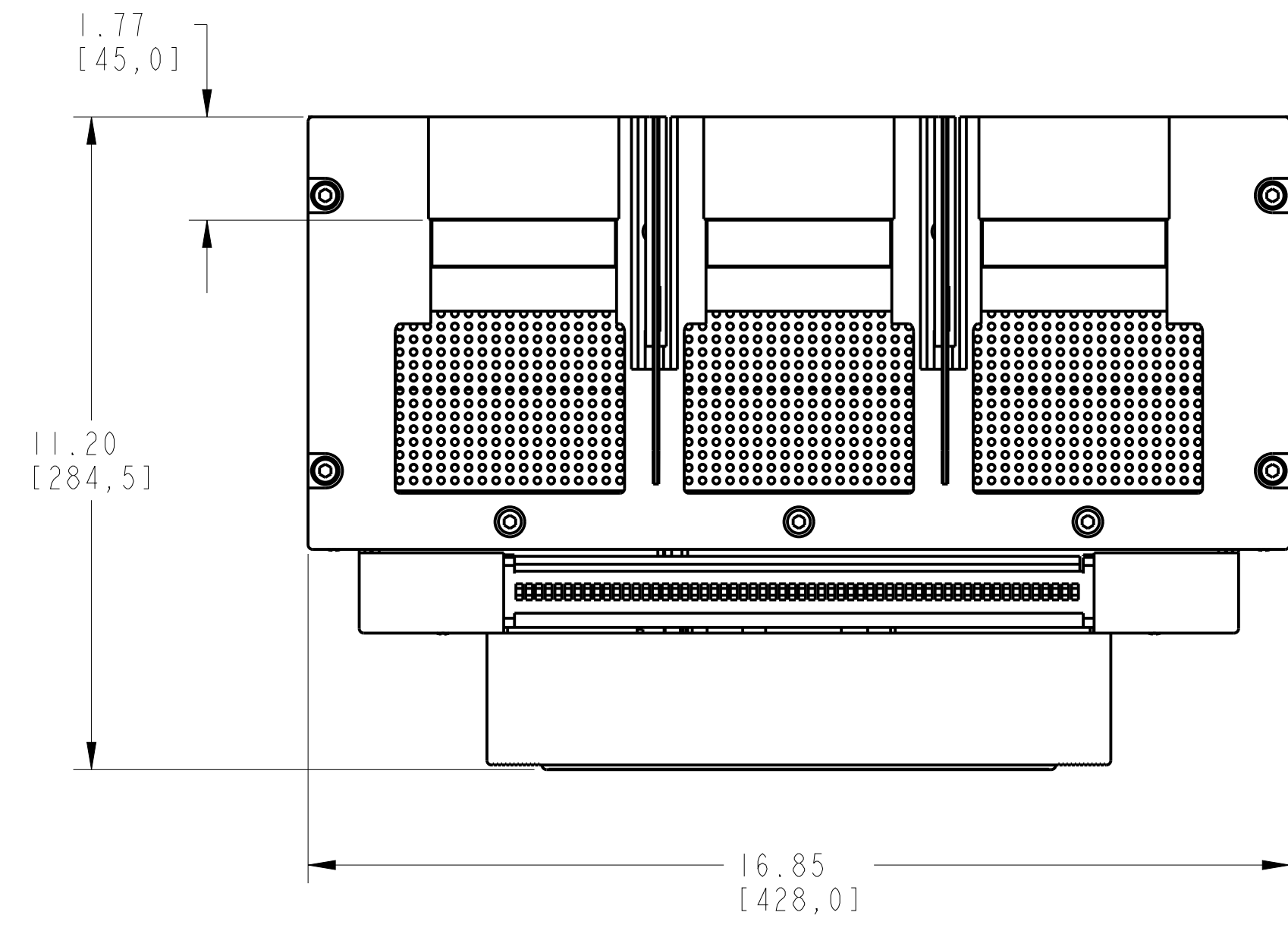


PHASE BARRIER HIGH ASSEMBLY

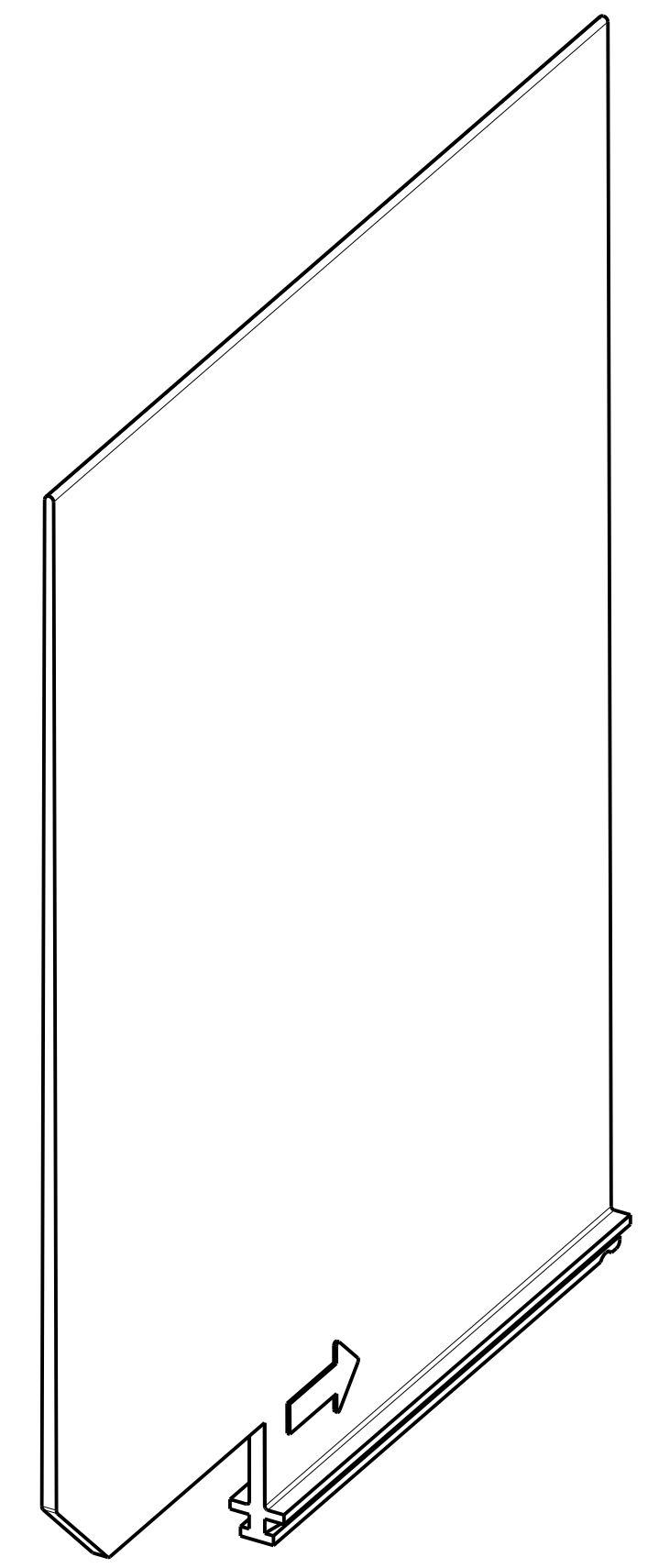
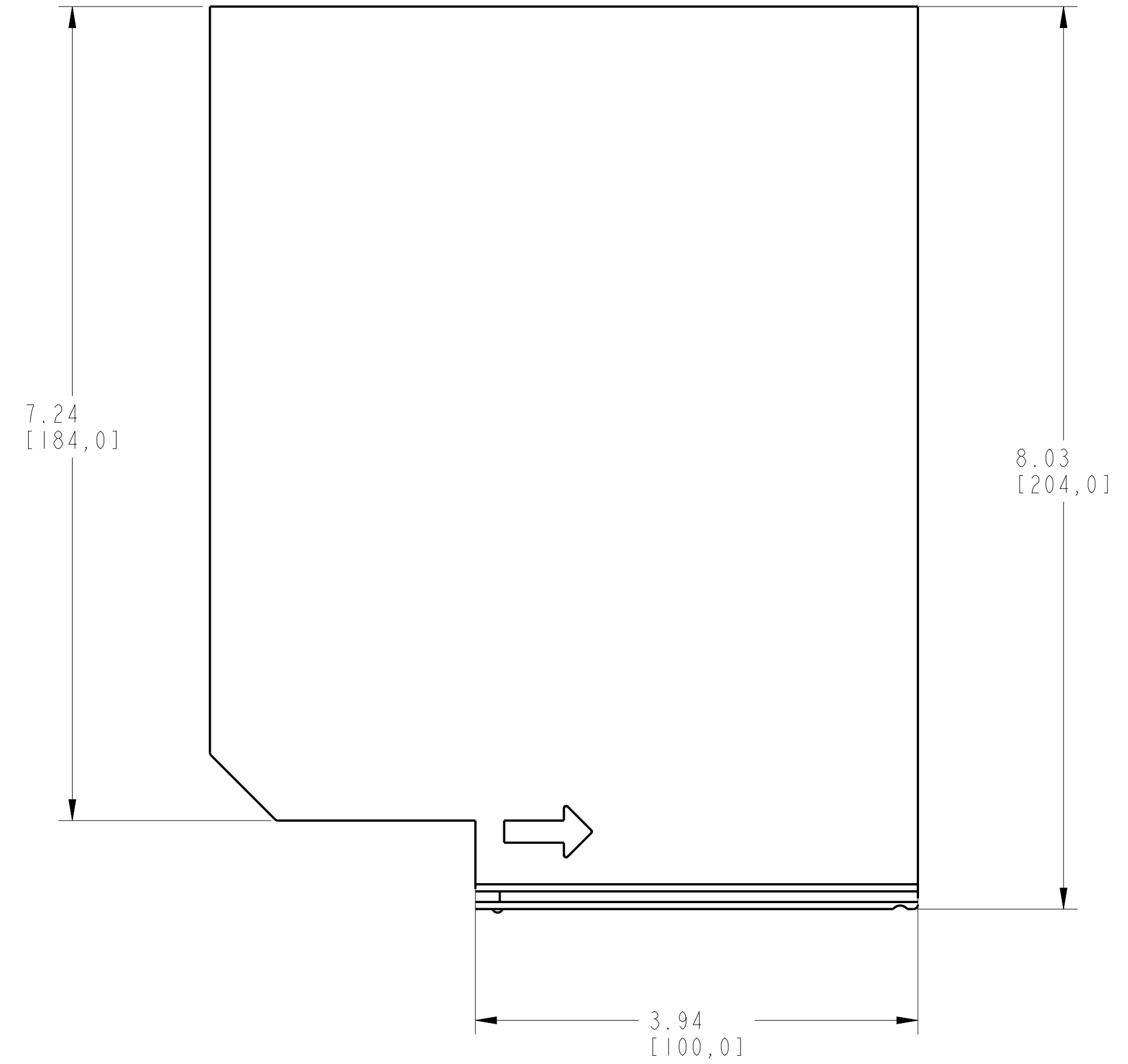
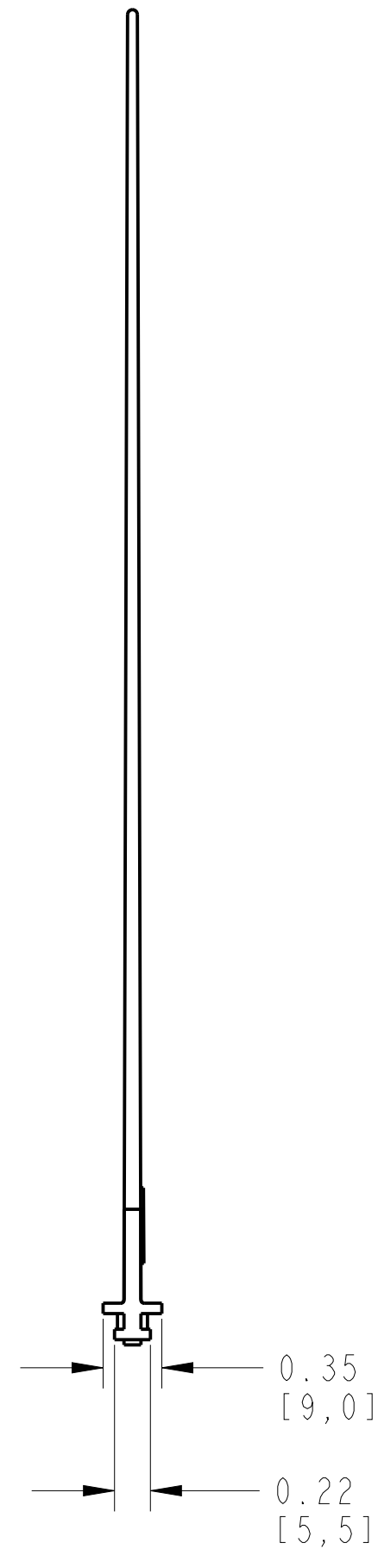
ITEM	DESCRIPTION	QTY	AB CAT NUMBER
1	MOLDED CASE CIRCUIT BREAKER	1	140G-R-3P CB
2	PHASE BARRIER HIGH (2 PCS)	1 SET	140G-R-PB3H



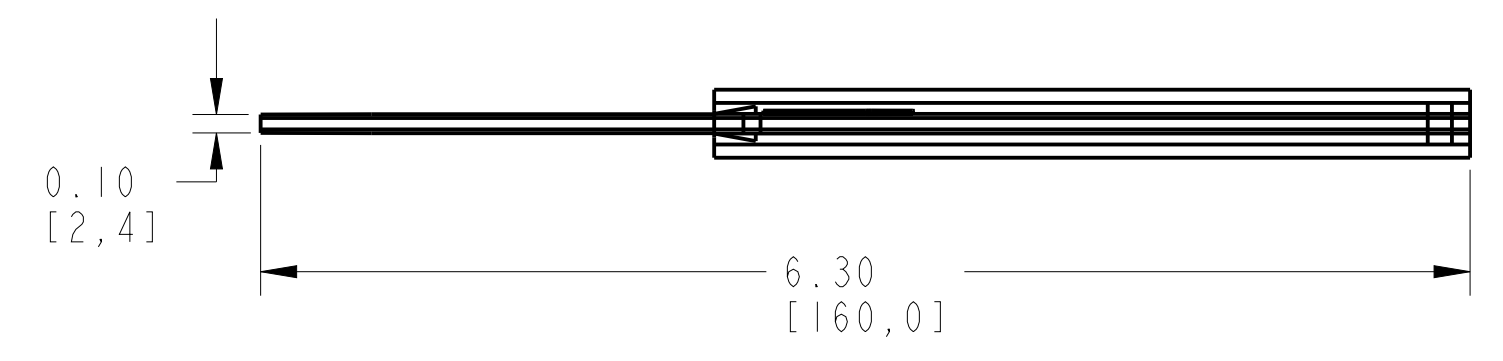
PHASE BARRIER HIGH ASSEMBLED TO 140G-R-3-POLE
SCALE 0.4 : 1

1 2 3 4 5 6 7 8

A
B
C
D
E
F
G
H



ISOMETRIC VIEW



ITEM 2 : PHASE BARRIER HIGH
SCALE 0.4 : 1

		<small>CONFIDENTIAL AND PROPRIETARY INFORMATION THIS DOCUMENT CONTAINS CONFIDENTIAL AND PROPRIETARY INFORMATION OF ROCKWELL AUTOMATION, INC. AND MAY NOT BE USED, COPIED OR DISCLOSED TO OTHERS, EXCEPT WITH THE AUTHORIZED WRITTEN PERMISSION OF ROCKWELL AUTOMATION, INC.</small>	
		Sheet 2 Of 2	
PB HIGH ASSEMBLED TO 140G-R-3P CB		Size D	Ver 00
Drawn by: UMUNUSW	Date: 11-15-13	1000886388	