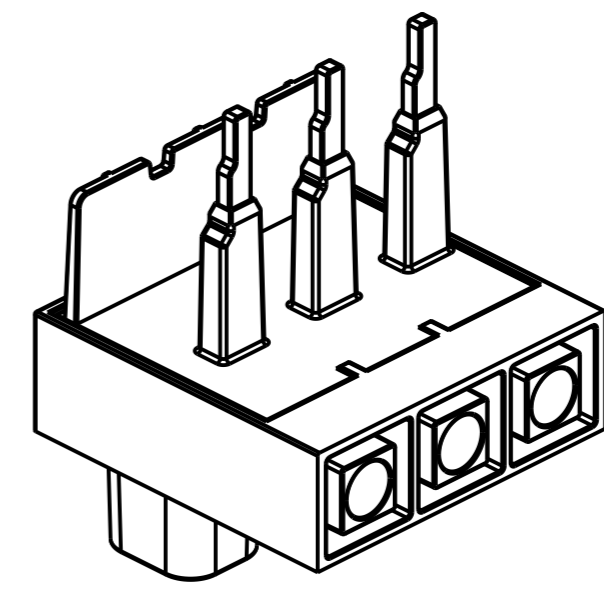
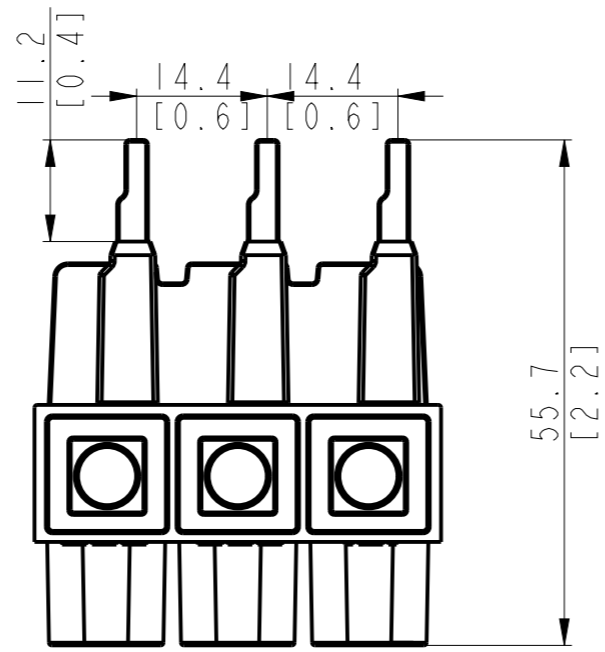
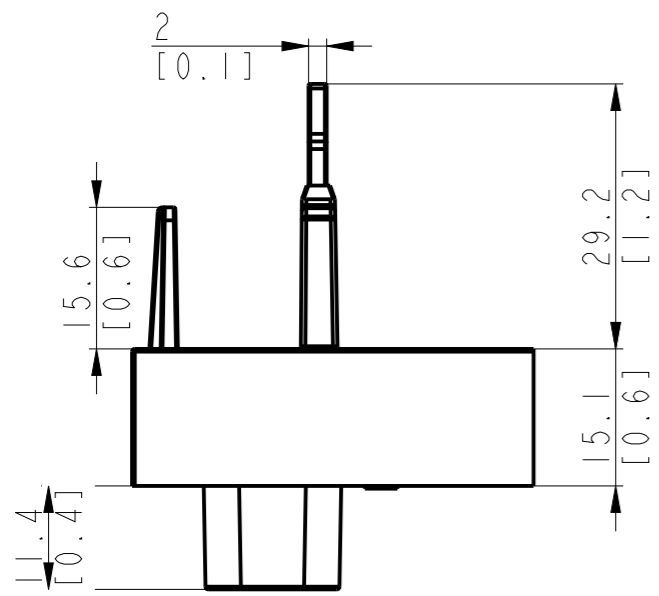
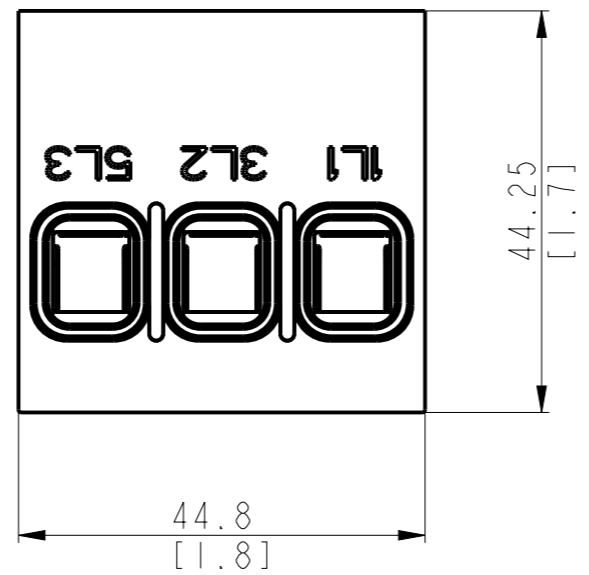


CRITICAL TO QUALITY CLASSIFICATION TABLE				
P=PERFORMANCE, F=FIT, A=ASSEMBLY				
X=IDENTIFIES APPLICABLE CLASSIFICATION(S)				
◇=ENGINEERING AND/OR MANUFACTURING REQUIREMENT				
Ⓢ=REGULATORY REQUIREMENT-CONFORMANCE IS MANDATORY				
COMMENTS	DRAWING ZONE	◇ P	◇ F	◇ A
ROHS	GI-HI			X



3D VIEW



-Dimensions are shown in mm [inches]
 -Dimensions are not intended to be used for manufacturing purposes

MUST COMPLY WITH ROCKWELL AUTOMATION ENVIRONMENTAL SPECIFICATION 970-20-01

WORKMANSHIP STANDARDS	FINISH	MATERIAL	10005909967	PN-514179
ALL UNDIMENSIONED GEOMETRIES ARE CONTROLLED BY THE CAD MODEL. IN CASE OF DIMENSION DISCREPANCY, CAD MODEL OVERRIDES.			CONFIDENTIAL AND PROPRIETARY INFORMATION. THIS DOCUMENT CONTAINS CONFIDENTIAL AND PROPRIETARY INFORMATION OF ROCKWELL AUTOMATION, INC. AND MAY NOT BE USED, COPIED OR DISCLOSED TO OTHERS, EXCEPT WITH THE AUTHORIZED WRITTEN PERMISSION OF ROCKWELL AUTOMATION, INC.	
FIRST ANGLE PROJECTION	DESCRIPTION	140MT-C-WTEN	DATE: 2021-05-10	SHEET 1 OF 1
	CREATED BY: NKUMAR23	CHANGED BY: -PKLANDE	SIZE A3	DIR 10005909969
				VER 00