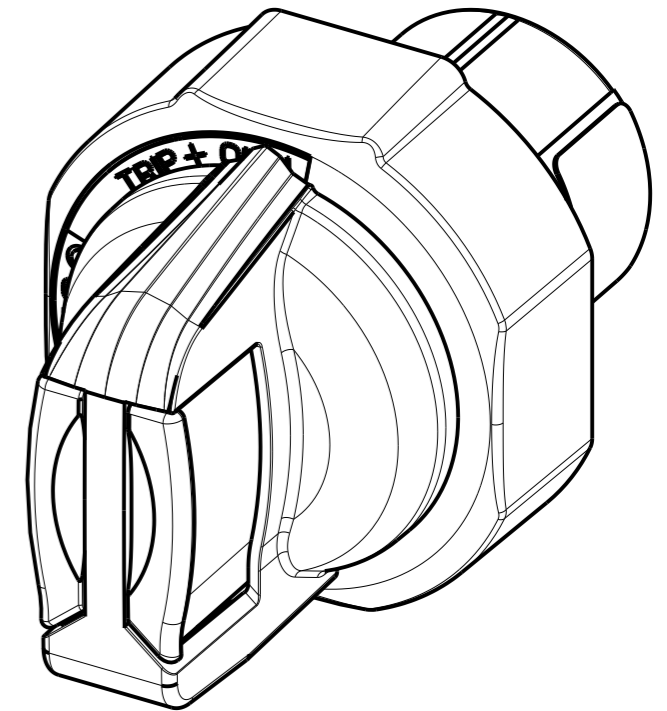
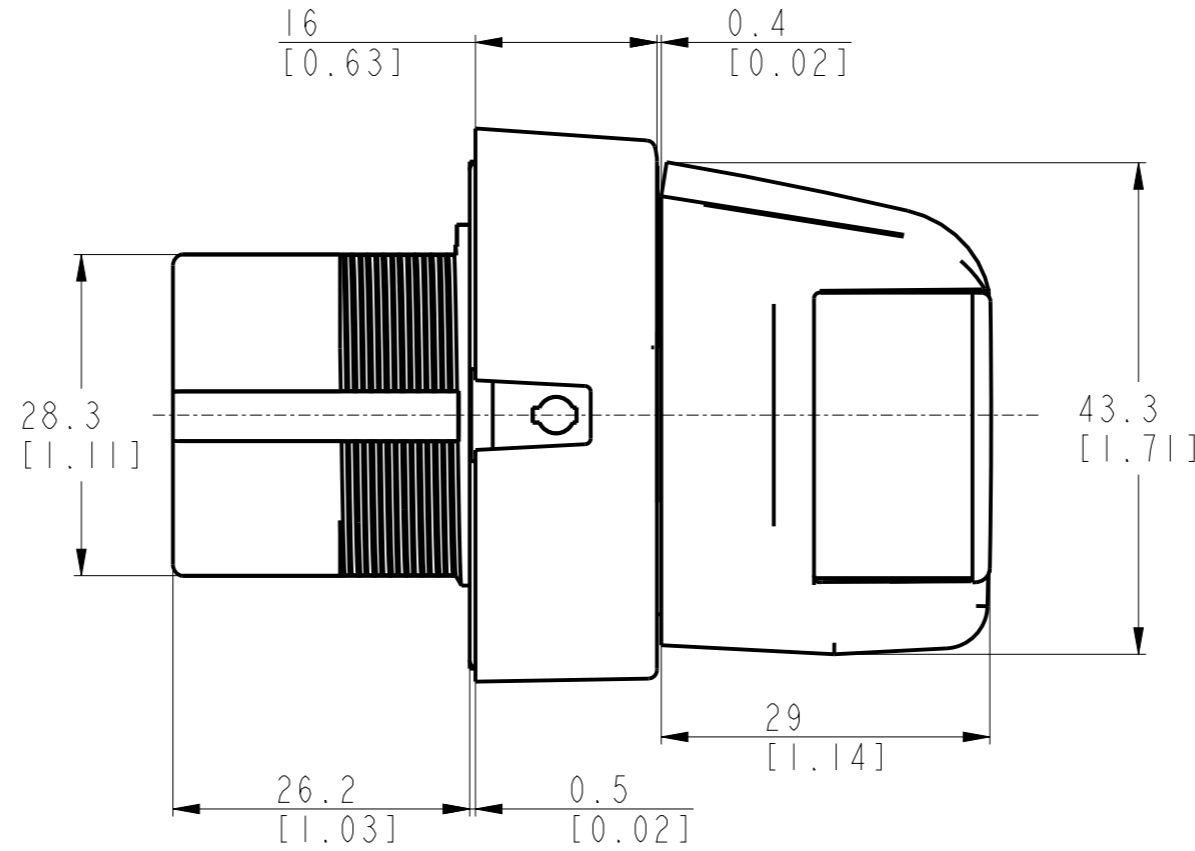
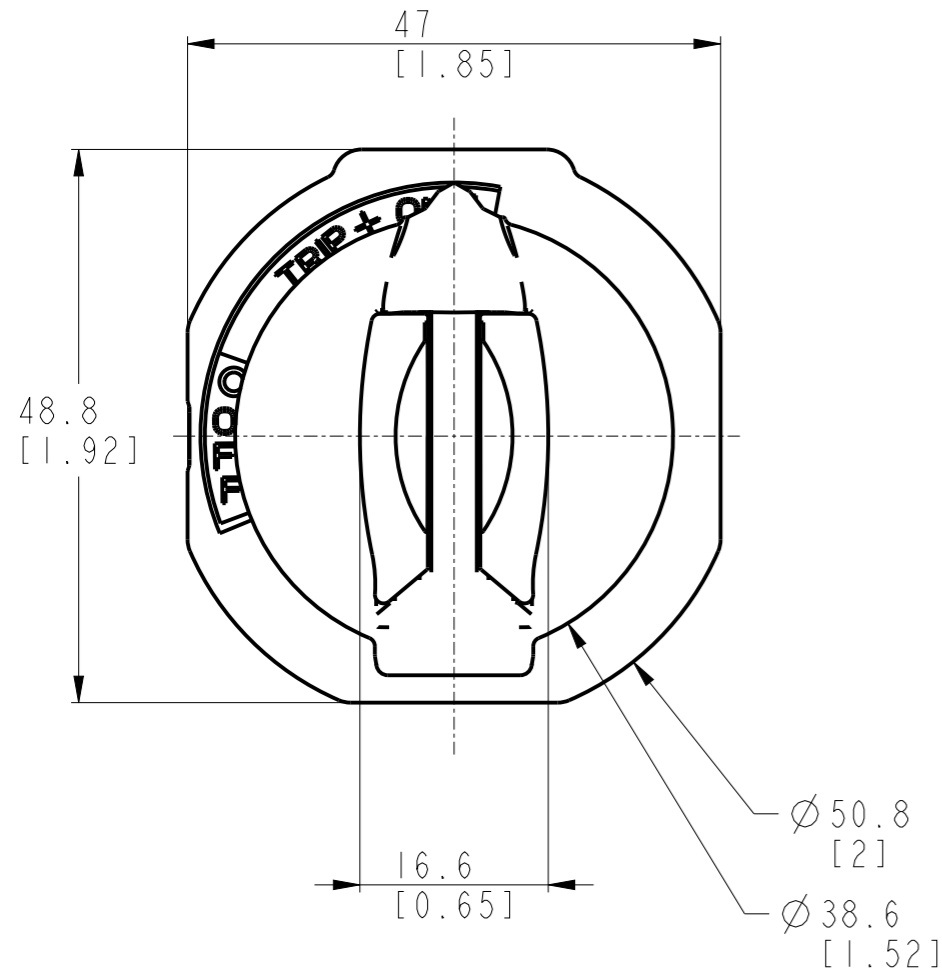


| CRITICAL TO QUALITY CLASSIFICATION TABLE | | | | | |
|---|--------------|---|---|---|---|
| P=PERFORMANCE, F=FIT, A=ASSEMBLY | | | | | |
| X=IDENTIFIES APPLICABLE CLASSIFICATION(S) | | | | | |
| ◇=ENGINEERING AND/OR MANUFACTURING REQUIREMENT | | | | | |
| Ⓢ=REGULATORY REQUIREMENT-CONFORMANCE IS MANDATORY | | | | | |
| COMMENTS | DRAWING ZONE | P | F | A | R |
| ROHS | GI-HI | | | | X |



3D VIEW

-Dimensions are shown in mm [inches]
 -Dimensions are not intended to be used for manufacturing purposes

MUST COMPLY WITH ROCKWELL AUTOMATION ENVIRONMENTAL SPECIFICATION 970-20-01

| | | | | |
|--|--------------------|----------|---------------|---|
| | | | 10005905959 | PN-514070 |
| | | | 10005905959 | PN-514069 |
| WORKMANSHIP STANDARDS | FINISH | MATERIAL | MODEL/DIR NO. | PART/MMR NUMBER |
| ALL UNDIMENSIONED GEOMETRIES ARE CONTROLLED BY THE CAD MODEL. IN CASE OF DIMENSION DISCREPANCY, CAD MODEL OVERRIDES. | | | | CONFIDENTIAL AND PROPRIETARY INFORMATION. THIS DOCUMENT CONTAINS CONFIDENTIAL AND PROPRIETARY INFORMATION OF ROCKWELL AUTOMATION, INC. AND MAY NOT BE USED, COPIED OR DISCLOSED TO OTHERS, EXCEPT WITH THE AUTHORIZED WRITTEN PERMISSION OF ROCKWELL AUTOMATION, INC. |
| FIRST ANGLE PROJECTION | DESCRIPTION | | | DATE: 2020-12-10 |
| | 140MT-SB, 140MT-SY | SIZE | DIR | VER |
| CREATED BY: RPAMPAT | CHANGED BY: - | A3 | 10005906026 | 00 |