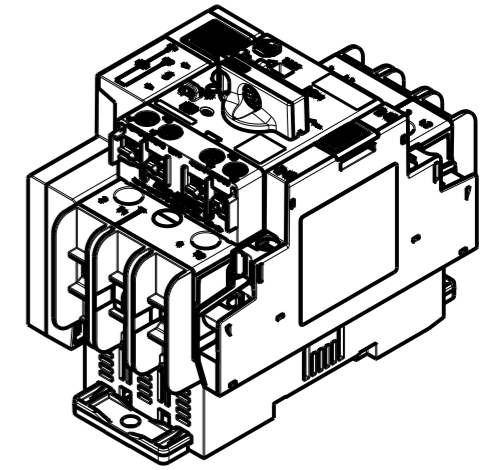
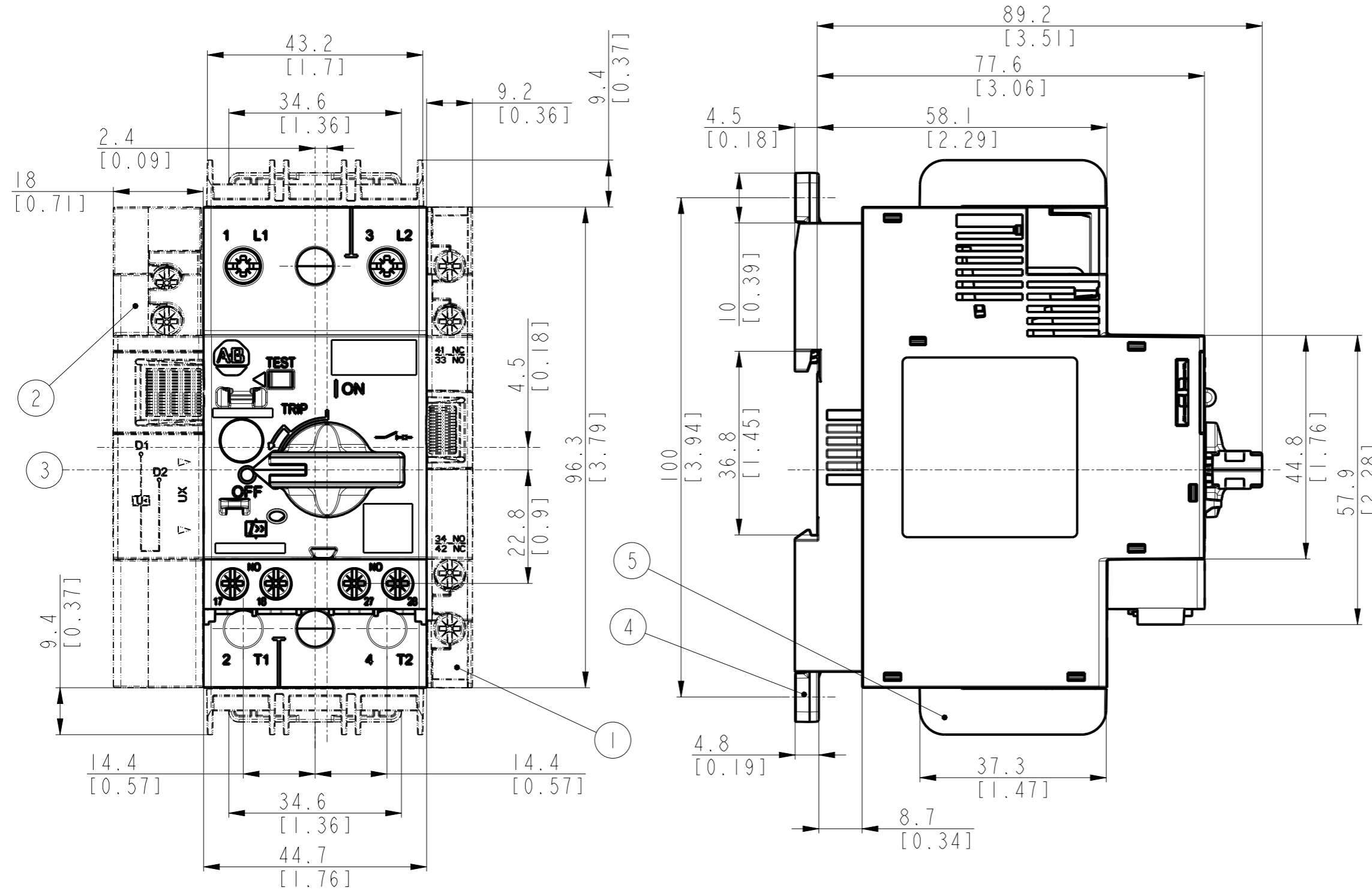


CRITICAL TO QUALITY CLASSIFICATION TABLE					
P=PERFORMANCE, F=FIT, A=ASSEMBLY					
X=IDENTIFIES APPLICABLE CLASSIFICATION(S)					
◇=ENGINEERING AND/OR MANUFACTURING REQUIREMENT					
⊕=REGULATORY REQUIREMENT-CONFORMANCE IS MANDATORY					
COMMENTS	DRAWING ZONE	P	F	A	R
ROHS	GI-HI				X



Catalog No	Model/Dir No	Material No
140UT-D7D2-A50	10005067316	PN-494638
140UT-D7D2-B10		PN-494766
140UT-D7D2-B20		PN-494769
140UT-D7D2-B30		PN-494770
140UT-D7D2-B40		PN-494772
140UT-D7D2-B50		PN-494775
140UT-D7D2-B60		PN-494776
140UT-D7D2-B80		PN-494778
140UT-D7D2-C10		PN-494779
140UT-D7D2-C12		PN-494781
140UT-D7D2-C15		PN-494782
140UT-D7D2-C20		PN-494784
140UT-D7D2-C25		PN-494787
140UT-D7D2-C30		PN-494789
140UT-D7D2-C35		PN-494791
140UT-D7D2-C40		PN-494794



- ① Side Mounted, Auxiliary Contact 140MT-C-ASA\*
- ② Undervoltage trip or Shunt trip 140MT-C-UX\*  
140MT-C-SN\*
- ③ Front Mount, Auxiliary Contact 140MT-C-AFA\*
- ④ Screw Mounting Adapter 140MT-C-N45
- ⑤ Type E Spacing Adapter 140MT-C-TE

-Side Aux can not be applied for UL489 application

MUST COMPLY WITH ROCKWELL AUTOMATION ENVIRONMENTAL SPECIFICATION 970-20-01

-Dimensions are shown in mm [inches]  
-Dimensions are not intended to be used for manufacturing purposes

ALL UNDIMENSIONED GEOMETRIES ARE CONTROLLED BY THE CAD MODEL. IN CASE OF DIMENSION DISCREPANCY, CAD MODEL OVERRIDES.			CONFIDENTIAL AND PROPRIETARY INFORMATION. THIS DOCUMENT CONTAINS CONFIDENTIAL AND PROPRIETARY INFORMATION OF ROCKWELL AUTOMATION, INC. AND MAY NOT BE USED, COPIED OR DISCLOSED TO OTHERS, EXCEPT WITH THE AUTHORIZED WRITTEN PERMISSION OF ROCKWELL AUTOMATION, INC.	
	<b>140UT-D7D2</b>		DATE: 2021-08-20	SHEET 1 OF 1
FIRST ANGLE PROJECTION 	DESCRIPTION	SIZE	DIR	VER
CREATED BY: RPAMPAT	CHANGED BY: PKLANDE	A3	10005898639	00