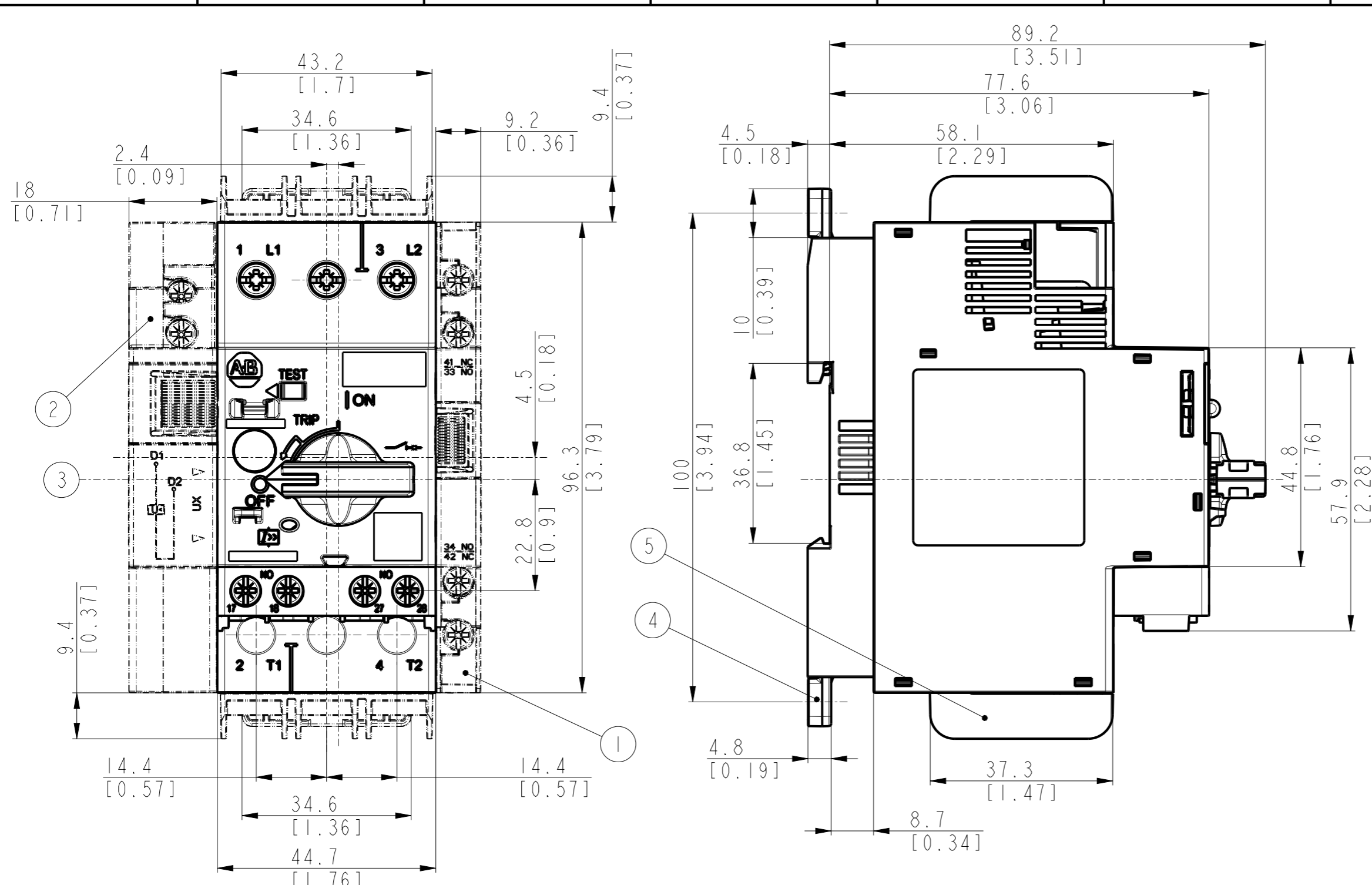
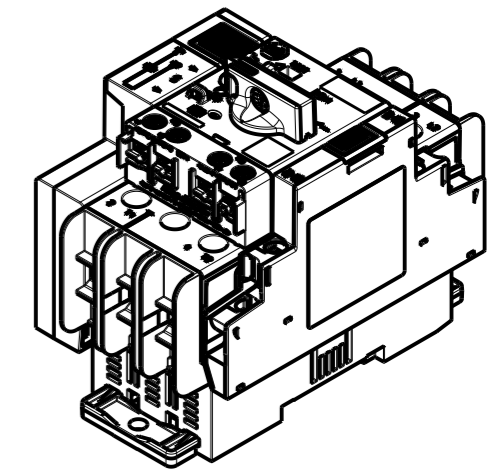


CRITICAL TO QUALITY CLASSIFICATION TABLE					
P=PERFORMANCE, F=FIT, A=ASSEMBLY					
X=IDENTIFIES APPLICABLE CLASSIFICATION(S)					
◇=ENGINEERING AND/OR MANUFACTURING REQUIREMENT					
Ⓢ=REGULATORY REQUIREMENT-CONFORMANCE IS MANDATORY					
COMMENTS	DRAWING ZONE	P	F	A	R
ROHS	GI-HI				X



Catalog No	Model/Dir No	Material No
140UT-D7D3-C40	10005067316	PN-494834
140UT-D7D3-C35		PN-494833
140UT-D7D3-C30		PN-494832
140UT-D7D3-C25		PN-494831
140UT-D7D3-C20		PN-494830
140UT-D7D3-C15		PN-494829
140UT-D7D3-C12		PN-494828
140UT-D7D3-C10		PN-494827
140UT-D7D3-B80		PN-494811
140UT-D7D3-B60		PN-494810
140UT-D7D3-B50		PN-494809
140UT-D7D3-B40		PN-494808
140UT-D7D3-B30		PN-494807
140UT-D7D3-B20		PN-494798
140UT-D7D3-B10	PN-494797	
140UT-D7D3-A50	PN-494795	

- ① Side Mounted, Auxiliary Contact 140MT-C-ASA*
- ② Undervoltage trip or Shunt trip 140MT-C-UX*
140MT-C-SN*
- ③ Front Mount, Auxiliary Contact 140MT-C-AFA*
- ④ Screw Mounting Adapter 140MT-C-N45
- ⑤ Type E Spacing Adapter 140MT-C-TE

-Side Aux can not be applied for UL489 application

MUST COMPLY WITH ROCKWELL AUTOMATION ENVIRONMENTAL SPECIFICATION 970-20-01

-Dimensions are shown in mm [inches]
-Dimensions are not intended to be used for manufacturing purposes

ALL UNDIMENSIONED GEOMETRIES ARE CONTROLLED BY THE CAD MODEL. IN CASE OF DIMENSION DISCREPANCY, CAD MODEL OVERRIDES. FIRST ANGLE PROJECTION 		CONFIDENTIAL AND PROPRIETARY INFORMATION. THIS DOCUMENT CONTAINS CONFIDENTIAL AND PROPRIETARY INFORMATION OF ROCKWELL AUTOMATION, INC. AND MAY NOT BE USED, COPIED OR DISCLOSED TO OTHERS, EXCEPT WITH THE AUTHORIZED WRITTEN PERMISSION OF ROCKWELL AUTOMATION, INC.	
		DESCRIPTION 140UT-D7D3	DATE: 2021-08-20 SHEET 1 OF 1
CREATED BY: RPAMPAT CHANGED BY: PKLANDE	SIZE: A3 DIR: 10005951915 VER: 00		