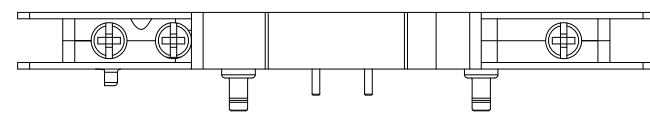
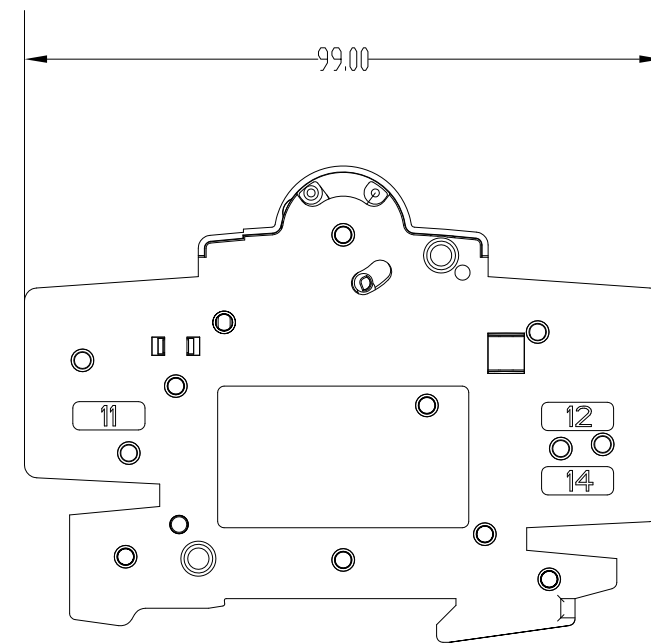
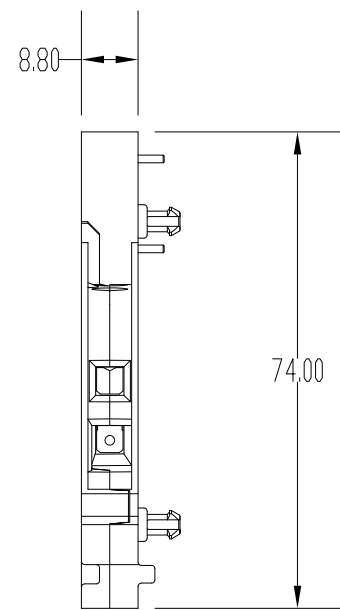
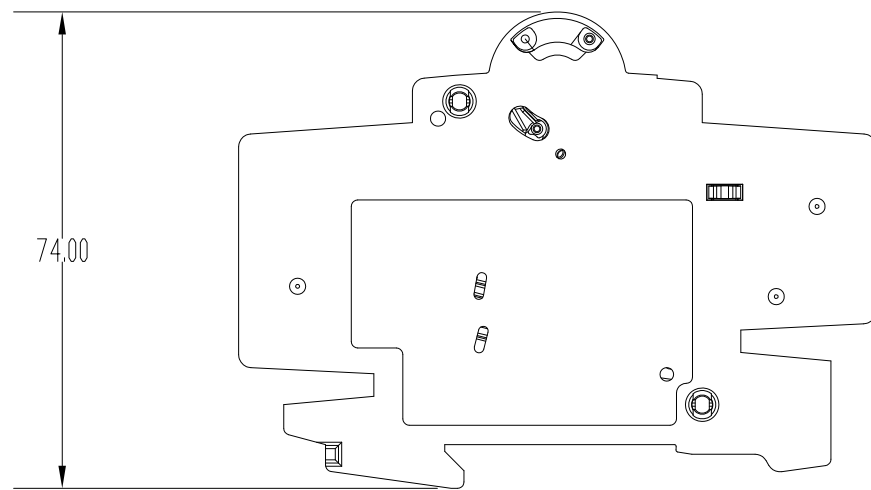


1 2 3 4 5 6 7 8

A
B
C
D
E
F
G
H



Scale 1:1

Rockwell Automation AUXILIARY CONTACT 1 N.O./N.C. 1489-AMRA3		<small>CONFIDENTIAL AND PROPRIETARY INFORMATION. THIS DOCUMENT CONTAINS CONFIDENTIAL AND PROPRIETARY INFORMATION OF ROCKWELL AUTOMATION, INC. AND MAY NOT BE USED, COPIED OR DISCLOSED TO OTHERS, EXCEPT WITH THE AUTHORIZED WRITTEN PERMISSION OF ROCKWELL AUTOMATION, INC.</small>	
		Sheet 1 of 1 Size B	Ver 00 10000871945
Drawn by: MGUELEMI		Date: 10-31-13	