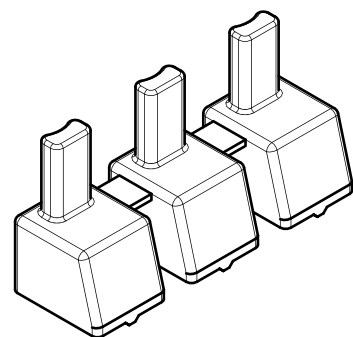


( 1 : 1 )



**NOTE:**  
All Dimensions are in millimeters.

<b>Rockwell Automation</b>		CONFIDENTIAL AND PROPRIETARY INFORMATION. THIS DOCUMENT CONTAINS CONFIDENTIAL AND PROPRIETARY INFORMATION OF ROCKWELL AUTOMATION, INC. AND MAY NOT BE USED, COPIED OR DISCLOSED TO OTHERS, EXCEPT WITH THE AUTHORIZED WRITTEN PERMISSION OF ROCKWELL AUTOMATION, INC.	
<b>1489-AMCLPS BUS BAR ACCESSORIES PROTECTIVE SHROUD (FOR UNUSED PINS)</b>		Sheet 1 Of 1	
Dr. M. GUELM		Date 02-12-14	Ver 00
Size <b>B</b>	10001012674		