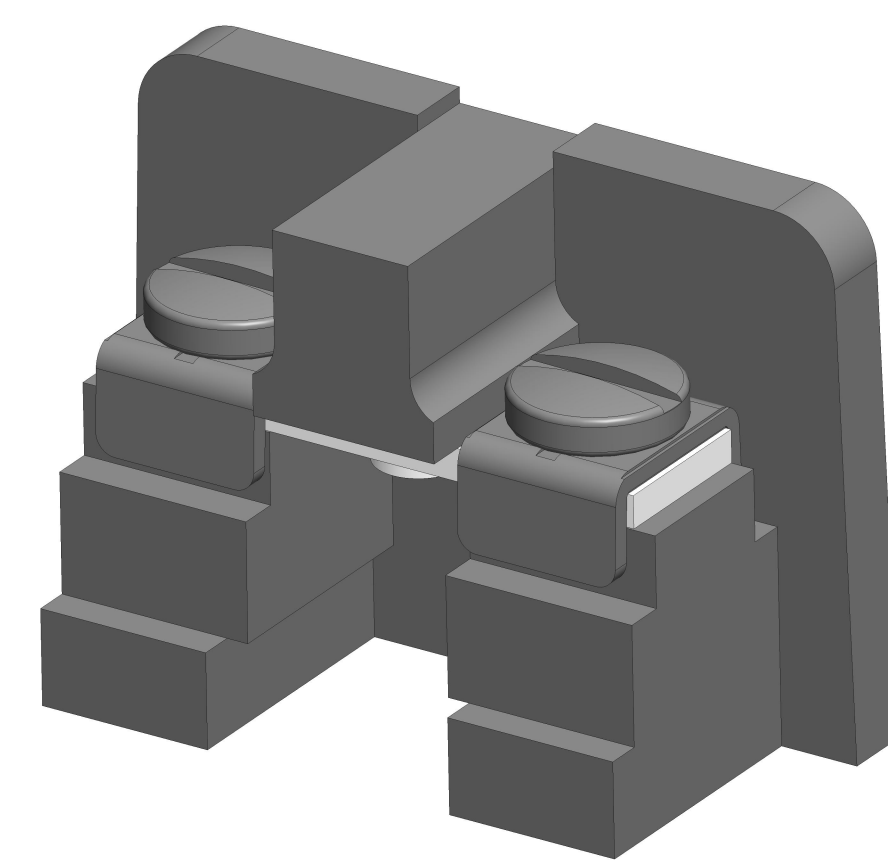
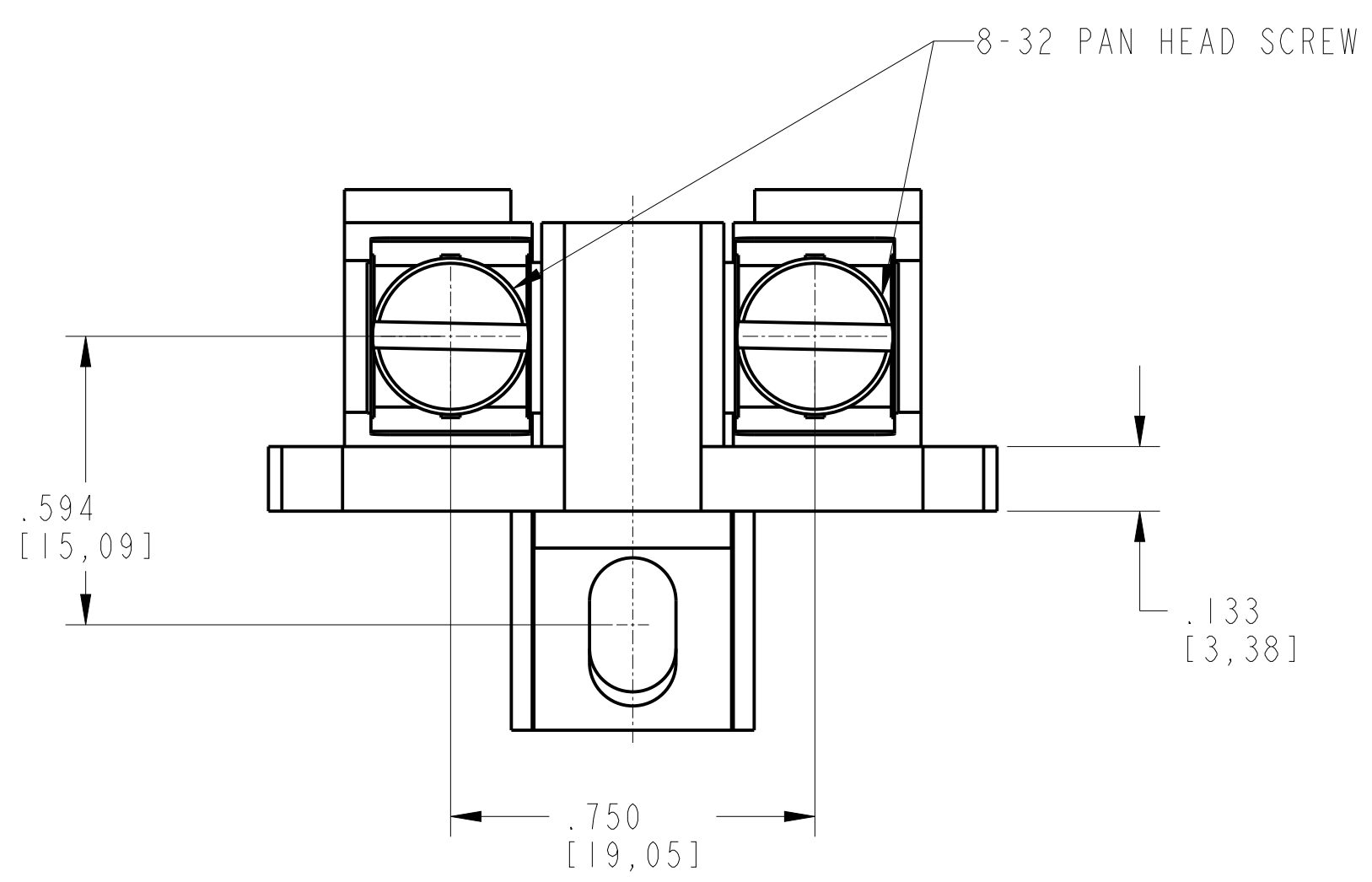


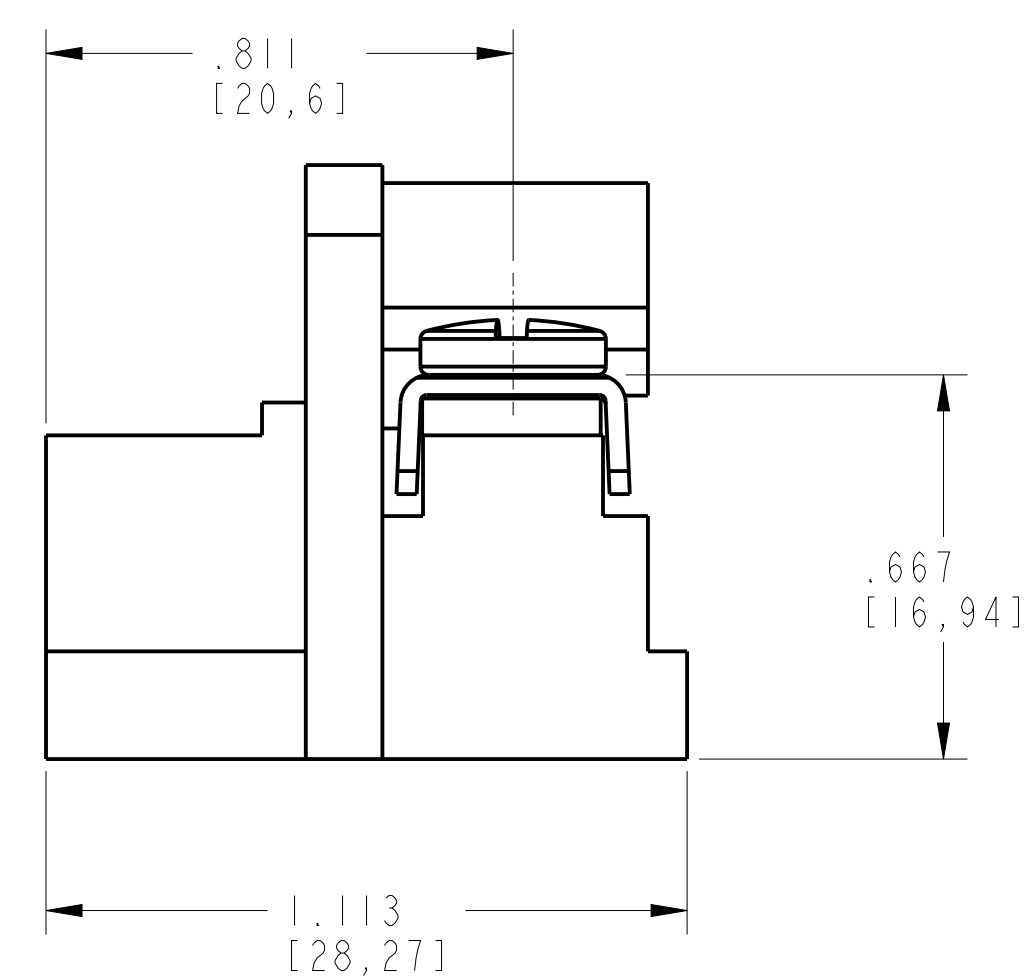
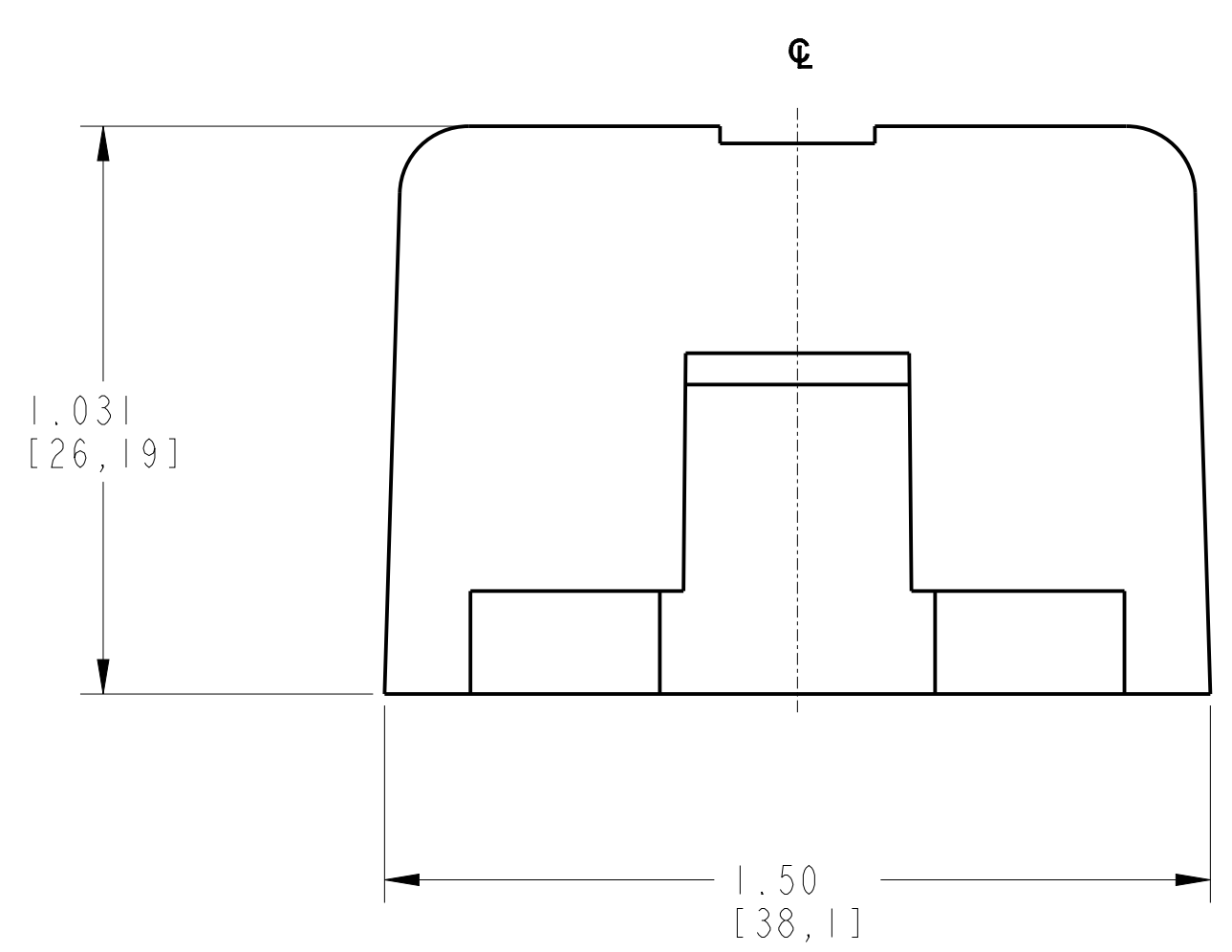
CRITICAL TO QUALITY CLASSIFICATION TABLE

P=PERFORMANCE, F=FIT, A=ASSEMBLY
 X=IDENTIFIES APPLICABLE CLASSIFICATION(S)
 ◇=ENGINEERING AND/OR MANUFACTURING REQUIREMENT
 ⊕=REGULATORY REQUIREMENT-CONFORMANCE IS MANDATORY

COMMENTS	DRAWING ZONE	P	F	A	R
ROHS	G1-H1				X



ISOMETRIC VIEW



MUST COMPLY WITH ROCKWELL
 AUTOMATION ENVIRONMENTAL
 SPECIFICATION 970-20-01

NOTE:
 1. APPROXIMATE DIMENSIONS ARE SHOWN IN INCHES [MILLIMETERS].
 DIMENSIONS ARE NOT INTENDED TO BE USED FOR MANUFACTURING PURPOSES.



CUSTOMER DRW , 1492-15T

CONFIDENTIAL AND PROPRIETARY INFORMATION.
 THIS DOCUMENT CONTAINS CONFIDENTIAL AND PROPRIETARY
 INFORMATION OF ROCKWELL AUTOMATION, INC. AND MAY
 NOT BE USED, COPIED OR DISCLOSED TO OTHERS, EXCEPT
 WITH THE AUTHORIZED WRITTEN PERMISSION OF ROCKWELL
 AUTOMATION, INC.

DATE: 2022-10-28 SHEET 1 OF 1

DESCRIPTION	C		10007054420	00
	SIZE	DIR	VER	
CREATED BY: SGOWDAI	CHANGED BY: -			