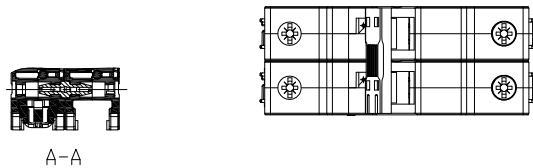
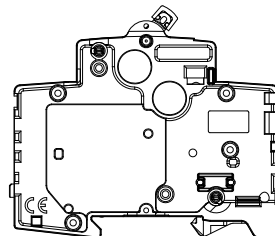
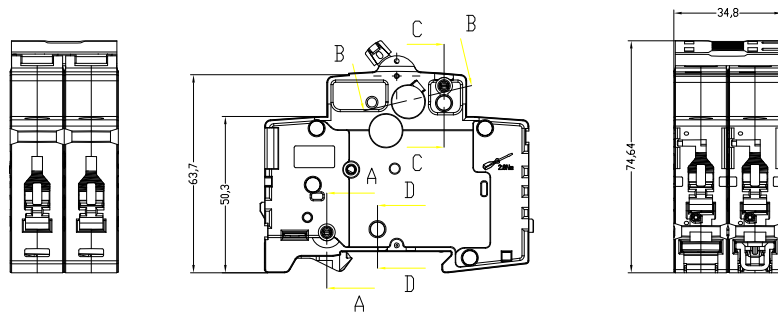
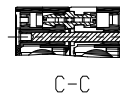
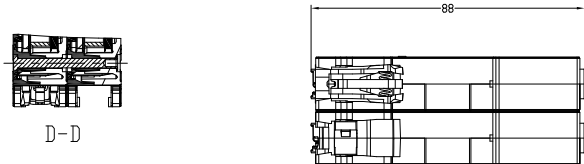


1 2 3 4 5 6 7 8

A  
B  
C  
D  
E  
F  
G  
H



|                |                 |                |                 |
|----------------|-----------------|----------------|-----------------|
|                |                 | C630           | PN-DI65523      |
|                |                 | C500           | PN-DI65522      |
|                |                 | C400           | PN-DI65521      |
|                |                 | C320           | PN-DI65520      |
|                |                 | C300           | PN-DI65519      |
|                |                 | C250           | PN-DI65518      |
|                |                 | C200           | PN-DI65517      |
|                |                 | C160           | PN-DI65516      |
|                |                 | C150           | PN-DI65515      |
|                |                 | C130           | PN-DI6514       |
|                |                 | C100           | PN-DI6513       |
|                |                 | C080           | PN-DI65512      |
|                |                 | C070           | PN-DI65511      |
|                |                 | C060           | PN-DI65510      |
|                |                 | C050           | PN-DI65509      |
|                |                 | C040           | PN-DI65508      |
|                |                 | C030           | PN-DI65507      |
|                |                 | C020           | PN-DI65506      |
|                |                 | C010           | PN-DI65505      |
|                |                 | C005           | PN-DI65504      |
| D630           | PN-DI67958      | B630           | PN-DI65503      |
| D500           | PN-DI67959      | B500           | PN-DI65502      |
| D400           | PN-DI65541      | B400           | PN-DI65501      |
|                |                 | B350           | PN-DI65500      |
| D320           | PN-DI65540      | B320           | PN-DI65499      |
| D300           | PN-DI65539      | B300           | PN-DI65498      |
| D250           | PN-DI65538      | B250           | PN-DI65497      |
| D200           | PN-DI65537      | B200           | PN-DI65496      |
| D160           | PN-DI65536      | B160           | PN-DI65495      |
| D150           | PN-DI65535      | B150           | PN-DI65494      |
| D130           | PN-DI65534      | B130           | PN-DI65493      |
| D100           | PN-DI65533      | B100           | PN-DI65492      |
| D080           | PN-DI65532      | B080           | PN-DI65491      |
| D070           | PN-DI65531      | B070           | PN-DI65490      |
| D060           | PN-DI65530      | B060           | PN-DI65489      |
| D050           | PN-DI65529      | B050           | PN-DI65488      |
| D040           | PN-DI65528      | B040           | PN-DI65487      |
| D030           | PN-DI65527      | B030           | PN-DI65486      |
| D020           | PN-DI65526      | B020           | PN-DI65485      |
| D016           |                 |                |                 |
| D010           | PN-DI65525      | B010           | PN-DI65485      |
| D005           | PN-DI65524      | B005           | PN-DI67843      |
| CATALOG NUMBER | MATERIAL MASTER | CATALOG NUMBER | MATERIAL MASTER |

|   |                 |   |    |
|---|-----------------|---|----|
| <b>Rockwell Automation</b>                    |                 | CONFIDENTIAL AND PROPRIETARY INFORMATION. THIS DOCUMENT CONTAINS CONFIDENTIAL AND PROPRIETARY INFORMATION OF ROCKWELL AUTOMATION, INC. AND MAY NOT BE USED, COPIED OR DISCLOSED TO OTHERS, EXCEPT WITH THE AUTHORIZED WRITTEN PERMISSION OF ROCKWELL AUTOMATION, INC. |    |
| SUPPLEMENTARY PROTECTOR, 2 POLE<br>1492-SPM2* |                 | Sheet 1 OF 1  |    |
| Size c  | 10000858713     | Ver   | 00 |
| Drawn by: M. GUELEMI                          | Date: 9/18/2013 |   |    |