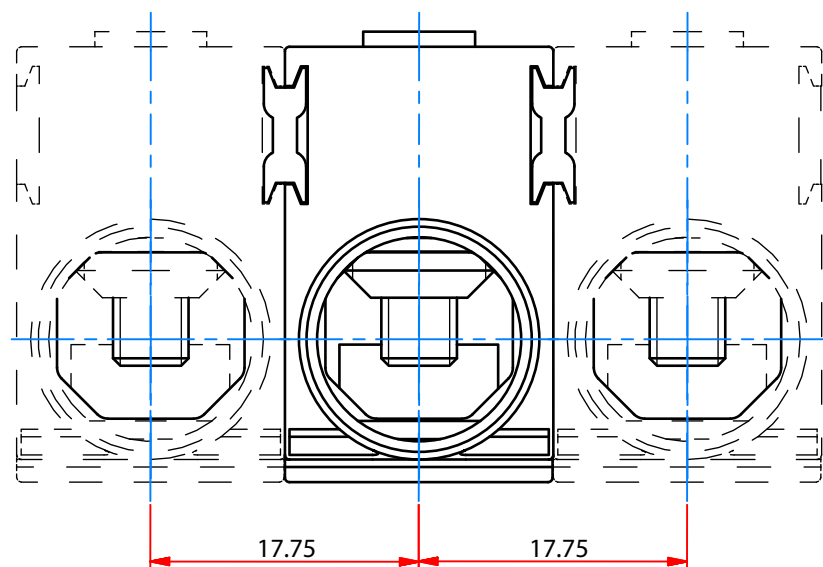
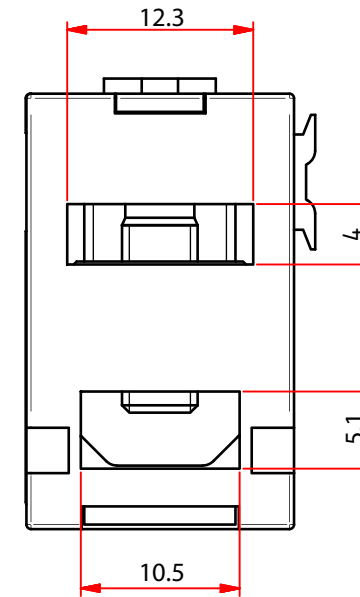
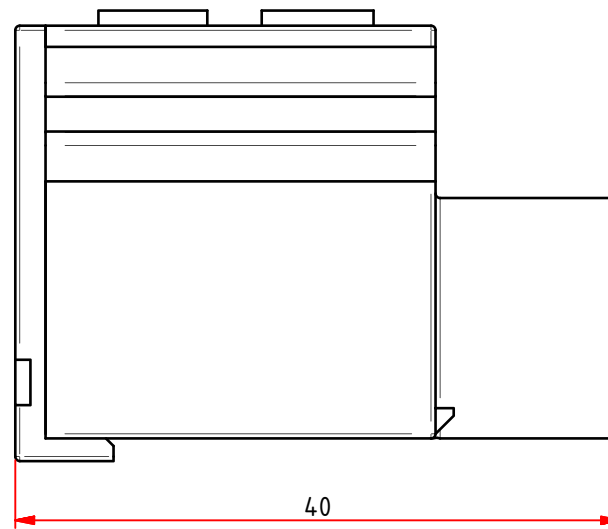
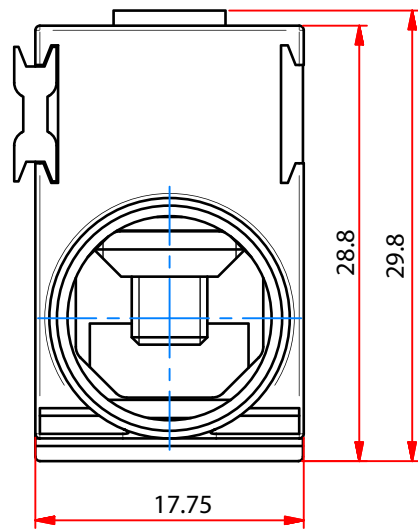
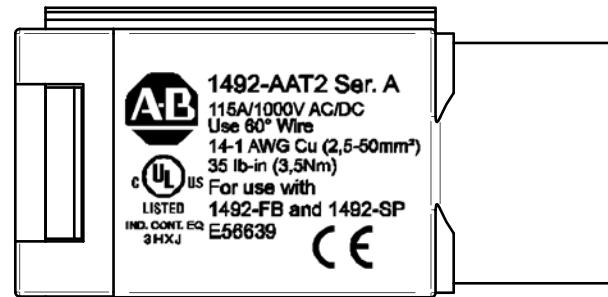


( 1 : 1 )



**NOTE:**  
All Dimensions are in millimeters.

# Rockwell Automation

**1492-AAT2 BUS BAR ACCESSORIES  
DEDICATED POWER FEED, 50mm<sup>2</sup>**

Dr. M. GUELM

Date 02-12-14

CONFIDENTIAL AND PROPRIETARY INFORMATION. THIS DOCUMENT CONTAINS CONFIDENTIAL AND PROPRIETARY INFORMATION OF ROCKWELL AUTOMATION, INC. AND MAY NOT BE USED, COPIED OR DISCLOSED TO OTHERS, EXCEPT WITH THE AUTHORIZED WRITTEN PERMISSION OF ROCKWELL AUTOMATION, INC.

Sheet 1 Of 1

Size **B** 10001013707 Ver 00