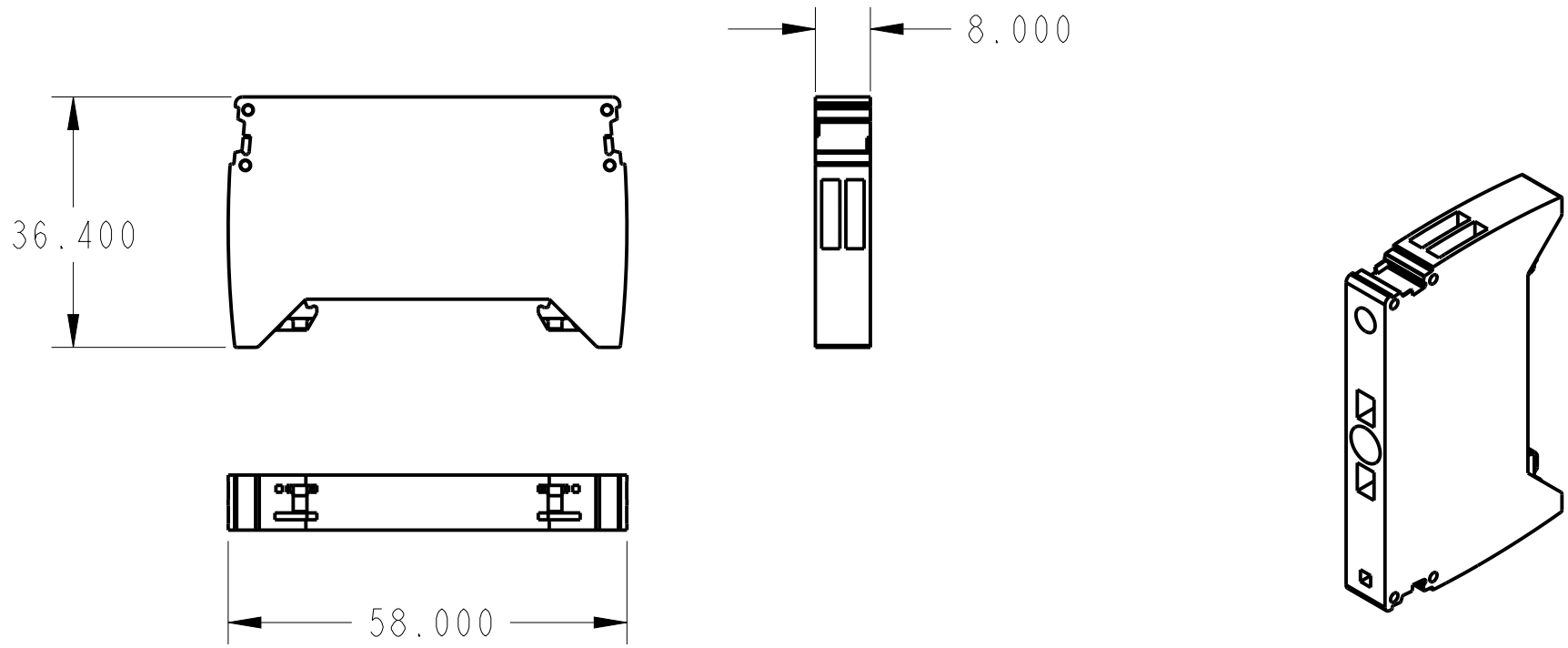


CRITICAL TO QUALITY CLASSIFICATION TABLE					
P=PERFORMANCE, F=FIT, A=ASSEMBLY X=IDENTIFIES APPLICABLE CLASSIFICATION(S) ◇=ENGINEERING AND/OR MANUFACTURING REQUIREMENT Ⓢ=REGULATORY REQUIREMENT-CONFORMANCE IS MANDATORY					
COMMENTS	DRAWING ZONE	◇ P	◇ F	◇ A	Ⓢ R
ROHS	GI-HI				X



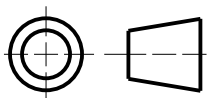
MUST COMPLY WITH ROCKWELL  
 AUTOMATION ENVIRONMENTAL  
 SPECIFICATION 970-20-01

ALL UNDIMENSIONED  
 GEOMETRIES ARE  
 CONTROLLED BY THE  
 CAD MODEL. IN CASE  
 OF DIMENSION  
 DISCREPANCY, CAD  
 MODEL OVERRIDES.



CONFIDENTIAL AND PROPRIETARY INFORMATION.  
 THIS DOCUMENT CONTAINS CONFIDENTIAL AND PROPRIETARY  
 INFORMATION OF ROCKWELL AUTOMATION, INC. AND MAY  
 NOT BE USED, COPIED OR DISCLOSED TO OTHERS, EXCEPT  
 WITH THE AUTHORIZED WRITTEN PERMISSION OF ROCKWELL  
 AUTOMATION, INC.

THIRD ANGLE PROJECTION



DESCRIPTION

1492-eap35.drw

CREATED BY: LYANG26

CHANGED BY:

DATE: 2019-08-20

SHEET 1 OF 1

SIZE

DIR

VER

A

01