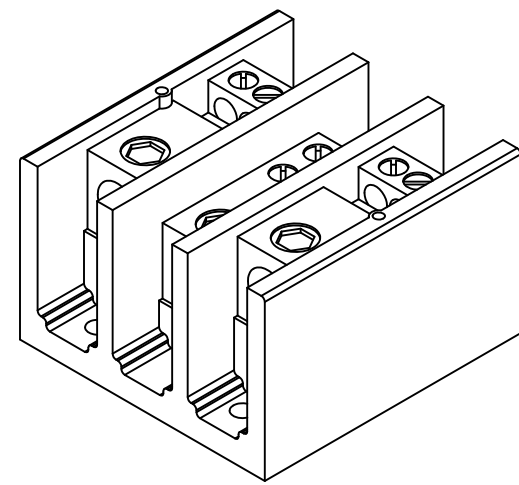
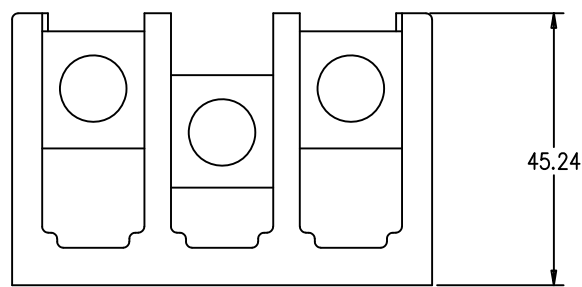
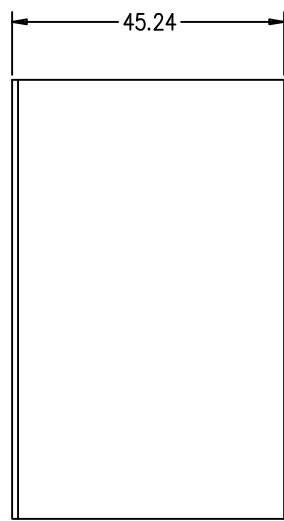
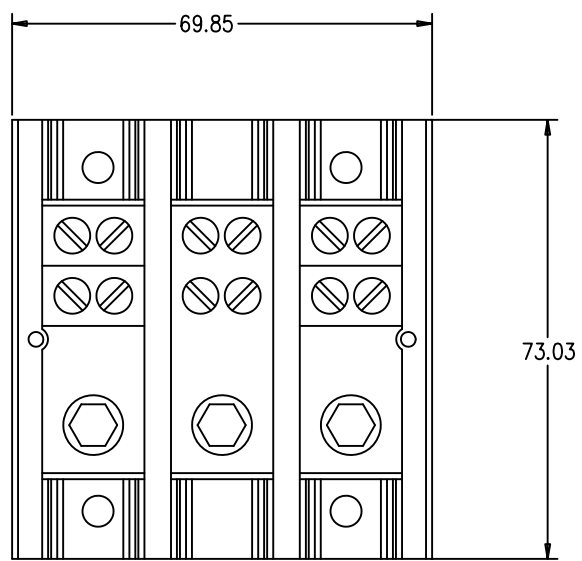


1 2 3 4 5 6 7 8

A
B
C
D
E
F
G
H



NOTE:
1. DIMENSIONS OF THE DRAWINGS ARE IN MM

Rockwell Automation		CONFIDENTIAL AND PROPRIETARY INFORMATION. THIS DOCUMENT CONTAINS CONFIDENTIAL AND PROPRIETARY INFORMATION OF ROCKWELL AUTOMATION, INC. AND MAY NOT BE USED, COPIED OR DISCLOSED TO OTHERS, EXCEPT WITH THE AUTHORIZED WRITTEN PERMISSION OF ROCKWELL AUTOMATION, INC.	
1492-PD3141 DRAWING		Sheet	1 of 1
Drawn by: VR1	Date: 12/5/2018	Size	Ver
		B	00