

1492-IFM40F-FSA-4

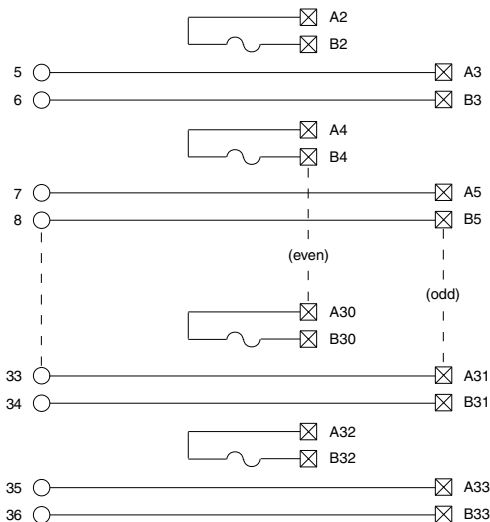
Fusible 16 Individually Isolated 120V AC/DC
4 Terminals/Input



Application Notes

- Compatibility** — To ensure proper operation with the I/O module, do **not** exceed the voltage and current ratings of the IFM.
- Wiring** — Refer to the Label Section on page 174. For Field-Side Wiring Diagrams, refer to the Wiring System web site information on page 200.
- Fusing** — Fuse holders are included with the IFM. Fuses (5 x 20 mm) are not included.
- Extra Terminals** — Two field-side terminals are internally connected on the IFM for each channel, and are available for power source common connections.
- Isolation** — The fuse clips are isolated into 16 groups of terminals. This allows each input device to reference a different power source.
- Dimensions** — Refer to page 163.

Pinout



1492-IFM40F-FS120A-4 1492-RIFM40F-FS120A-4

Fusible 16 Individually Isolated with 120V AC/DC Blown
Fuse LED Indicators & 4 Terminals/Input



Application Notes

- Compatibility** — To ensure proper operation with the I/O module, do **not** exceed the voltage and current ratings of the IFM.
- Wiring** — Refer to the Label Section on page 174. For Field-Side Wiring Diagrams, refer to the Wiring System web site information on page 200.
- Fusing** — Fuse holders are included with the IFM. Fuses (5 x 20 mm) are not included.
- Extra Terminals** — Two field-side terminals are internally connected on the IFM for each channel, and are available for power source common connections.
- Isolation** — The fuse clips and blown fuse indicators are isolated into 16 groups of terminals. This allows each input device to reference a different power source.
- Dimensions** — Refer to page 163.

Pinout

