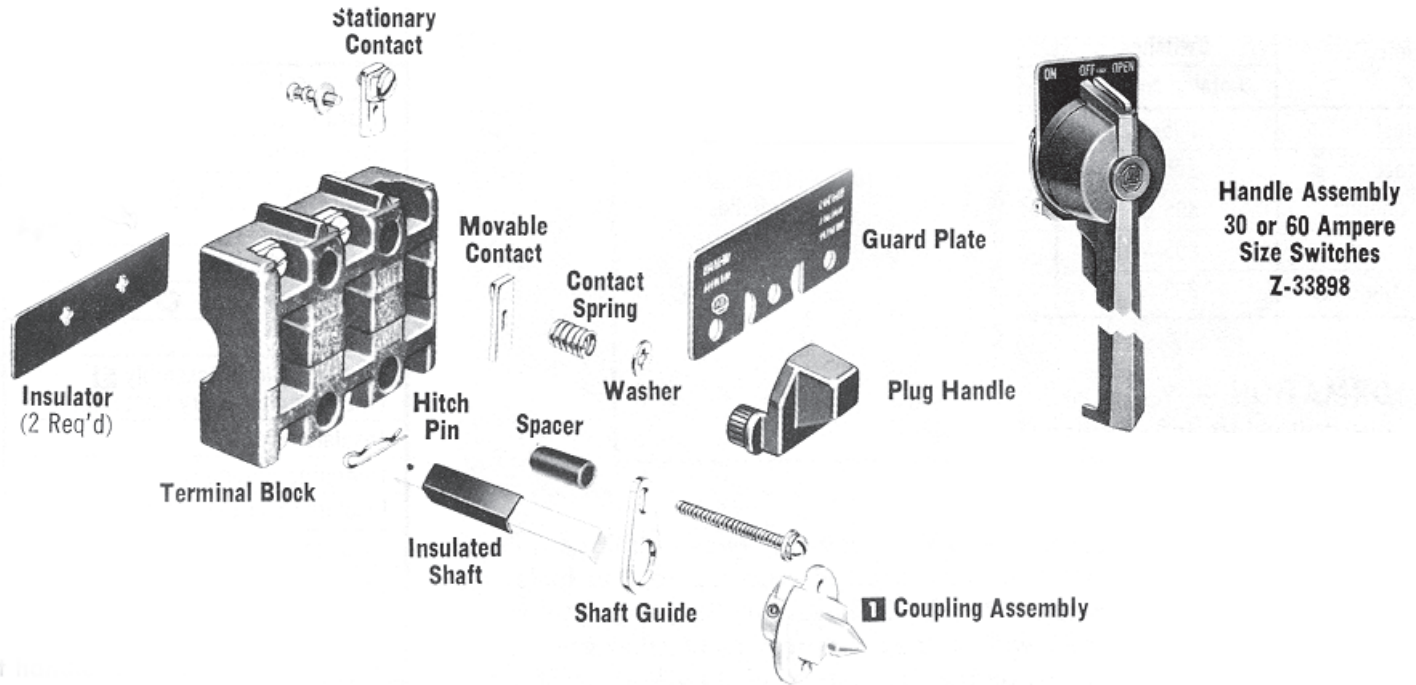


1494R Rod Operated Disconnect Switches

Renewal Parts

30 and 60 Amp Disconnect Switches



Coupling Assembly is included with the Handle Assembly repair part number Z-33898.

PART DESCRIPTION	CATALOG NUMBER	
	1494R-N30	1494R-N60
Handle Assembly (see p. 3 for parts breakdown)	Z-33898	Z-33898
Guard Plate	F-26043	F-26042
Plug Handle	F-19048	F-19049
Stationary Contact ①	X-193566	X-193567
Movable Contact ①	X-176861	X-177810
Contact Spring ①	B-23045	B-23045
Lug Kit (3 lugs) ②	X-225492	1494R-N1
Lug Bolt (not shown) ②	Not Applicable	M-6289
Washer	M-5353	M-5353
Terminal Block Assembly (includes 3 stationary contacts)	③	③
Insulator	F-17911	F-17912
Insulated Shaft Kit (9.5" standard) ④	40021-468-01	40021-468-01
Insulated Shaft Kit (18") ④	1494R-N4	1494R-N4
Shaft Guide	B-37937	B-37937
Spacer	F-26182	F-26183
Coupling Assembly	X-402217	X-402217
Hitch Pin	M-8025	M-8025
Nameplate for Handle	H-20922	H-20922
N.O. Auxiliary Contact ⑤	895-A1	895-A1
N.C. Auxiliary Contact ⑤	895-B1	895-B1
N.O. and N.C. Auxiliary Contact ⑤	895-C1	895-C1
Bracket for One Contact ⑤	895-M11	895-M11
Bracket for Two Contacts ⑤	895-M12	895-M12

① Order separately, repair part number contains one piece. Removal of the moveable contact and contact spring on 30 and 60 ampere switches is accomplished by depressing the contact spring retaining washer and rotating the washer 90 degrees.

② Cat. No. 1494R-N30 does not use lugs. Terminal clamp assemblies are included on the switch as standard.

③ Not available for sale. Replace this part with the 1494R-N30 switch (30 amp application) or 1494R-N60 (60 amp application).

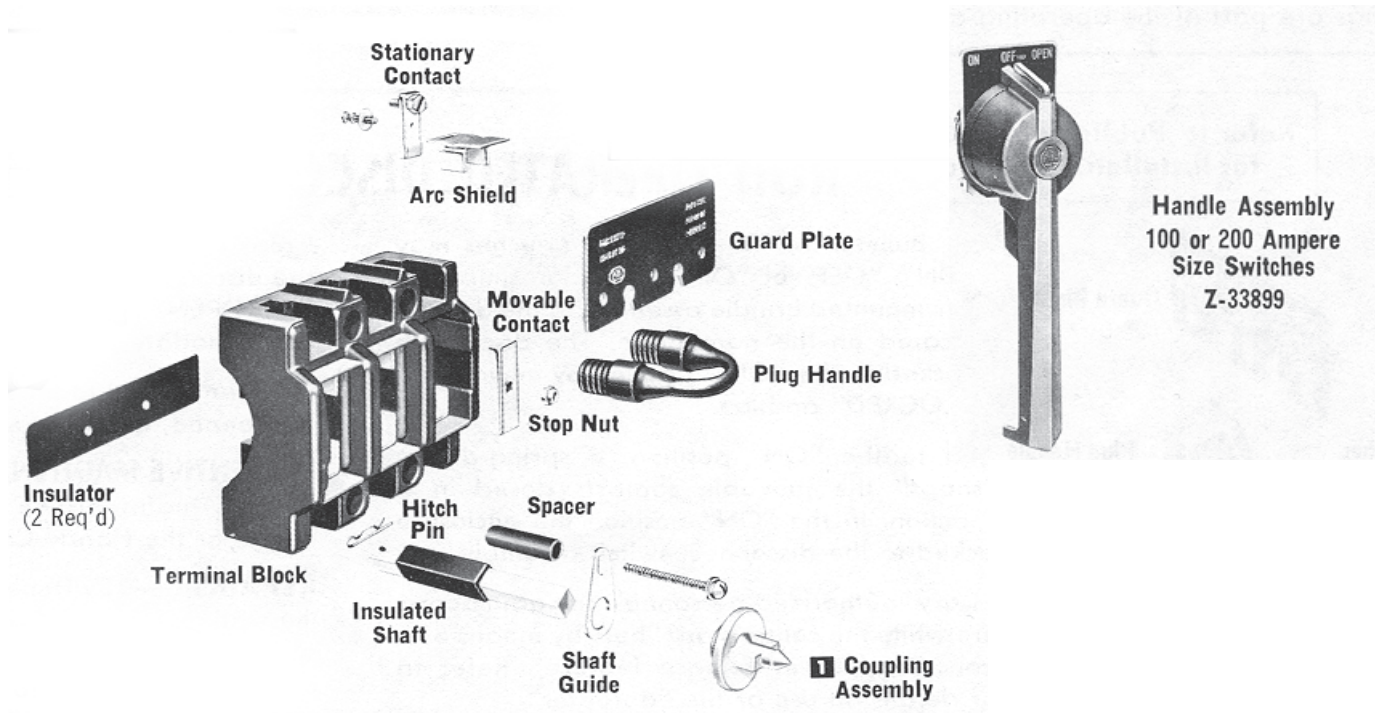
④ Includes hitch pin, shaft guide, and shaft.

⑤ Auxiliary contacts not shown. One or two auxiliary contacts can be added to each side of the disconnect.

1494R Rod Operated Disconnect Switches

Renewal Parts

100 and 200 Amp Disconnect Switches



Coupling Assembly is included in the Handle Assembly repair part number Z-33899.

PART DESCRIPTION	CATALOG NUMBER	
	1494R-N100	1494R-N200
Handle Assembly (see p. 4 for parts breakdown)	Z-33899	Z-33899
Guard Plate	F-26041	F-26040
Plug Handle	F-18454	F-18454
Stationary Contact ①	X-306104	X-306105
Movable Contact ①	X-196165	X-180994
Stop Nut ①	M-2632	M-2632
Lug Kit (3 lugs)	1494R-N2	1494R-N3
Lug Bolt (not pictured)	M-6532	M-6834
Terminal Block Assembly (includes 3 stationary contacts)	②	②
Insulator	F-18969	Not Used
Insulated Shaft Kit (11" standard) ③	40021-468-02	40021-468-03
Insulated Shaft Kit (24") ③	1494R-N5	1494R-N6
Shaft Guide	B-33502	B-33502
Spacer	F-26184	F-26185
Coupling Assembly	X-402218	X-402218
Hitch Pin	M-8026	M-8026
Nameplate for Handle (On-Off-Open)	H-20935	H-20935
N.O. Auxiliary Contact ④	895-A2	895-A2
N.C. Auxiliary Contact ④	895-B2	895-B2
N.O. and N.C. Auxiliary Contact ④	895-C2	895-C2
Bracket for One Contact ④	895-M21	895-M21
Bracket for Two Contacts ④	895-21	895-M22

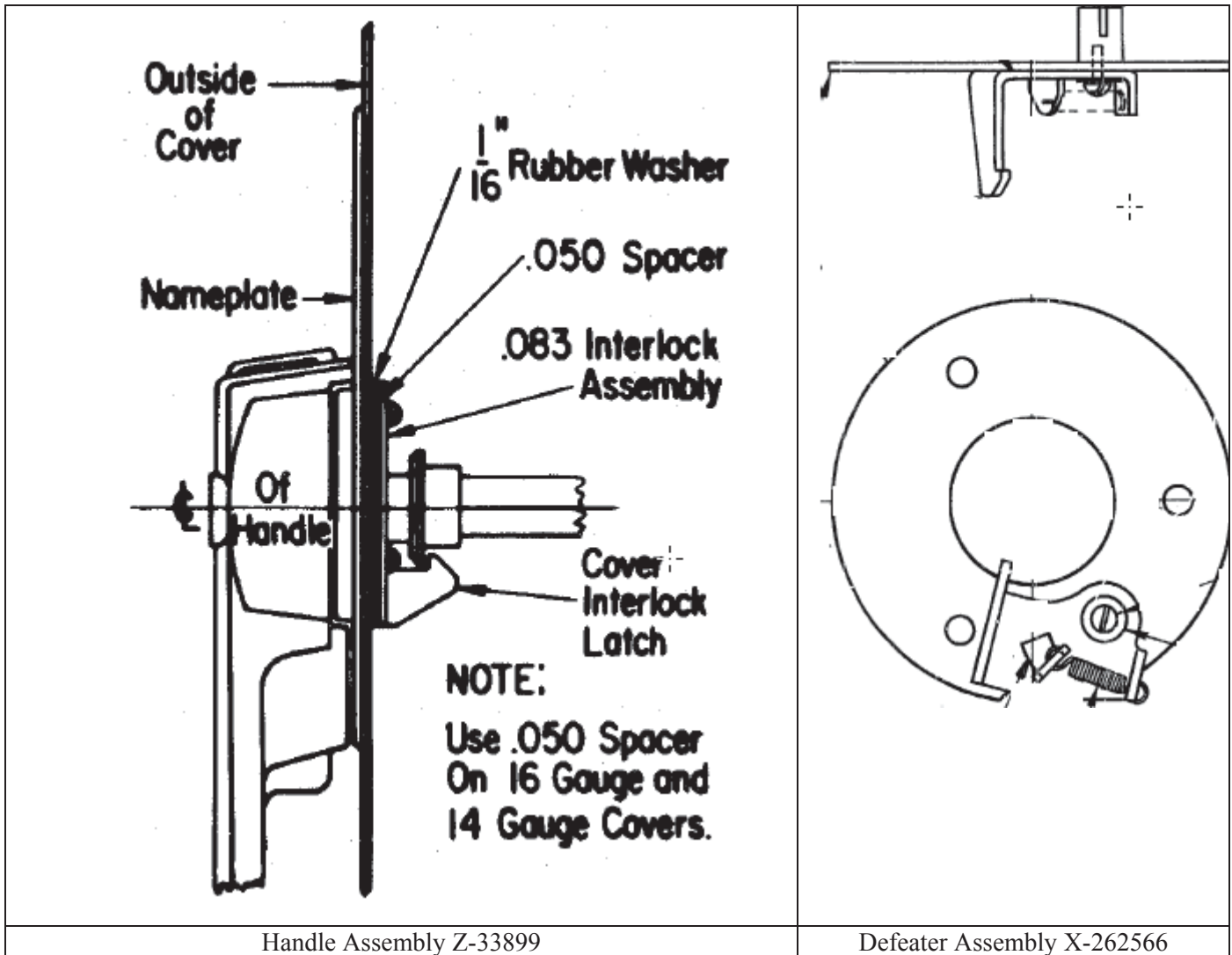
① Order individually, repair part no. contains one piece. Removal of the moveable contact and contact spring on the 100 and 200 ampere switches is accomplished by removing the stop nut.

② Not available for sale. Replace this part with the 1494R-N100 switch (100 amp application) or 1494R-N200 (200 amp application).

③ Includes hitch pin, shaft guide, and shaft.

④ Auxiliary Contacts and brackets not shown. One or two auxiliary contacts can be added to each side of the disconnect.

Handle Assembly Z-33898 Parts Breakdown used on 1494R-N30 & 1494R-N60 Disconnects

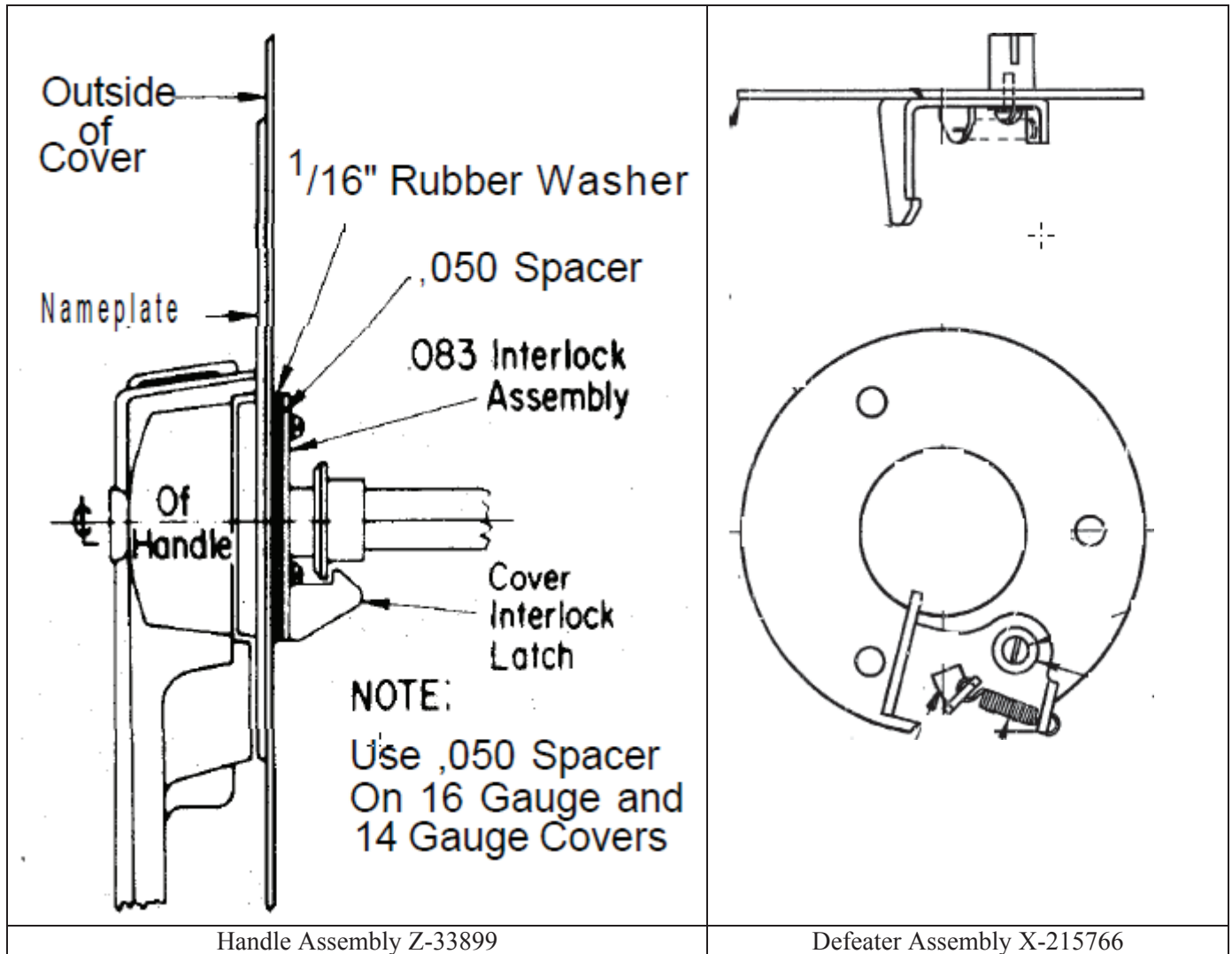


Handle Assembly Z-33899

Defeater Assembly X-262566

Description of Part	Repair Part Number
Nameplate (engraved ON-OFF-OPEN)	H-20922
Rubber Washer (gasket)	F-24296
Spacer	M-8024
Cover Interlock Latch	B-31495
Defeater Assembly (includes Cover Interlock Latch and Interlock)	X-262566
Locking Lever	B-26316

Handle Assembly Z-33899 Parts Breakdown used on 1494R-N100 & 1494R-N200 Disconnects



Description of Part	Repair Part Number
Nameplate (engraved ON-OFF-OPEN)	H-20935
Rubber Washer (gasket)	Not Available For Sale
Spacer	M-8027
Cover Interlock Latch	B-27980
Defeater Assembly (includes Cover Interlock Latch and Interlock)	X-215766
Locking Lever	X-466853

1494R Rod Operated Disconnect Switches

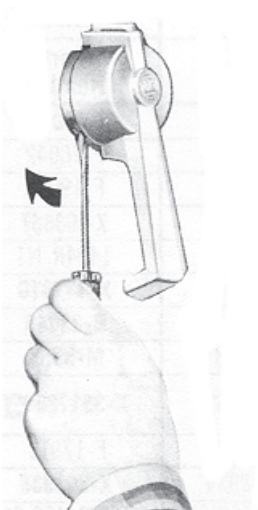
Operation

Bulletin 1494R disconnect switches may be set in the “On”, “Off” or “Open” position simply by moving the cover mounted handle assembly to the desired position as indicated on the nameplate. The disconnect switch can be locked in the “Off” position by moving the handle to the “Locked” position.

When moved to the “On” position, a spring-driven mechanism “snaps” the moveable contacts closed in a “quick-make” action. In the “On” position the enclosure door is interlocked to the disconnect switch assembly.

When necessary, authorized personnel may gain access to the enclosure while the controls are “hot” by means of a “defeater” (concealed cover release feature). Accomplish this by inserting a screwdriver into the slotted screw head located below the moveable part of the handle assembly and lifting upward. This will release the internal “catch” that interlocks the door to the disconnect switch assembly. Note, the defeater screw head is only visible when the handle is in the “On” position.

Always exercise extreme caution and use appropriate procedures and protective equipment when attempting repairs on “hot” equipment. Refer to NFPA70B Electrical Equipment Maintenance.



When moved to the “Off” position, the spring-driven mechanism “snaps” open the moveable contacts in a “quick break” action. The enclosure door remains interlocked to the disconnect switch until the handle is moved to the “Open” position. Handle assemblies are designed to accommodate padlocking in the “Off” position.