

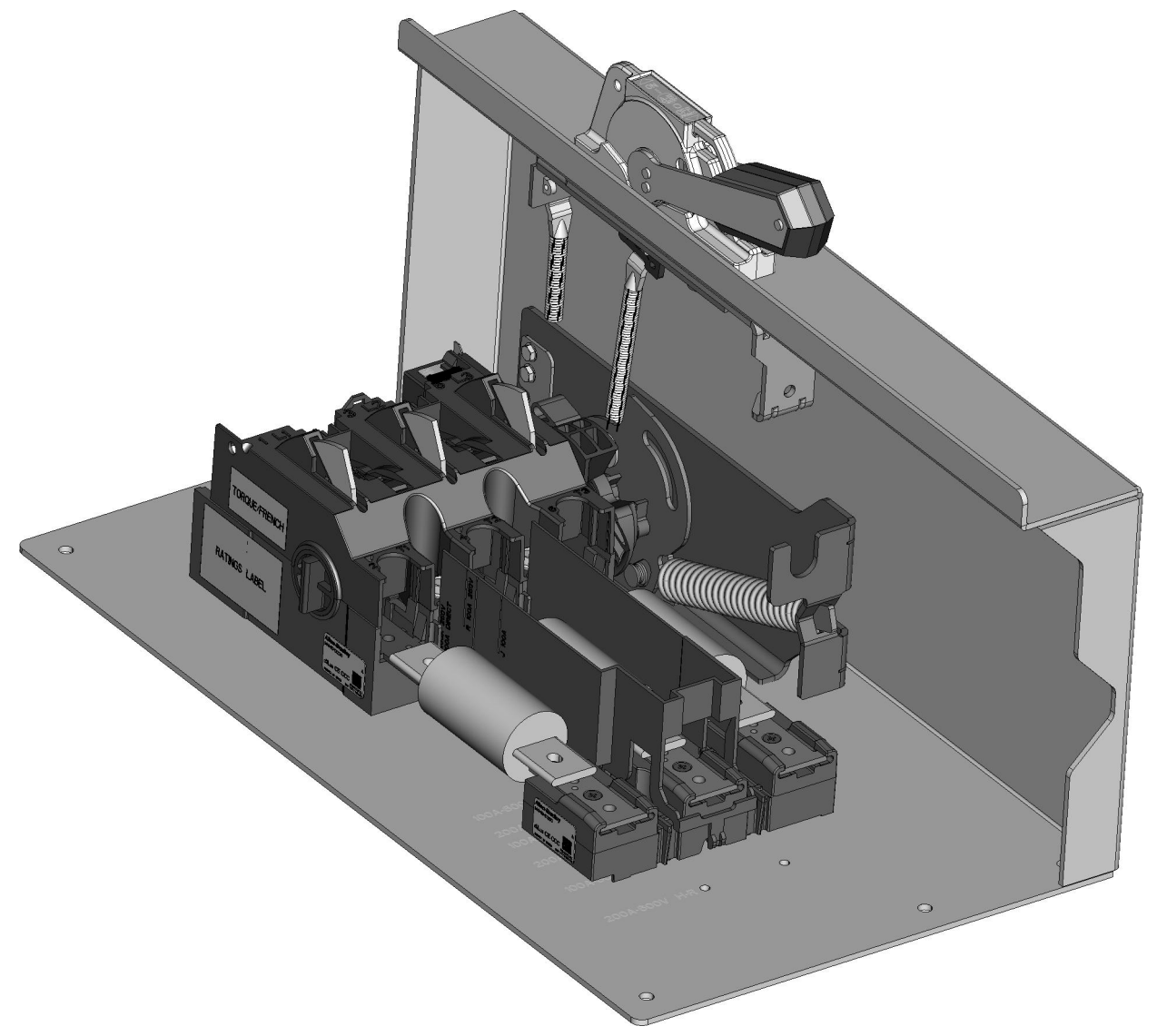
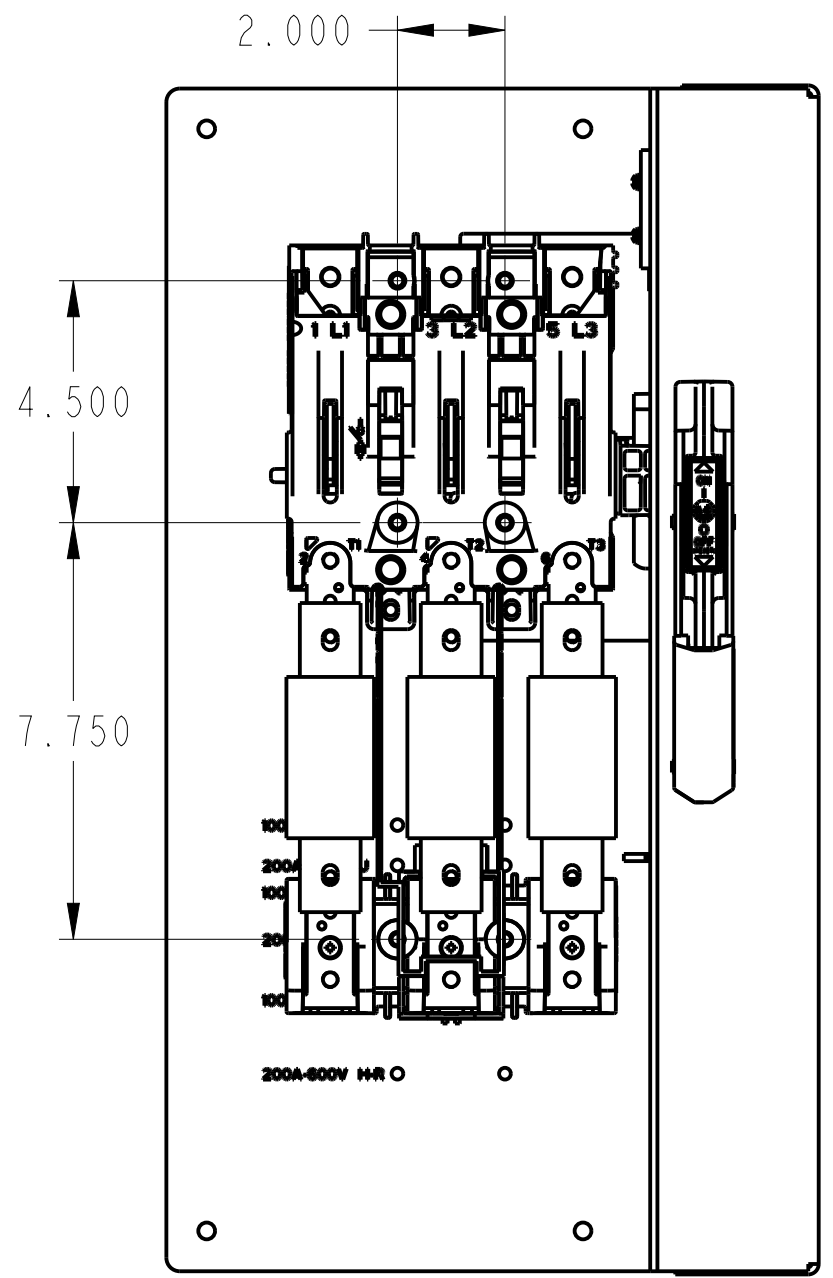
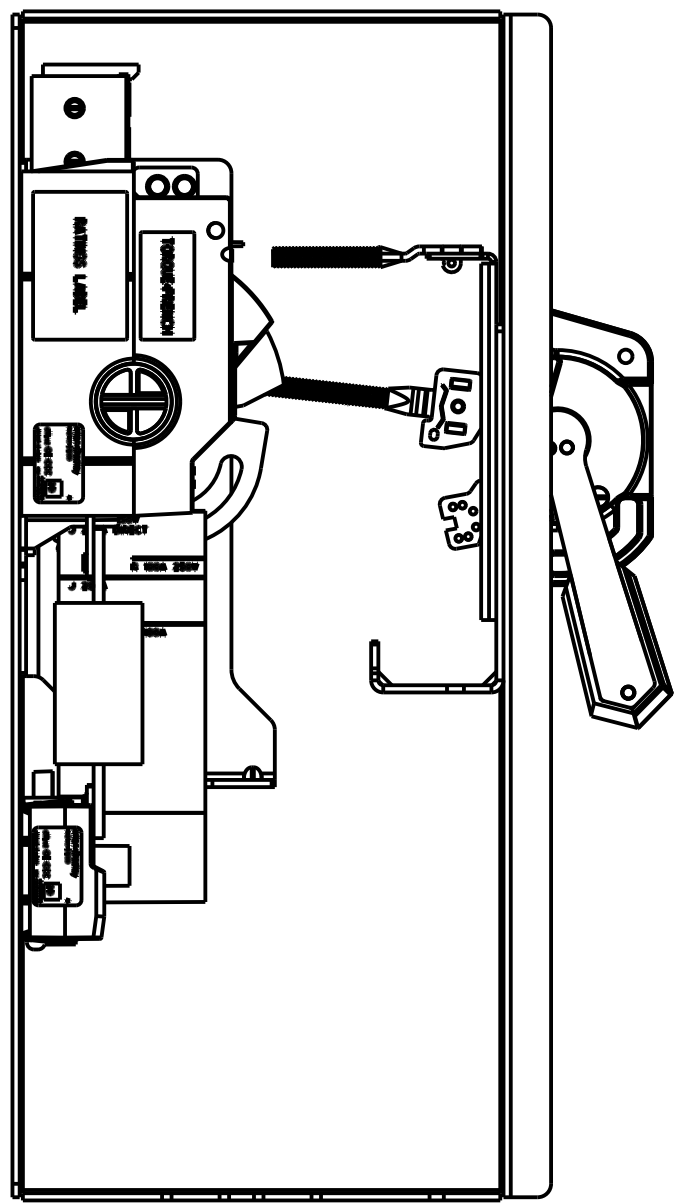
1494U 200A DISC. SW., 200A-600V H-R FUSES

| | |
|-------------|--------------------------|
| | MATERIAL NO. |
| 970-20-01 | ENVIRONMENTAL COMPLIANCE |
| 10002557746 | CAD MODEL |

| | | | |
|-------------|---------------------------------------|--|---------------------------------|
| | | <small>CONFIDENTIAL AND PROPRIETARY INFORMATION. THIS DOCUMENT CONTAINS CONFIDENTIAL AND PROPRIETARY INFORMATION OF ROCKWELL AUTOMATION, INC. AND MAY NOT BE USED, COPIED OR DISCLOSED TO OTHERS, EXCEPT WITH THE AUTHORIZED WRITTEN PERMISSION OF ROCKWELL AUTOMATION, INC.</small> | |
| | | Sheet 1 Of 7 | |
| DESCRIPTION | 1494U FUSED DISCONNECT LAYOUTS | | <small>Size DIR</small> |
| | Drawn by: LEQUENTI | Date: 2018-02-15 | B 10002557747 |
| | | | <small>Ver</small> 00 |

1 2 3 4 5 6 7 8

A
B
C
D
E
F
G
H



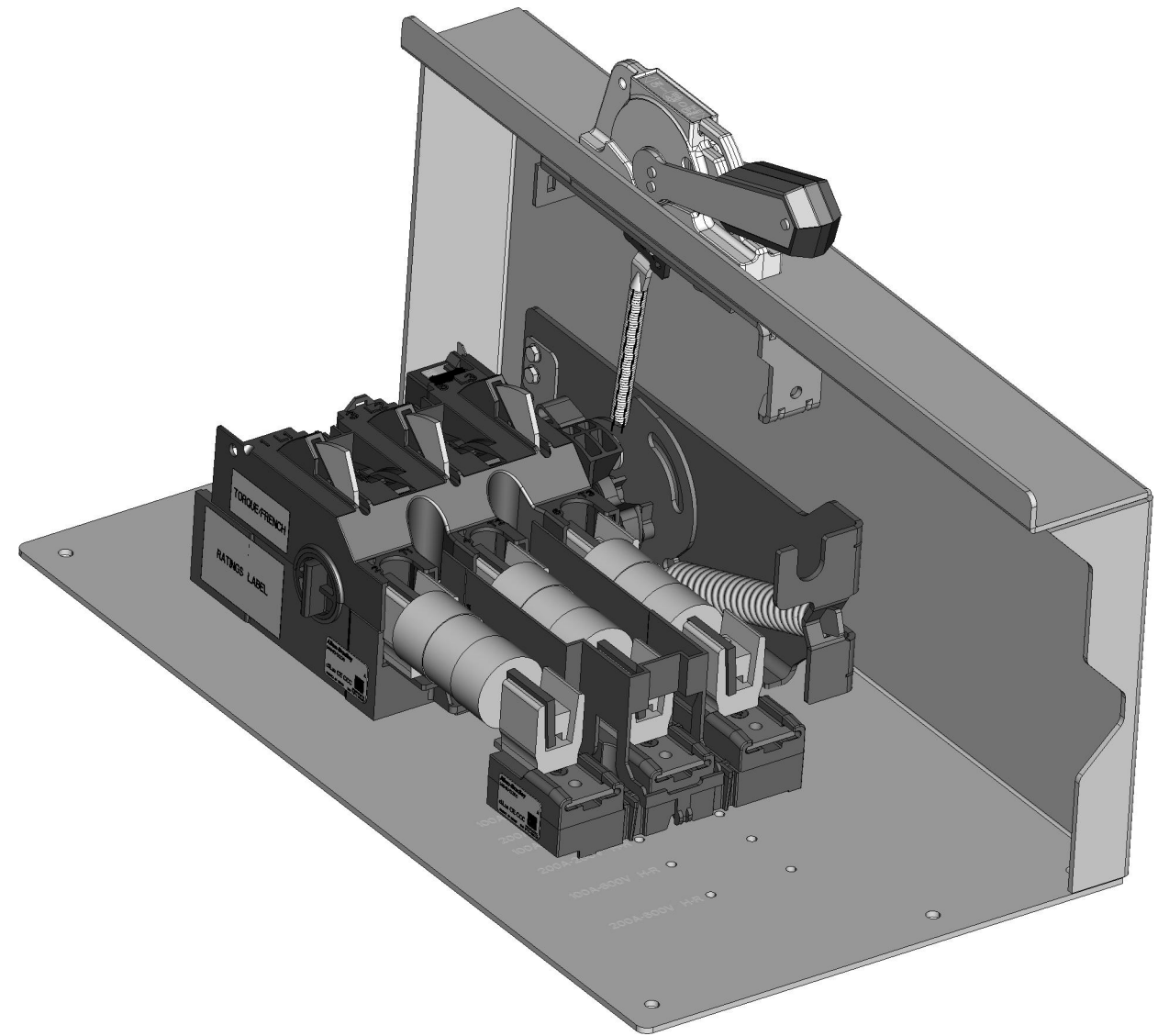
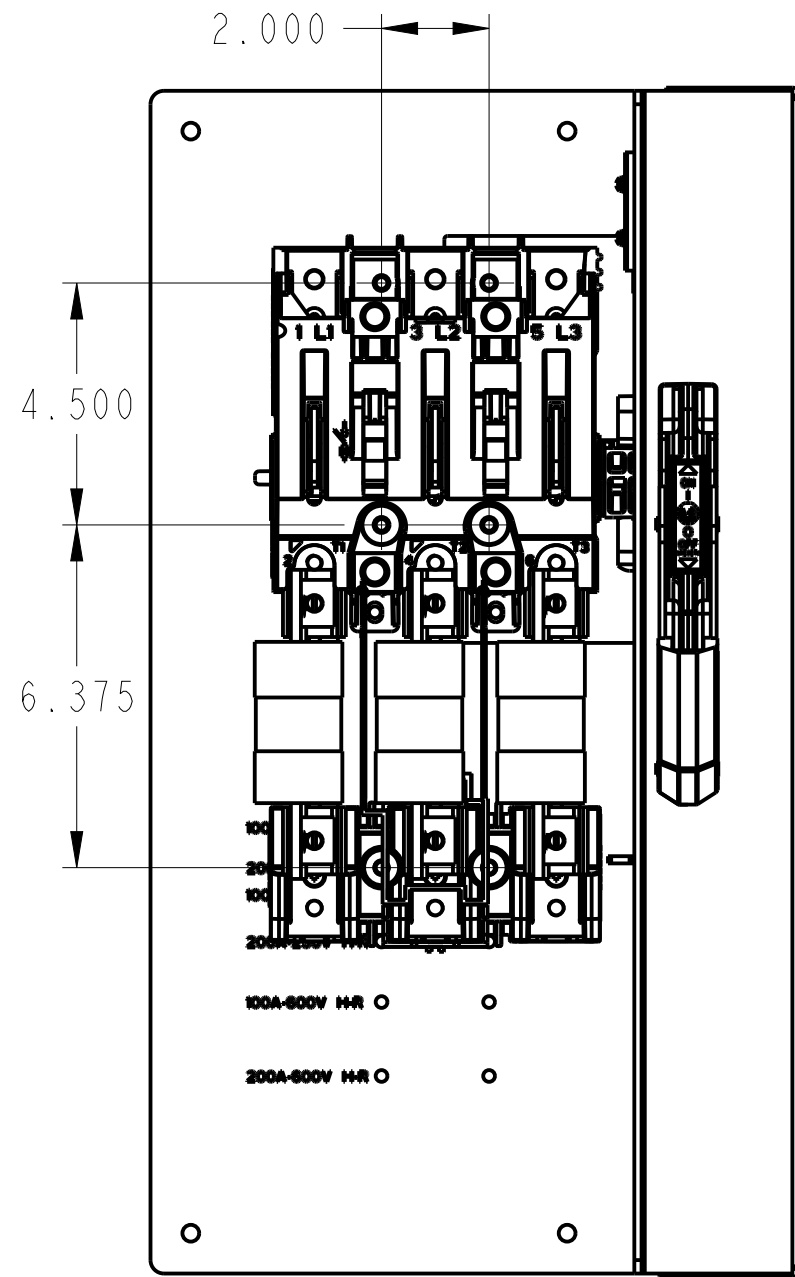
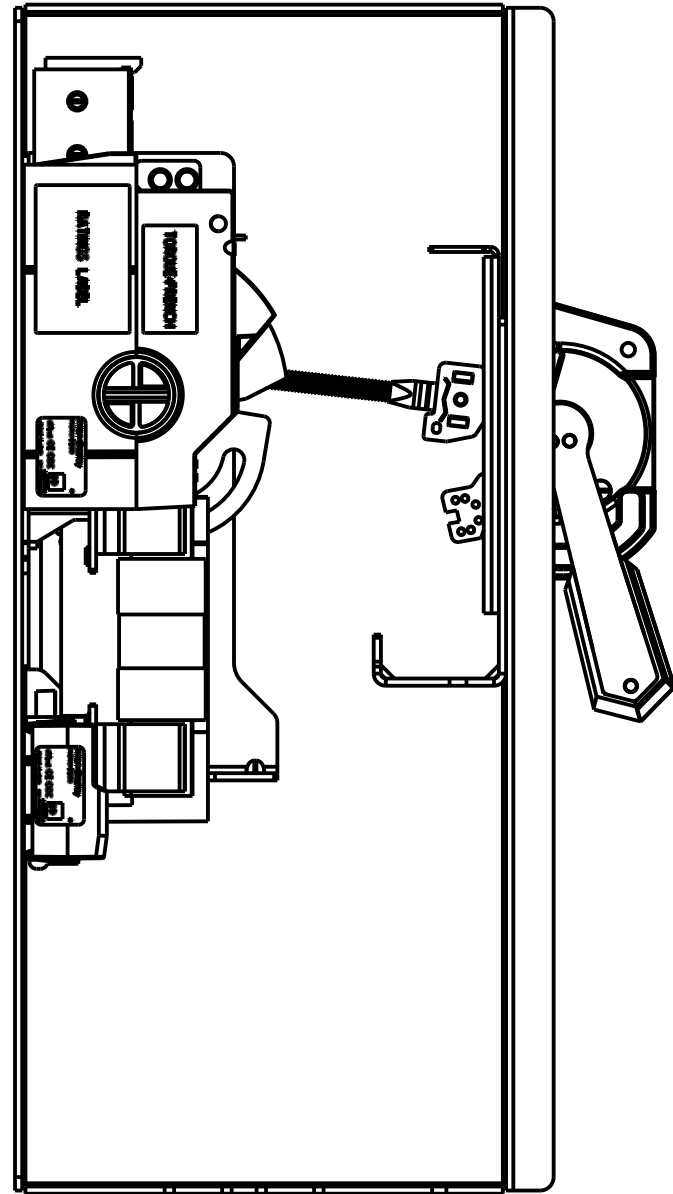
1494U 200A DISC. SW., DIRECT MOUNT 200 AMP J FUSES

| | |
|-------------|--------------------------|
| | MATERIAL NO. |
| 970-20-01 | ENVIRONMENTAL COMPLIANCE |
| 10003766172 | CAD MODEL |

| | | | |
|--------------------------------|--------------------|--|-----|
| Rockwell Automation | | <small>CONFIDENTIAL AND PROPRIETARY INFORMATION. THIS DOCUMENT CONTAINS CONFIDENTIAL AND PROPRIETARY INFORMATION OF ROCKWELL AUTOMATION, INC. AND MAY NOT BE USED, COPIED OR DISCLOSED TO OTHERS, EXCEPT WITH THE AUTHORIZED WRITTEN PERMISSION OF ROCKWELL AUTOMATION, INC.</small> | |
| 1494U FUSED DISCONNECT LAYOUTS | | SHEET 2 OF 7 | |
| DESCRIPTION | DRAWN BY: LEQUENTI | DATE: 2018-02-15 | VER |
| | B | 10002557747 | 00 |

1 2 3 4 5 6 7 8

A
B
C
D
E
F
G
H



1494U 200A DISC. SW., 200A-600V J FUSES

| | |
|-------------|--------------------------|
| | MATERIAL NO. |
| 970-20-01 | ENVIRONMENTAL COMPLIANCE |
| 10003766173 | CAD MODEL |

Rockwell Automation

CONFIDENTIAL AND PROPRIETARY INFORMATION. THIS DOCUMENT CONTAINS CONFIDENTIAL AND PROPRIETARY INFORMATION OF ROCKWELL AUTOMATION, INC. AND MAY NOT BE USED, COPIED OR DISCLOSED TO OTHERS, EXCEPT WITH THE AUTHORIZED WRITTEN PERMISSION OF ROCKWELL AUTOMATION, INC.

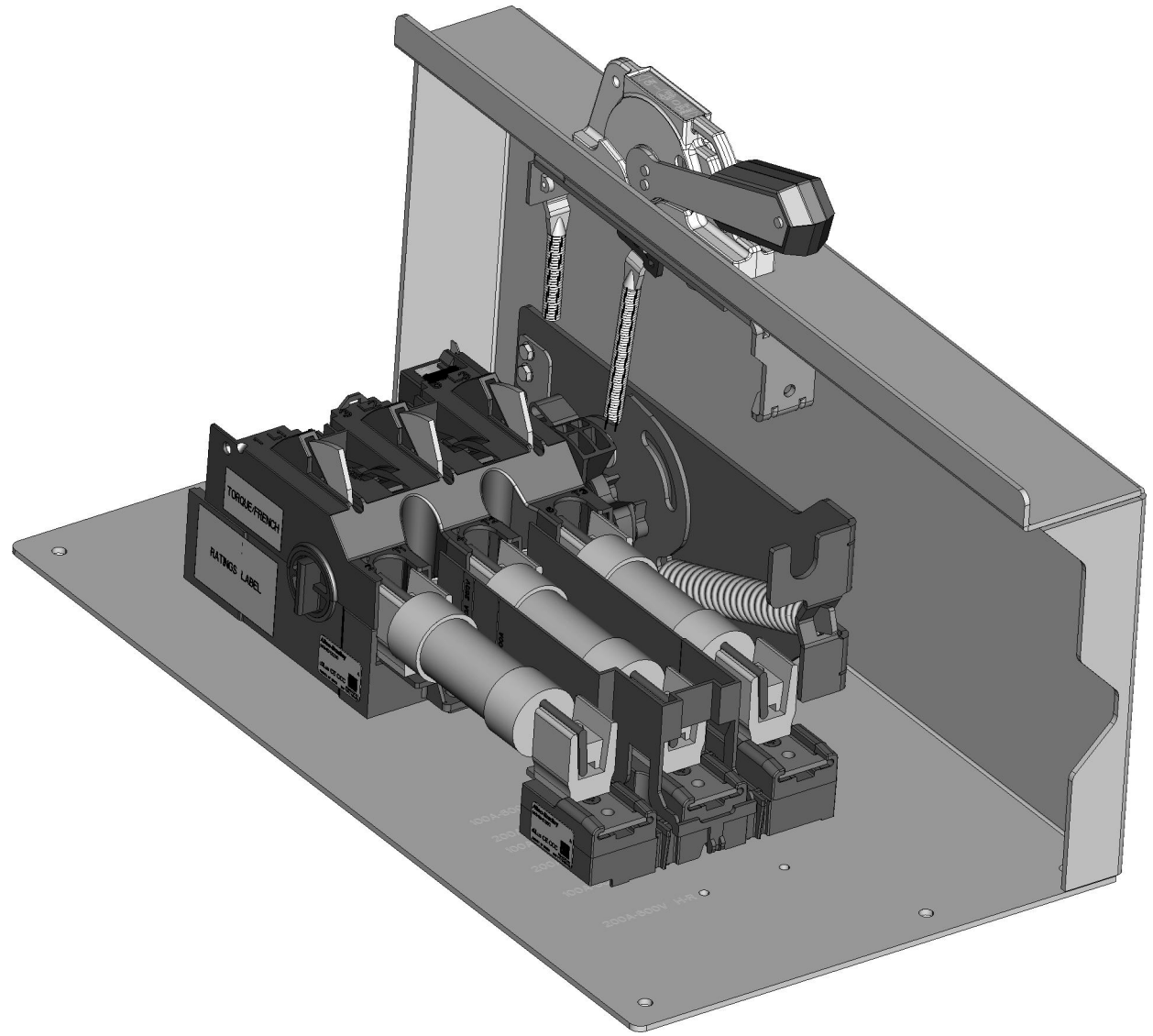
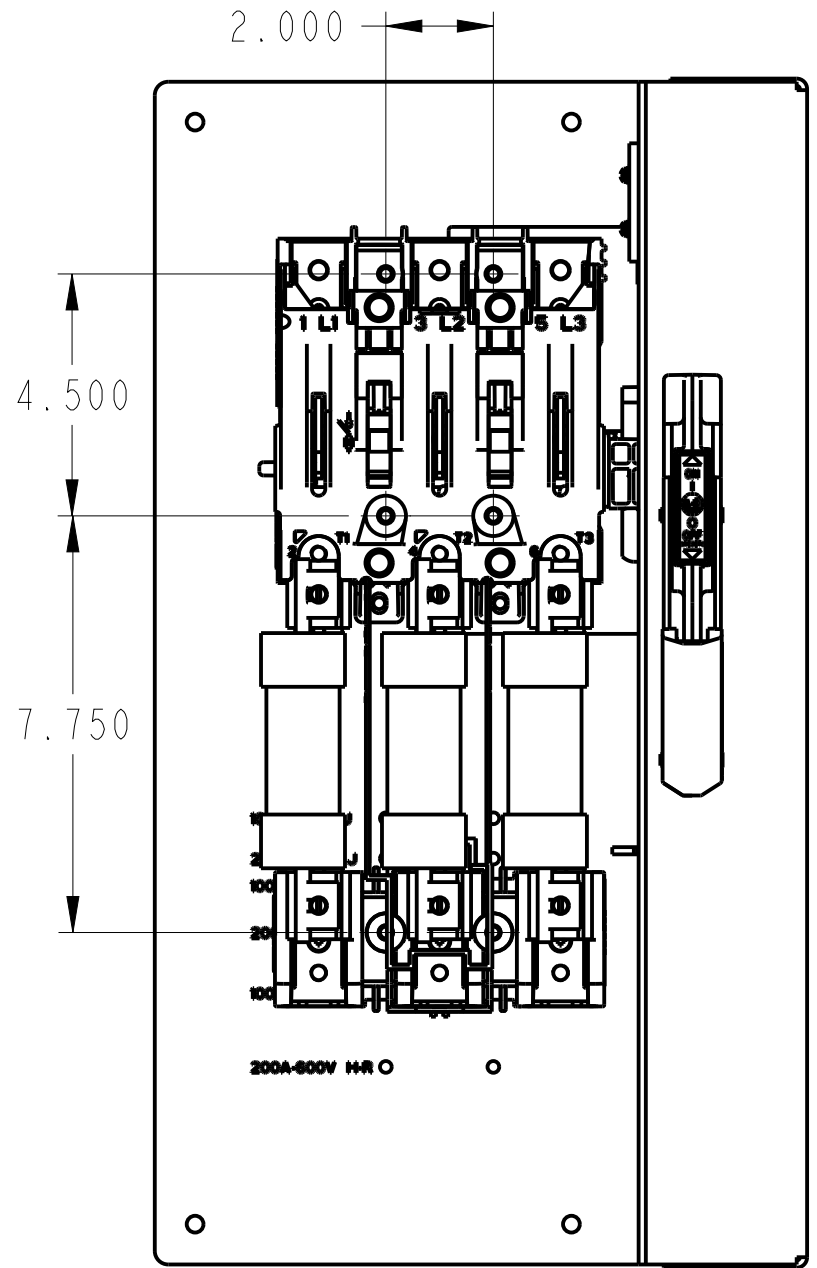
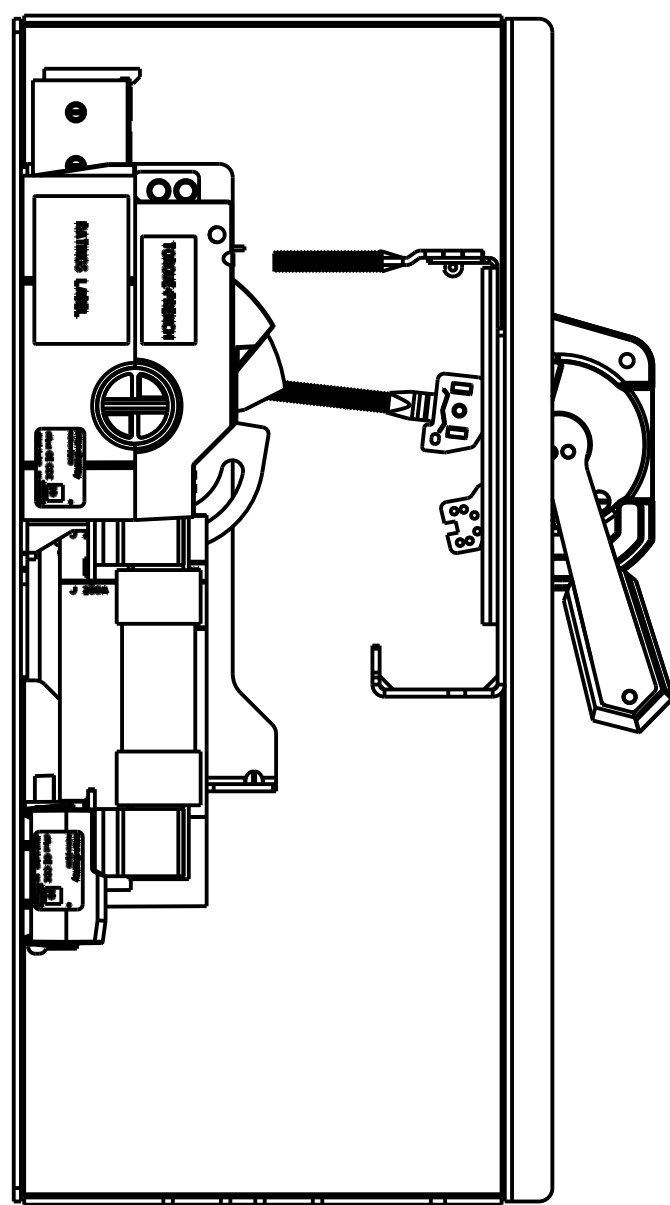
1494U FUSED DISCONNECT LAYOUTS

SHEET 3 OF 7

| | | | |
|--------------------|------|------------------|-----|
| DESCRIPTION | SIZE | DIR | VER |
| | B | 10002557747 | 00 |
| DRAWN BY: LEQUENTI | | DATE: 2018-02-15 | |

1 2 3 4 5 6 7 8

A
B
C
D
E
F
G
H



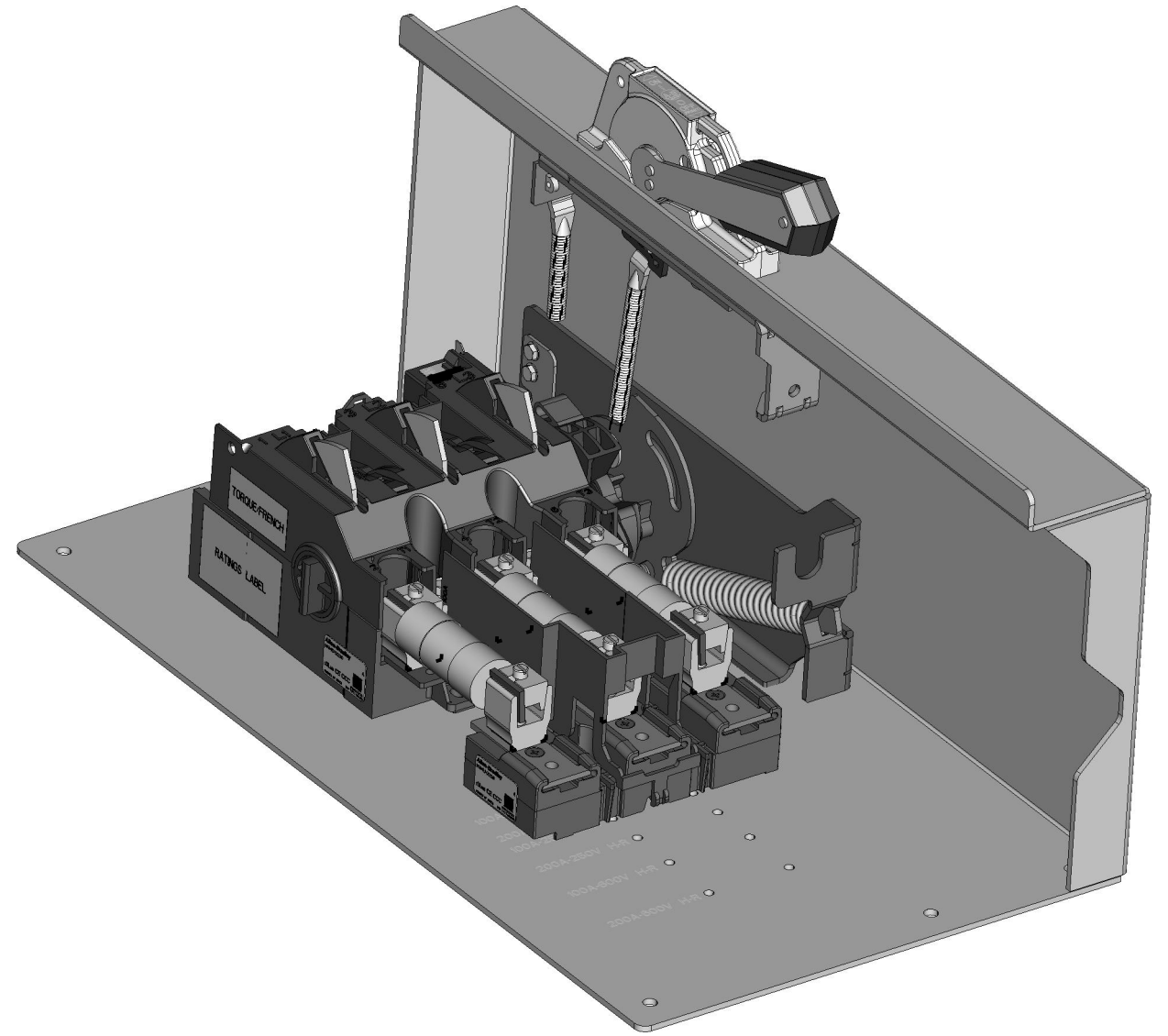
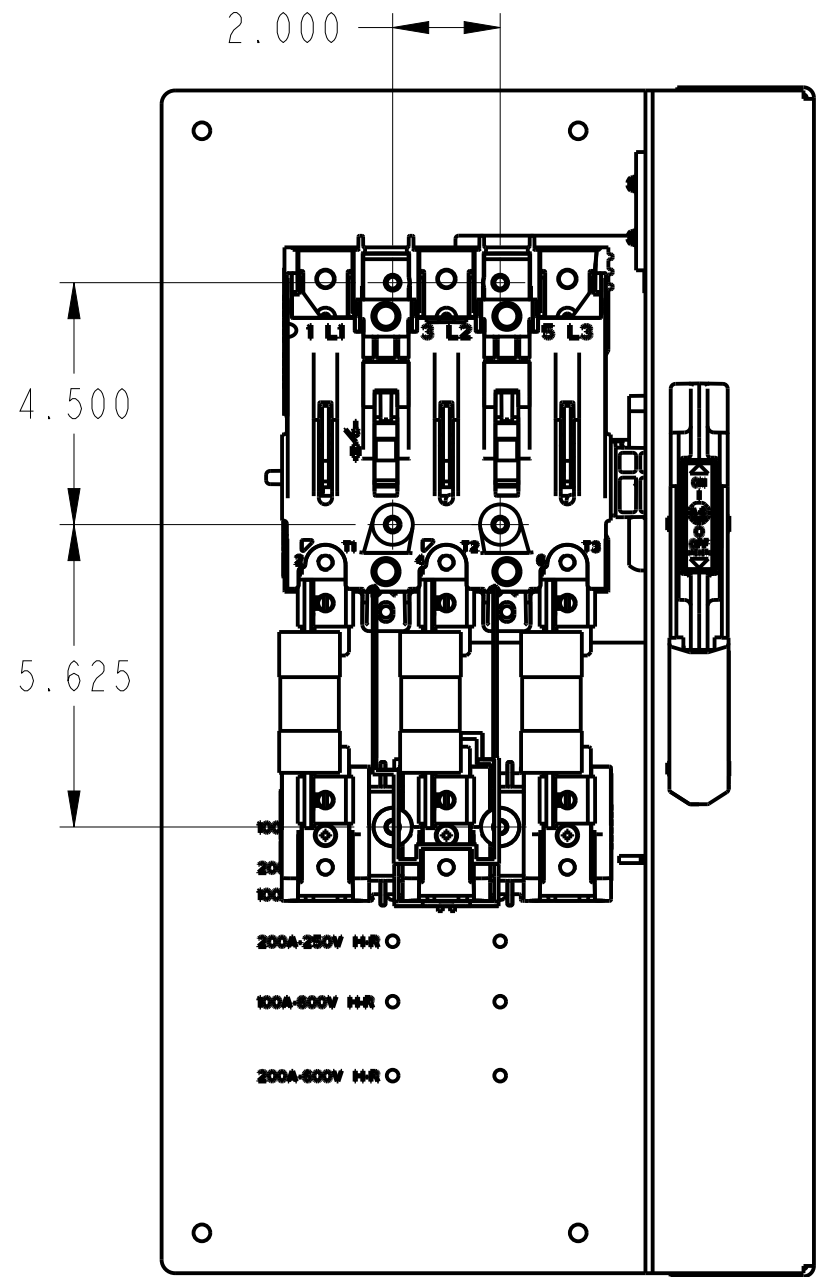
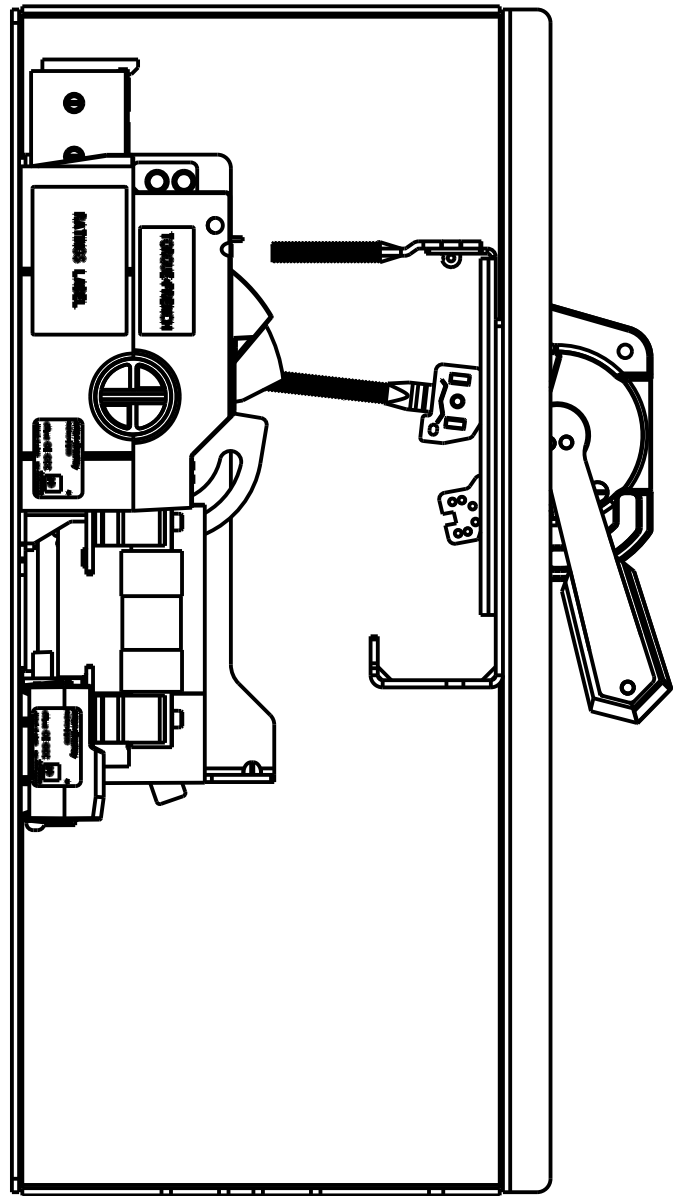
1494U 200A DISC. SW., 200A-250V H-R FUSES

| | |
|-------------|--------------------------|
| | MATERIAL NO. |
| 970-20-01 | ENVIRONMENTAL COMPLIANCE |
| 10003766174 | CAD MODEL |

| | | | |
|--------------------------------|--------------------|--|-----|
| Rockwell Automation | | <small>CONFIDENTIAL AND PROPRIETARY INFORMATION. THIS DOCUMENT CONTAINS CONFIDENTIAL AND PROPRIETARY INFORMATION OF ROCKWELL AUTOMATION, INC. AND MAY NOT BE USED, COPIED OR DISCLOSED TO OTHERS, EXCEPT WITH THE AUTHORIZED WRITTEN PERMISSION OF ROCKWELL AUTOMATION, INC.</small> | |
| 1494U FUSED DISCONNECT LAYOUTS | | SHEET 4 OF 7 | |
| DESCRIPTION | DRAWN BY: LEQUENTI | DATE: 2018-02-15 | VER |
| | B | 10002557747 | 00 |

1 2 3 4 5 6 7 8

A
B
C
D
E
F
G
H



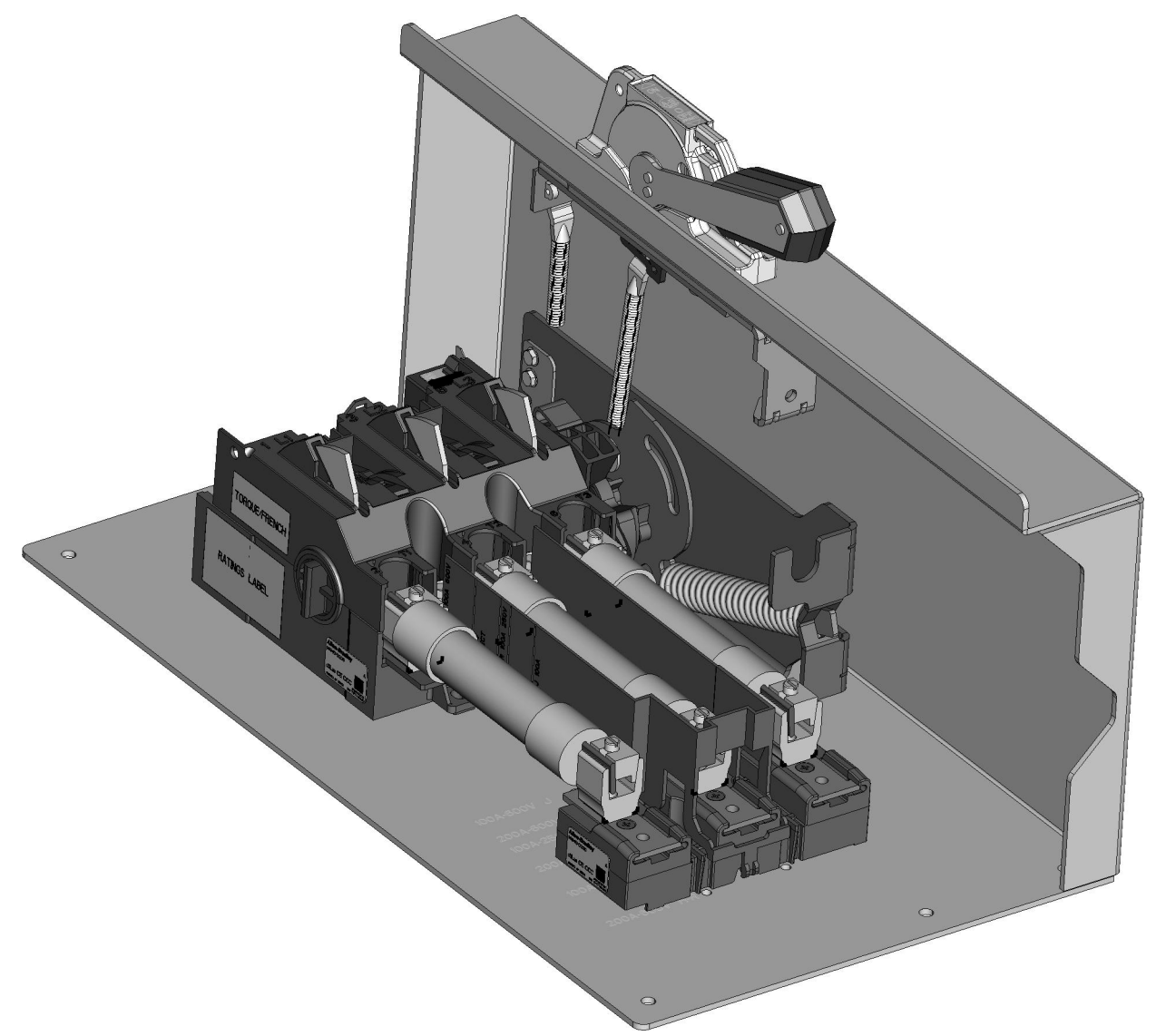
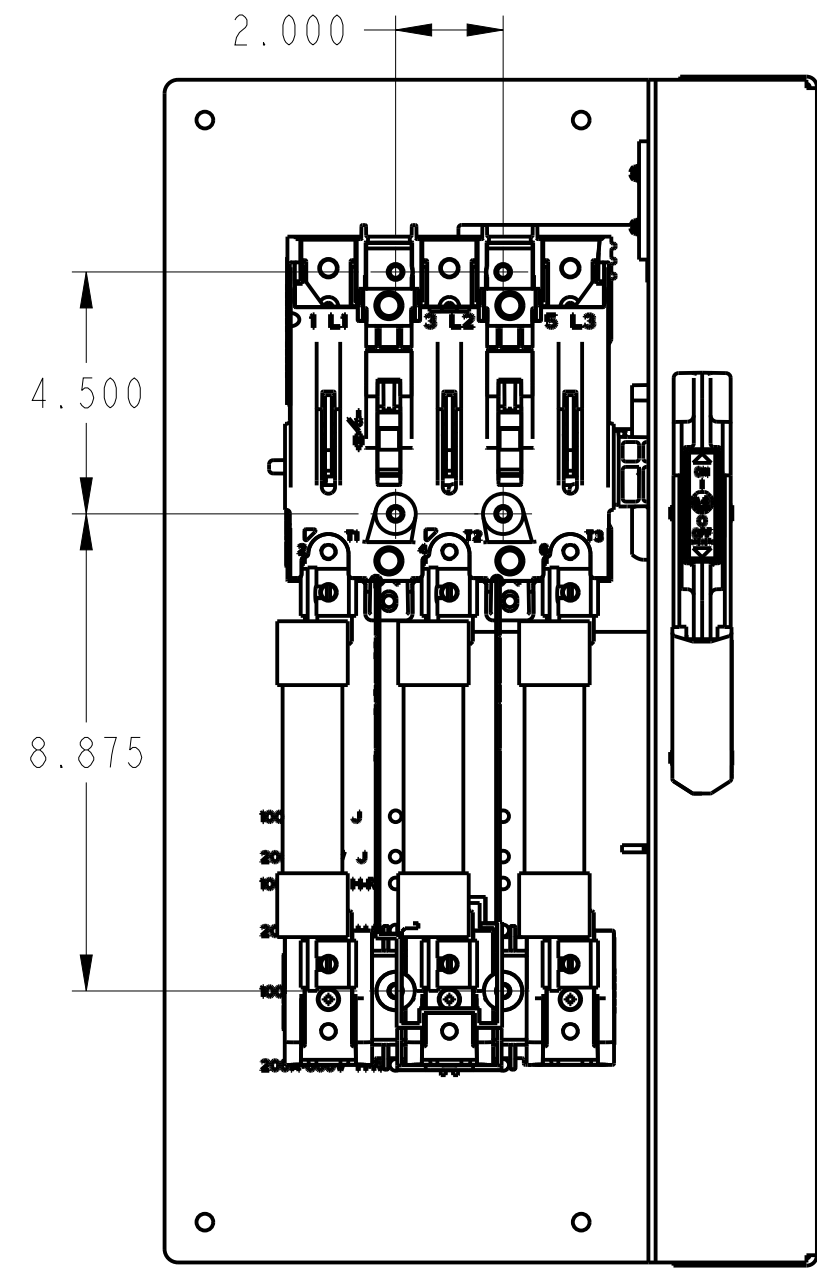
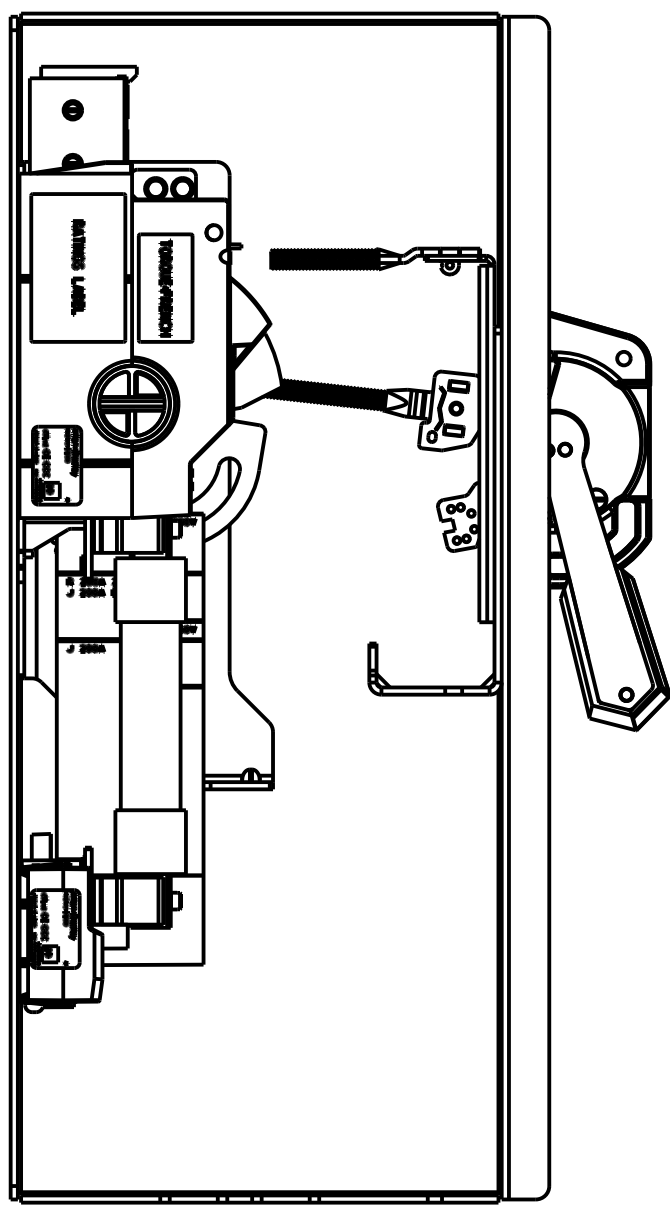
1494U 200A DISC. SW., 100A-600V J FUSES

| | |
|-------------|--------------------------|
| | MATERIAL NO. |
| 970-20-01 | ENVIRONMENTAL COMPLIANCE |
| 10003766175 | CAD MODEL |

| | | | | | | | | | |
|--------------------------------|--------------------|--|--|------|-----|-----|----------|--------------------|-----------|
| Rockwell Automation | | <small>CONFIDENTIAL AND PROPRIETARY INFORMATION. THIS DOCUMENT CONTAINS CONFIDENTIAL AND PROPRIETARY INFORMATION OF ROCKWELL AUTOMATION, INC. AND MAY NOT BE USED, COPIED OR DISCLOSED TO OTHERS, EXCEPT WITH THE AUTHORIZED WRITTEN PERMISSION OF ROCKWELL AUTOMATION, INC.</small> | | | | | | | |
| 1494U FUSED DISCONNECT LAYOUTS | | SHEET 5 OF 7 | | | | | | | |
| DESCRIPTION | DRAWN BY: LEQUENTI | DATE: 2018-02-15 | <table border="1"> <tr> <td>SIZE</td> <td>DIR</td> <td>VER</td> </tr> <tr> <td>B</td> <td>10002557747</td> <td>00</td> </tr> </table> | SIZE | DIR | VER | B | 10002557747 | 00 |
| SIZE | DIR | VER | | | | | | | |
| B | 10002557747 | 00 | | | | | | | |

1 2 3 4 5 6 7 8

A
B
C
D
E
F
G
H



1494U 200A DISC. SW., 100A-600V H-R FUSES

| | |
|-------------|--------------------------|
| | MATERIAL NO. |
| 970-20-01 | ENVIRONMENTAL COMPLIANCE |
| 10003766176 | CAD MODEL |

Rockwell Automation

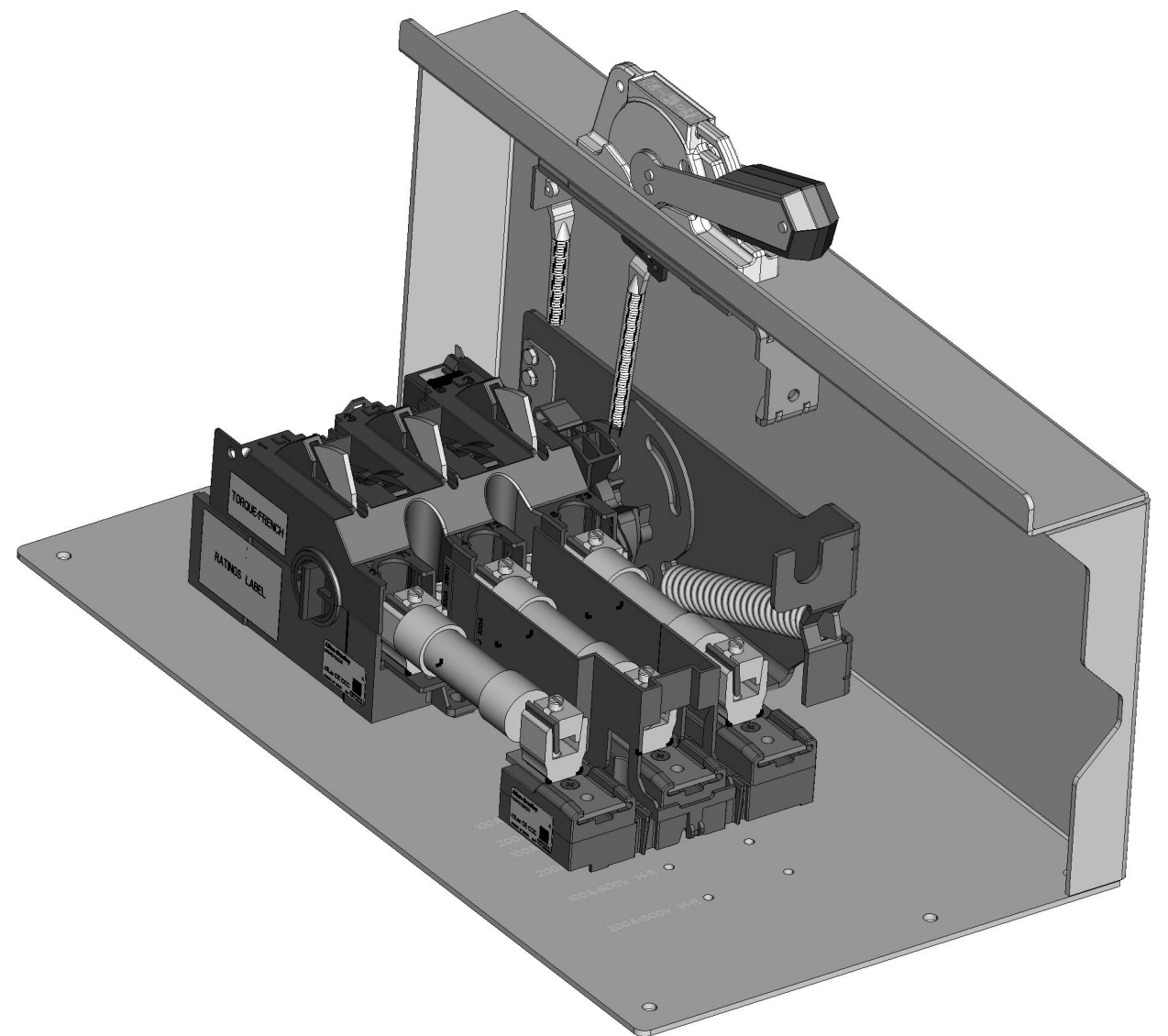
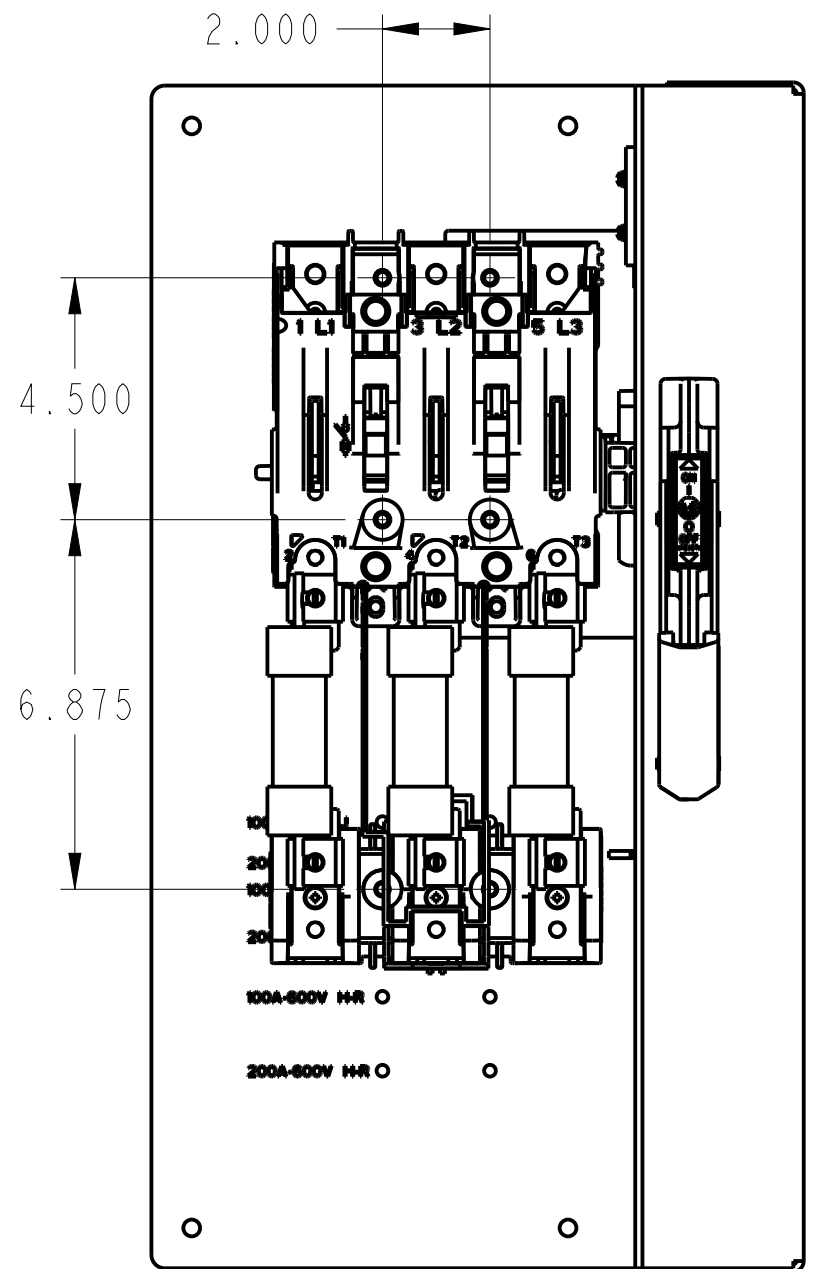
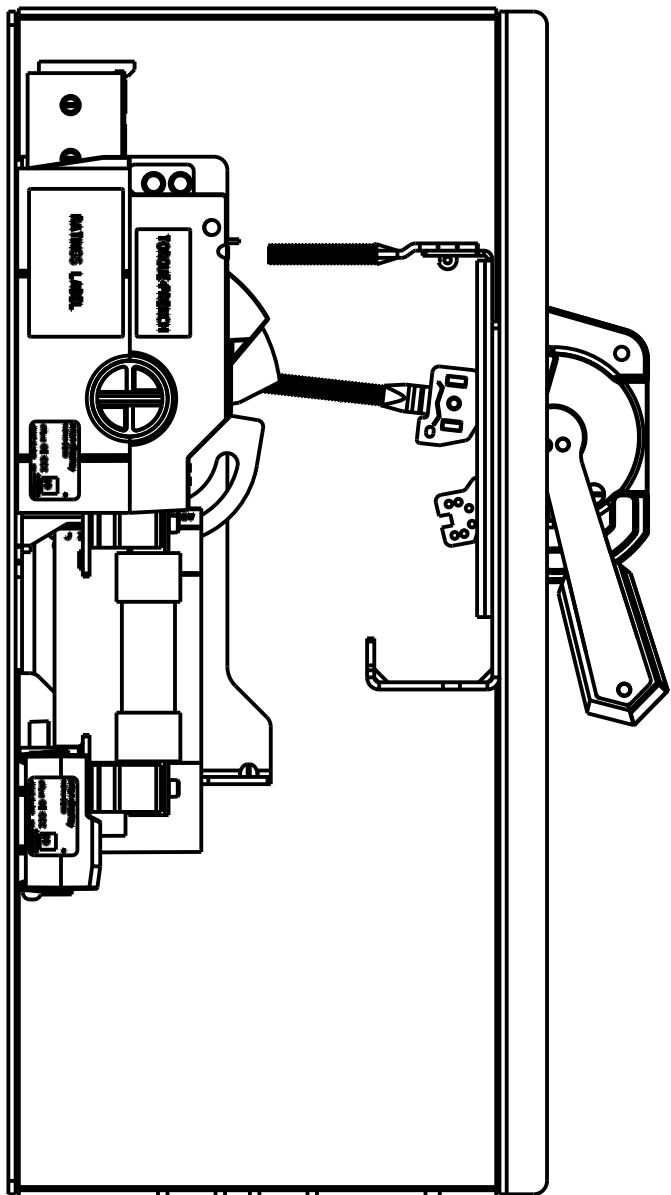
CONFIDENTIAL AND PROPRIETARY INFORMATION. THIS DOCUMENT CONTAINS CONFIDENTIAL AND PROPRIETARY INFORMATION OF ROCKWELL AUTOMATION, INC. AND MAY NOT BE USED, COPIED OR DISCLOSED TO OTHERS, EXCEPT WITH THE AUTHORIZED WRITTEN PERMISSION OF ROCKWELL AUTOMATION, INC.

| | | | | |
|-------------|--------------------------------|-------------|--------------|--|
| DESCRIPTION | 1494U FUSED DISCONNECT LAYOUTS | | SHEET 6 OF 7 | |
| | SIZE | DIR | VER | |
| | B | 10002557747 | 00 | |

DRAWN BY: LEQUENTI DATE: 2018-02-15

1 2 3 4 5 6 7 8

A
B
C
D
E
F
G
H



1494U 200A DISC. SW., 100A-250V H-R FUSES

| | |
|-------------|--------------------------|
| | MATERIAL NO. |
| 970-20-01 | ENVIRONMENTAL COMPLIANCE |
| 10003766177 | CAD MODEL |

| | | | |
|--------------------|--------------------------------|---|----------------|
| | | CONFIDENTIAL AND PROPRIETARY INFORMATION. THIS DOCUMENT CONTAINS CONFIDENTIAL AND PROPRIETARY INFORMATION OF ROCKWELL AUTOMATION, INC. AND MAY NOT BE USED, COPIED OR DISCLOSED TO OTHERS, EXCEPT WITH THE AUTHORIZED WRITTEN PERMISSION OF ROCKWELL AUTOMATION, INC. | |
| | | SHEET 7 OF 7 | |
| DESCRIPTION | 1494U FUSED DISCONNECT LAYOUTS | | VER |
| | SIZE | DIR | VER |
| DRAWN BY: LEQUENTI | DATE: 2018-02-15 | B | 10002557747 00 |