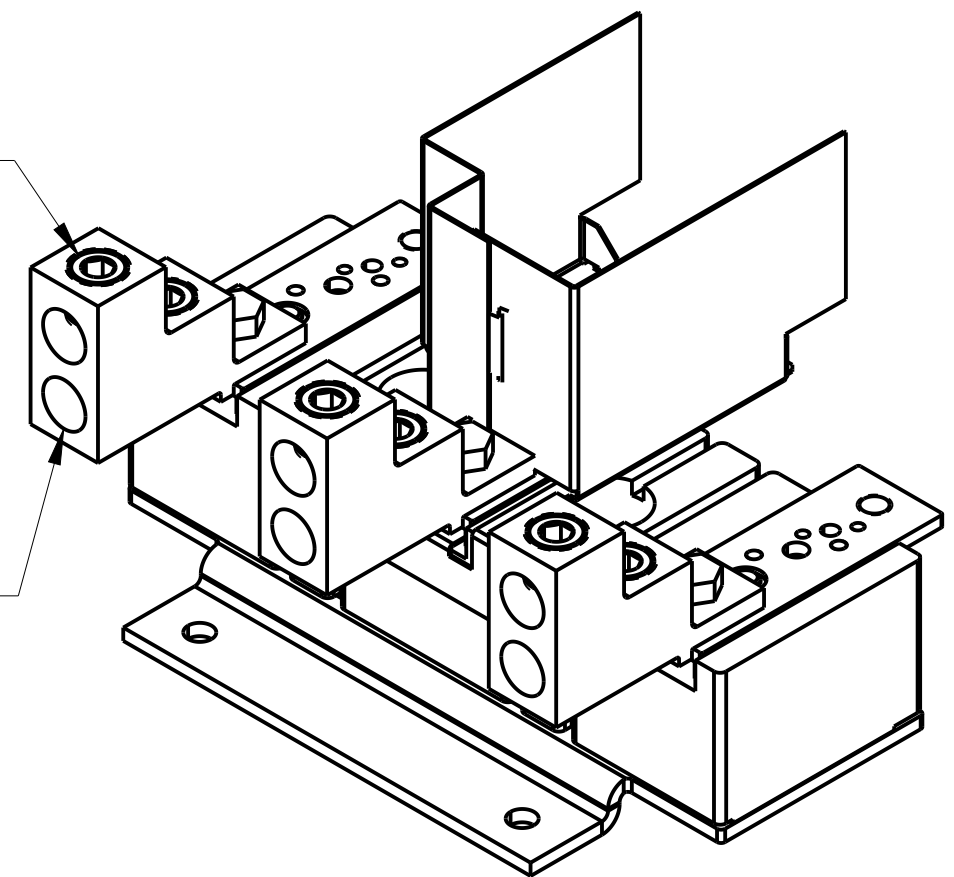


TORQUE WIRE CONNECTOR SCREWS TO 275-300 LB-IN

Ø0.34  
2 MTG. HOLES

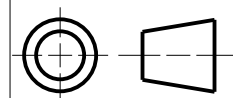
USE COPPER OR ALUMINUM WIRE  
#1/0 - 250 MCM STRANDED  
WITH ALUMINUM LUGS  
USE COPPER WIRE ONLY WITH  
COPPER LUGS



MUST COMPLY WITH ROCKWELL AUTOMATION ENVIRONMENTAL SPECIFICATION 970-20-01

ALL UNDIMENSIONED GEOMETRIES ARE CONTROLLED BY THE CAD MODEL. IN CASE OF DIMENSION DISCREPANCY, CAD MODEL OVERRIDES.

THIRD ANGLE PROJECTION



DESCRIPTION

**Rockwell Automation**

**DIMENSION DRAWING FOR 400 AMP 1494U FUSE BLOCK**

CREATED BY: LEQUENTIN

CHANGED BY:\*\*\*\*\*

CONFIDENTIAL AND PROPRIETARY INFORMATION. THIS DOCUMENT CONTAINS CONFIDENTIAL AND PROPRIETARY INFORMATION OF ROCKWELL AUTOMATION, INC. AND MAY NOT BE USED, COPIED OR DISCLOSED TO OTHERS, EXCEPT WITH THE AUTHORIZED WRITTEN PERMISSION OF ROCKWELL AUTOMATION, INC.

DATE: 2019-01-31

SHEET 1 OF 1

SIZE DIR

VER

**B**

**10003957967**

**00**