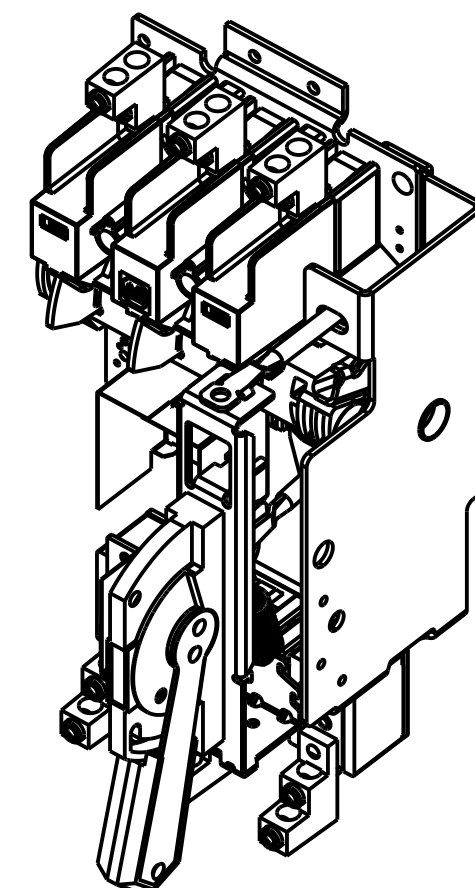
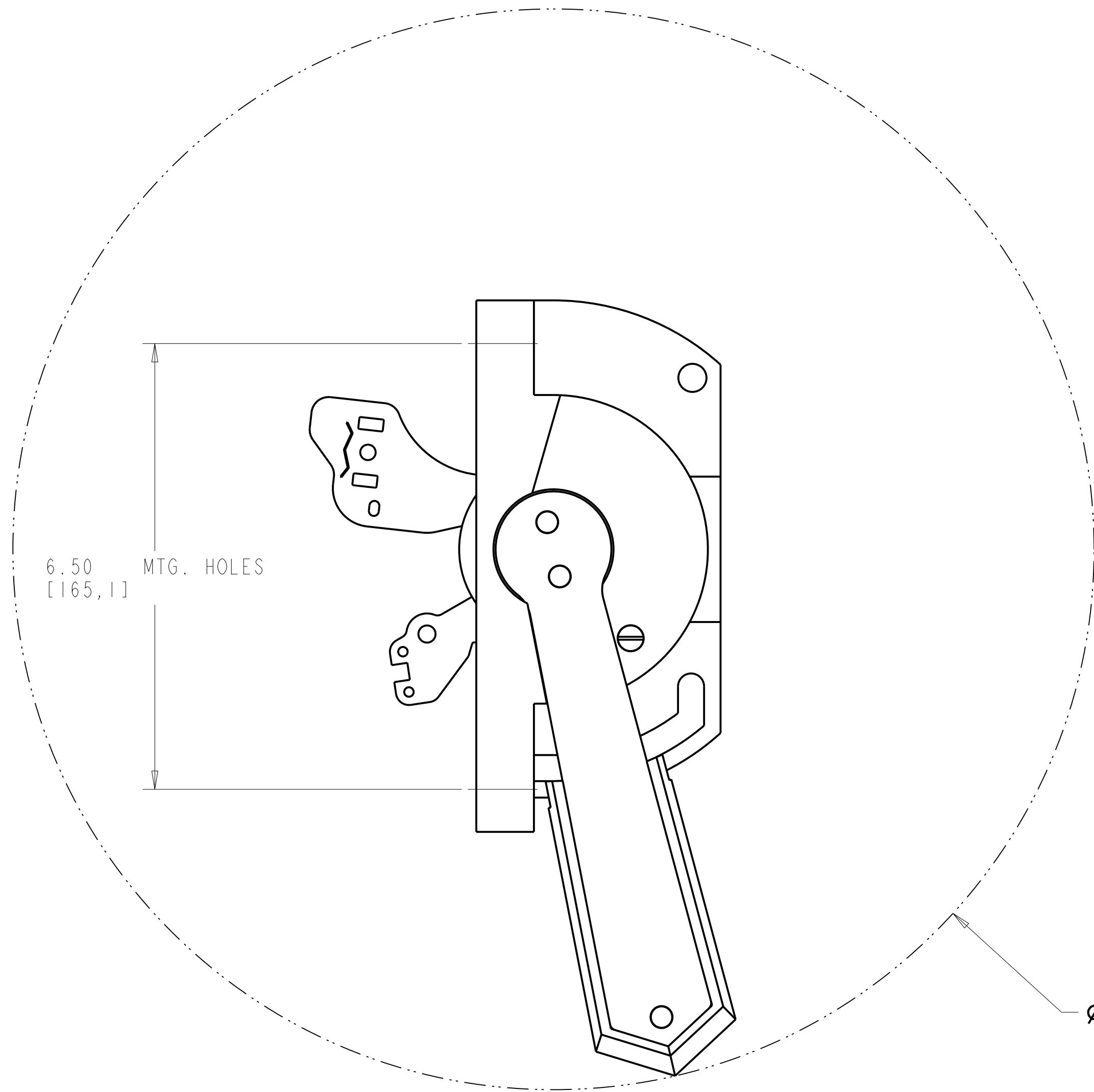


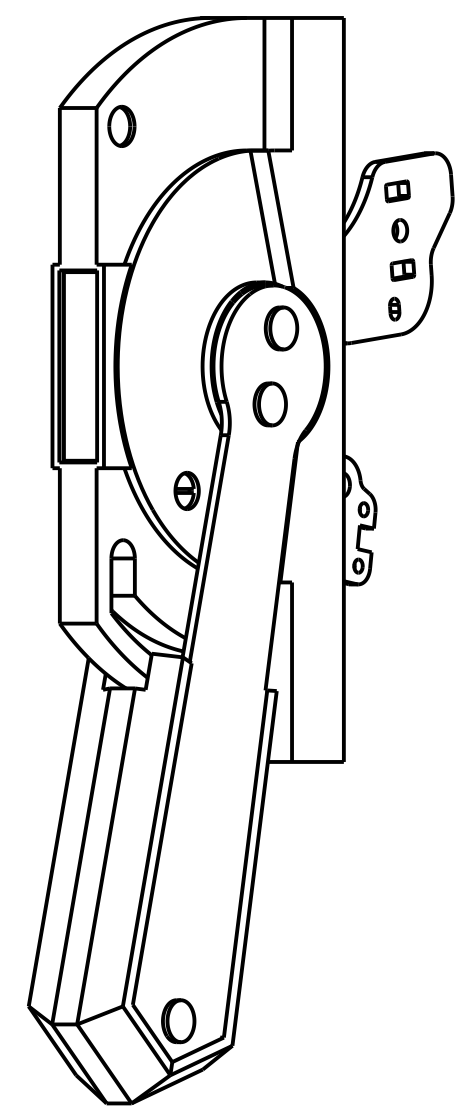
Approximate dimensions are shown in inches [millimeters].  
 Dimensions are not intended to be used for manufacturing purposes.





6.50  
[165, 1] MTG. HOLES

Ø 15.76  
[400, 3]



Approximate dimensions are shown in inches [millimeters].  
Dimensions are not intended to be used for manufacturing purposes.