

1 2 3 4 5 6 7 8

A

B

C

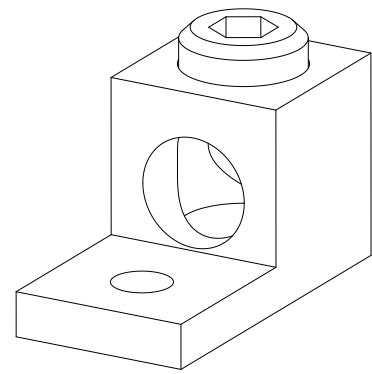
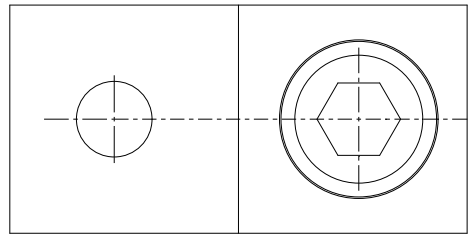
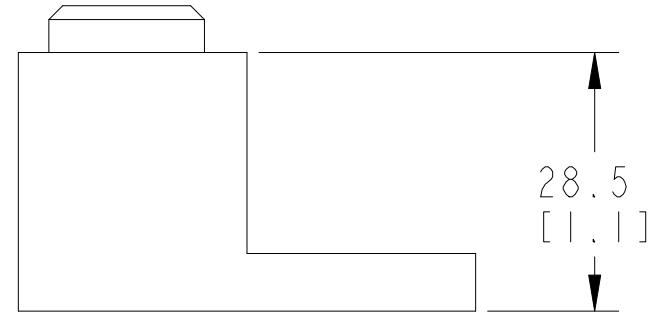
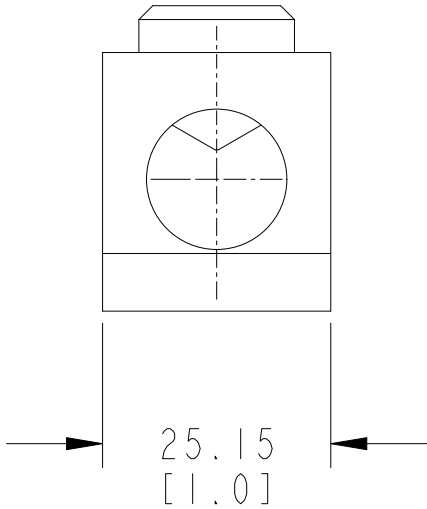
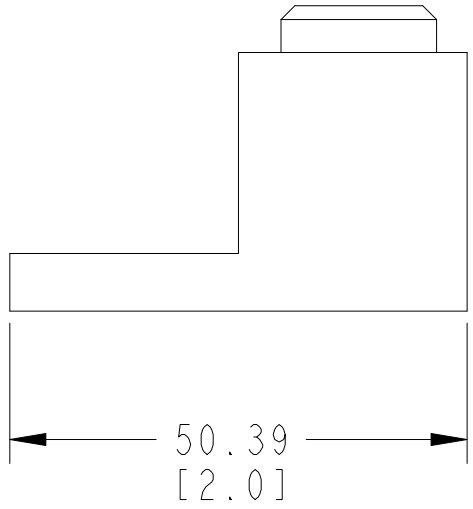
D

E

F

G

H



DIMENSIONS IN MILLIMETERS [INCHES].  
 DIMENSIONS ARE NOT INTENDED TO BE USED IN MANUFACTURING PURPOSES.



DESCRIPTION	<b>1494U-LA200</b>		DATE: 2023-07-26	SHEET 1 OF 1
	CREATED BY: M. GONCZARENKO	CHANGED BY: -	SIZE: <b>A4</b>	DIR: <b>10003456951</b>
			VER: <b>00</b>	

Conductor:  
 (1) Cu or Al wire - 6...250 MCM

1 2 3 4 5 6 7 8