

1 2 3 4 5 6 7 8

A

B

C

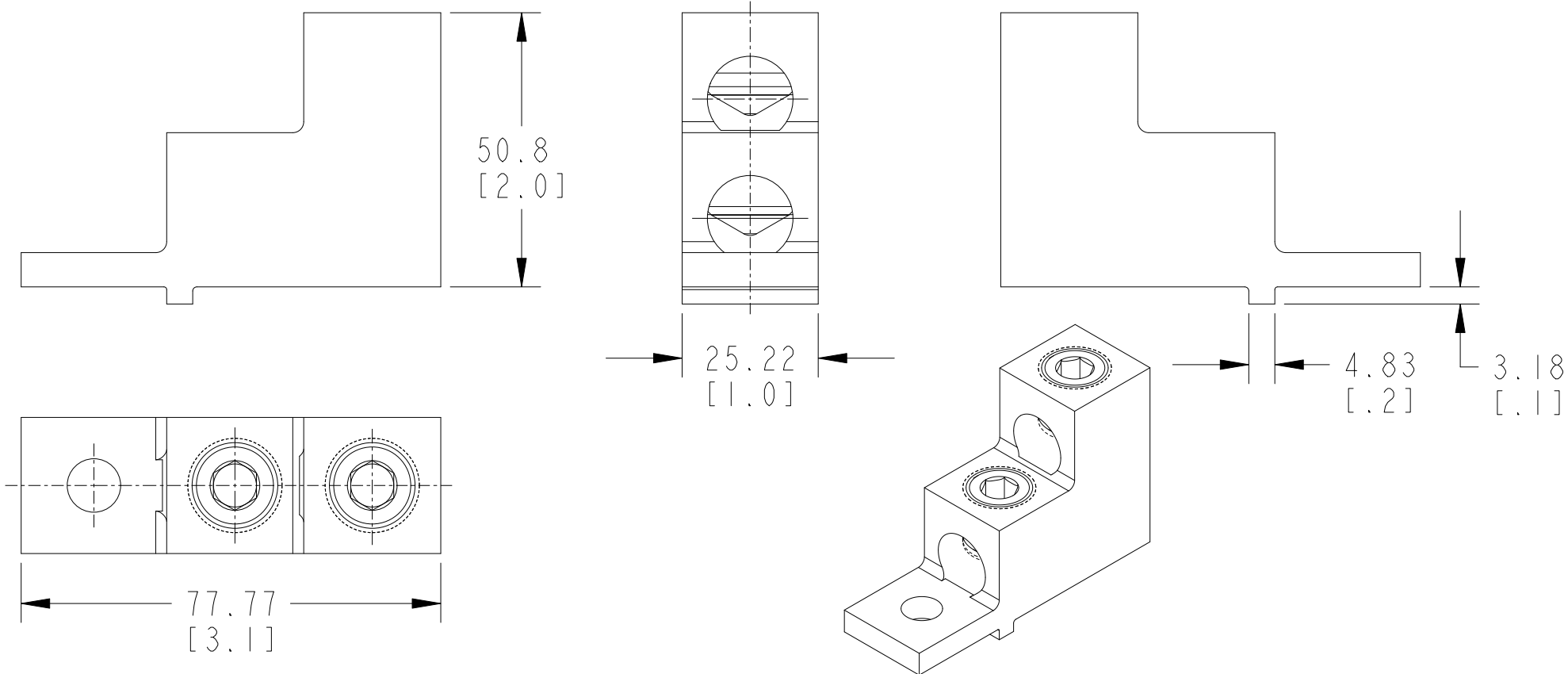
D

E

F

G

H



DIMENSIONS IN MILLIMETERS [INCHES].  
DIMENSIONS ARE NOT INTENDED TO BE USED IN MANUFACTURING PURPOSES.



DESCRIPTION	1494U-LA400		DATE: 2023-07-26	SHEET 1 OF 1
	CREATED BY: M. GONCZARENKO	CHANGED BY: -	SIZE: A4	DIR: 10003456951
Conductor(s): (2) Cu or Al wire - 1/0...300 MCM			VER: 00	

1 2 3 4 5 6 7 8