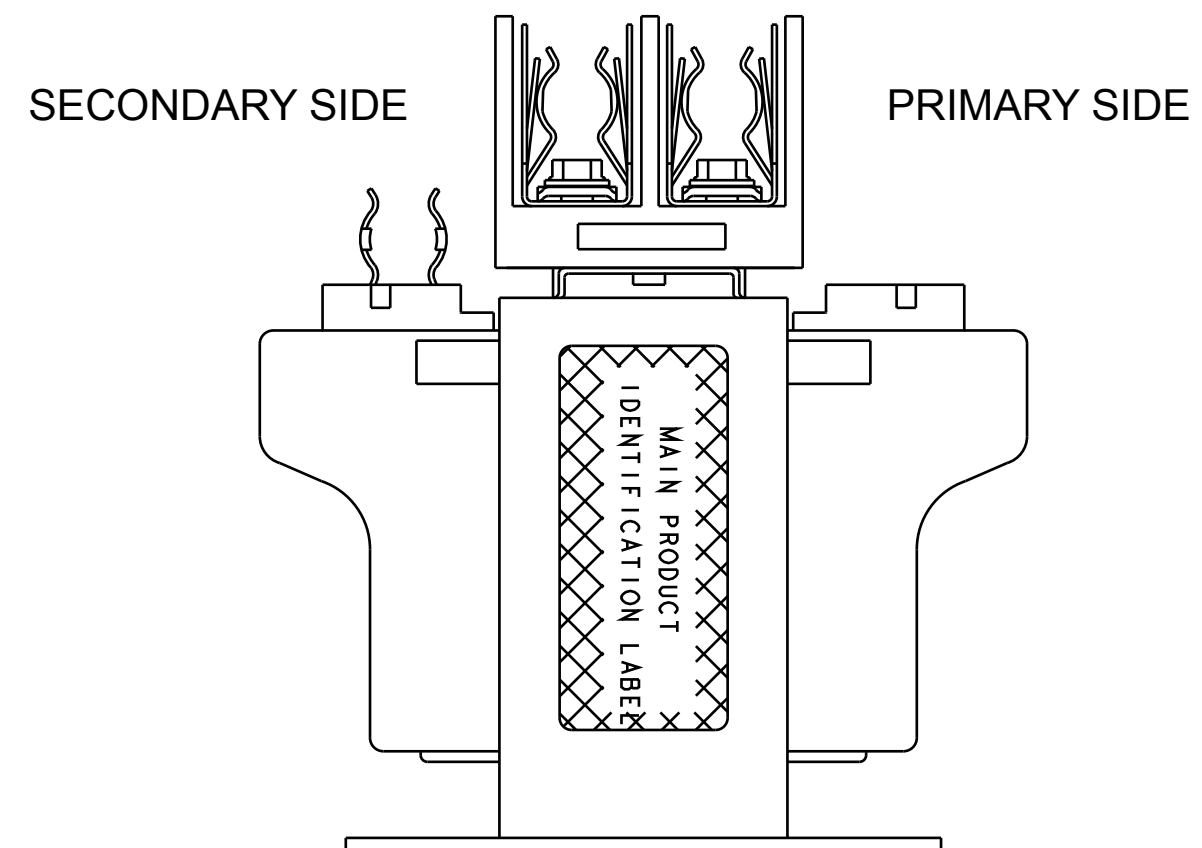
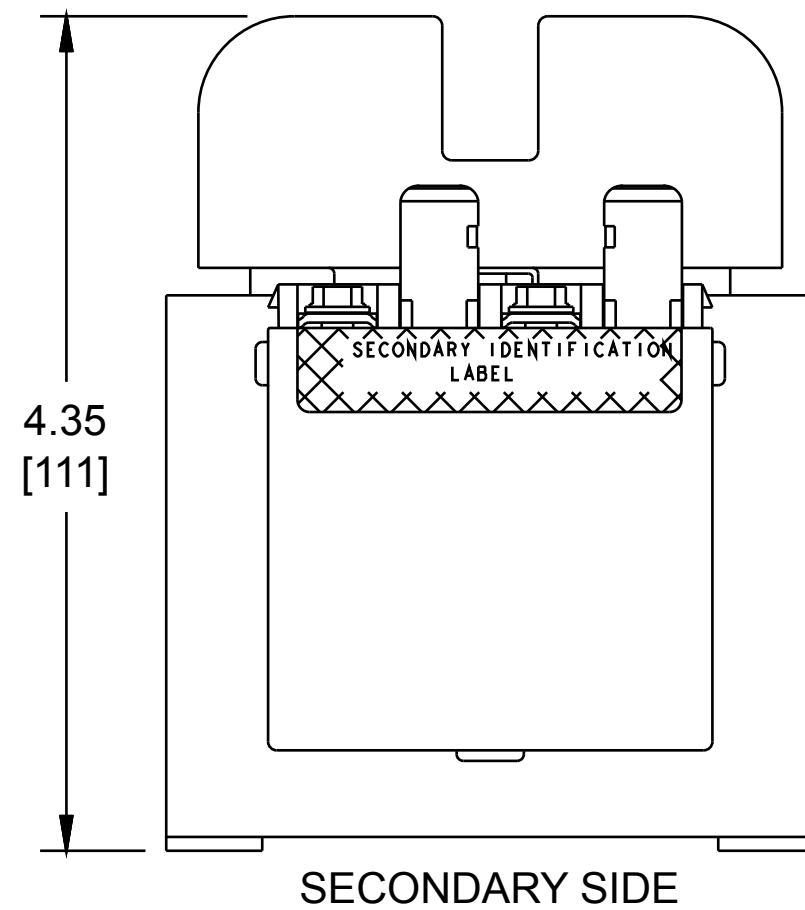


TERMINAL SCREWS ARE COMBINATION
8-32 PHIL-SLOT-1/4" HEX WITH SEMS WASHER



Transformer Specifications	
PRIMARY VOLTAGE (S)	120x240
SECONDARY VOLTAGE (S)	24
RATED V.A.	100
RATED FREQUENCY	50/60
INSULATION CLASS	105
AGENCY APPROVALS	UL, CUL
ESTIMATED WEIGHT	4.4 lbs

NOTE:
1. All measurements in inches (mm)