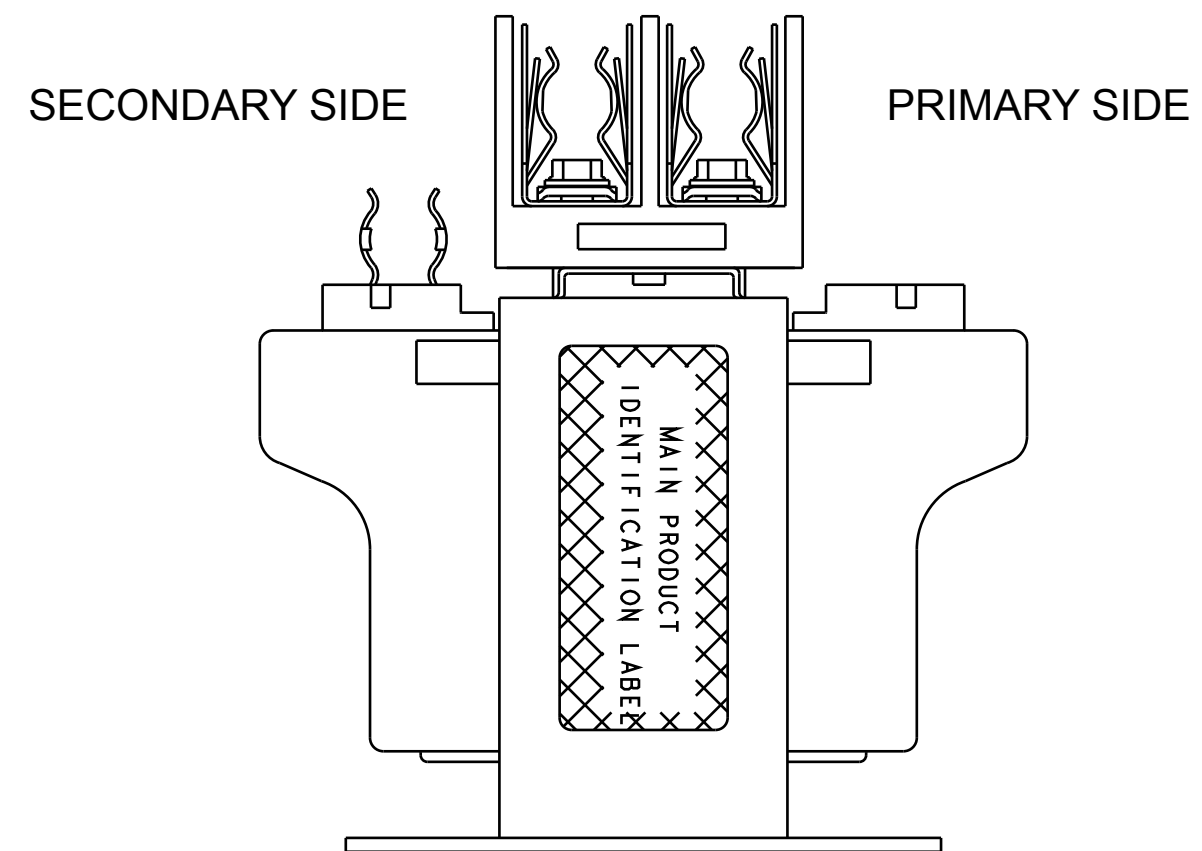
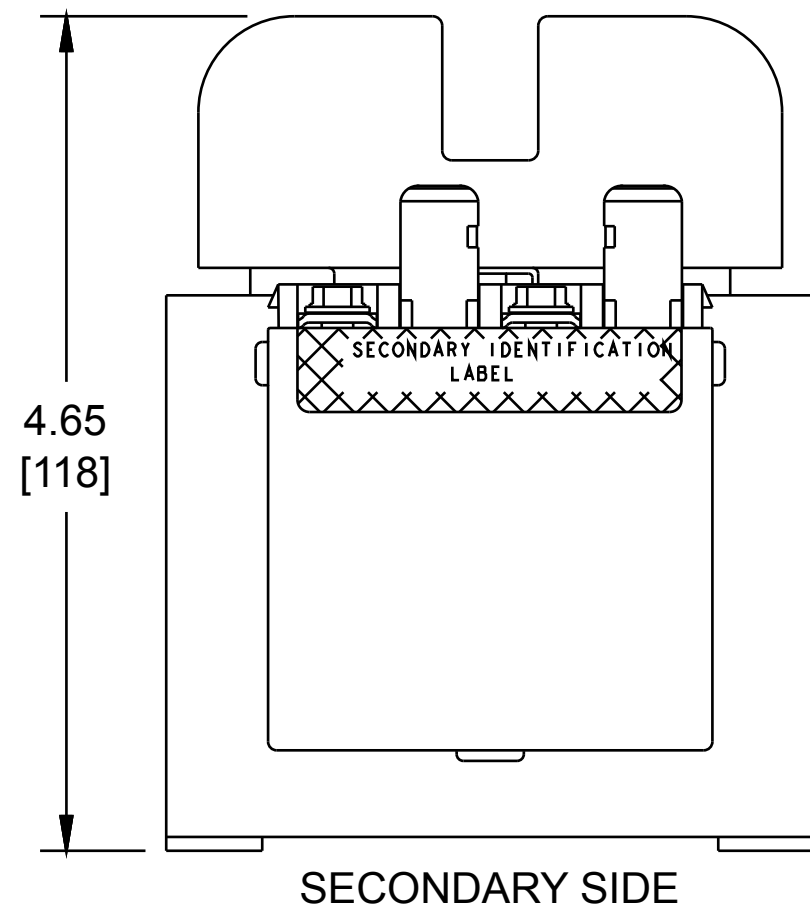


TERMINAL SCREWS ARE COMBINATION
8-32 PHIL-SLOT-1/4" HEX WITH SEMS WASHER



| Transformer Specifications | |
|----------------------------|---------|
| PRIMARY VOLTAGE (S) | 120x240 |
| SECONDARY VOLTAGE (S) | 24 |
| RATED V.A. | 150 |
| RATED FREQUENCY | 50/60 |
| INSULATION CLASS | 130 |
| AGENCY APPROVALS | UL, CUL |
| ESTIMATED WEIGHT | 5.3 lbs |

NOTE:
1. All measurements in inches (mm)