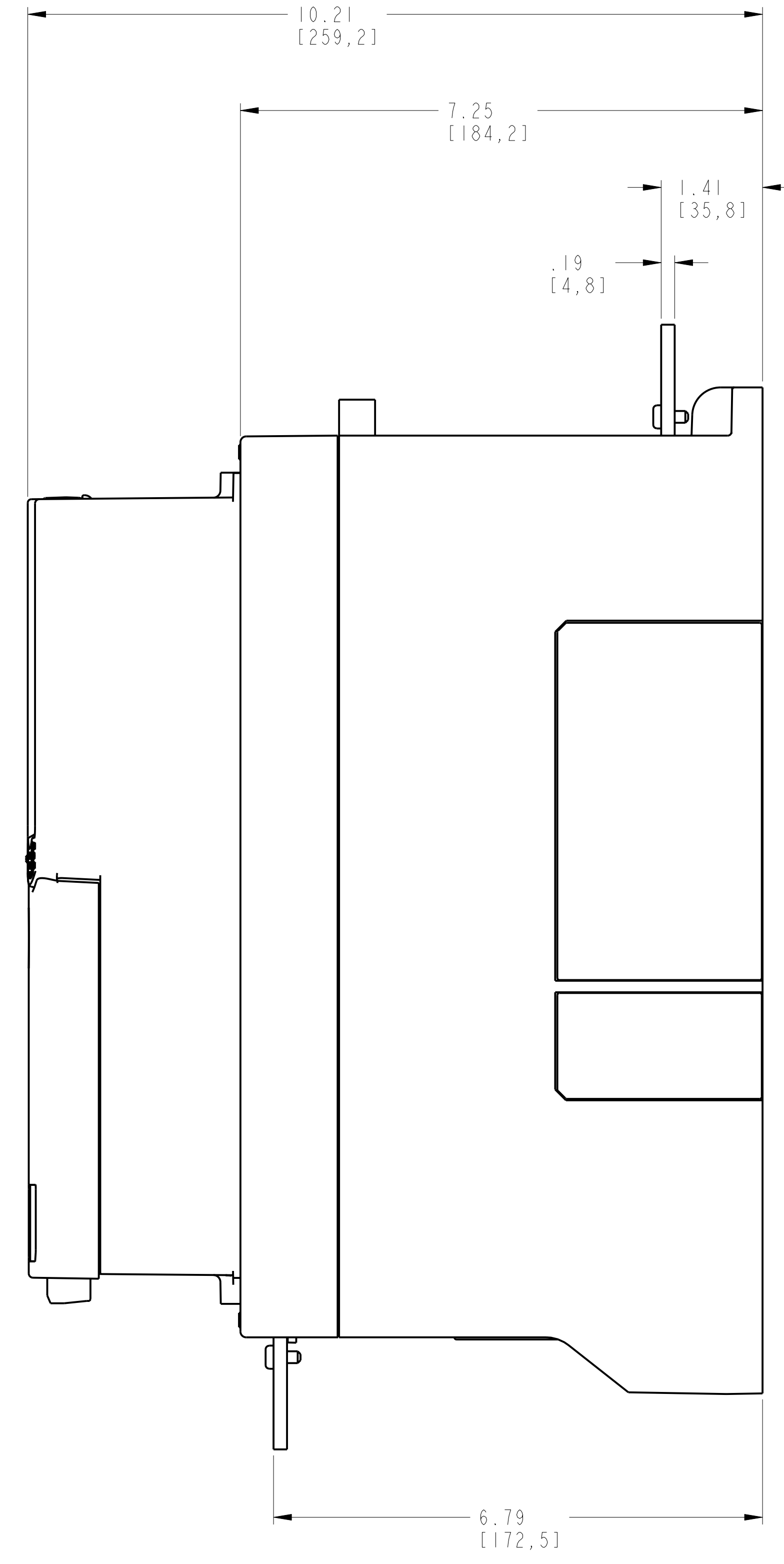
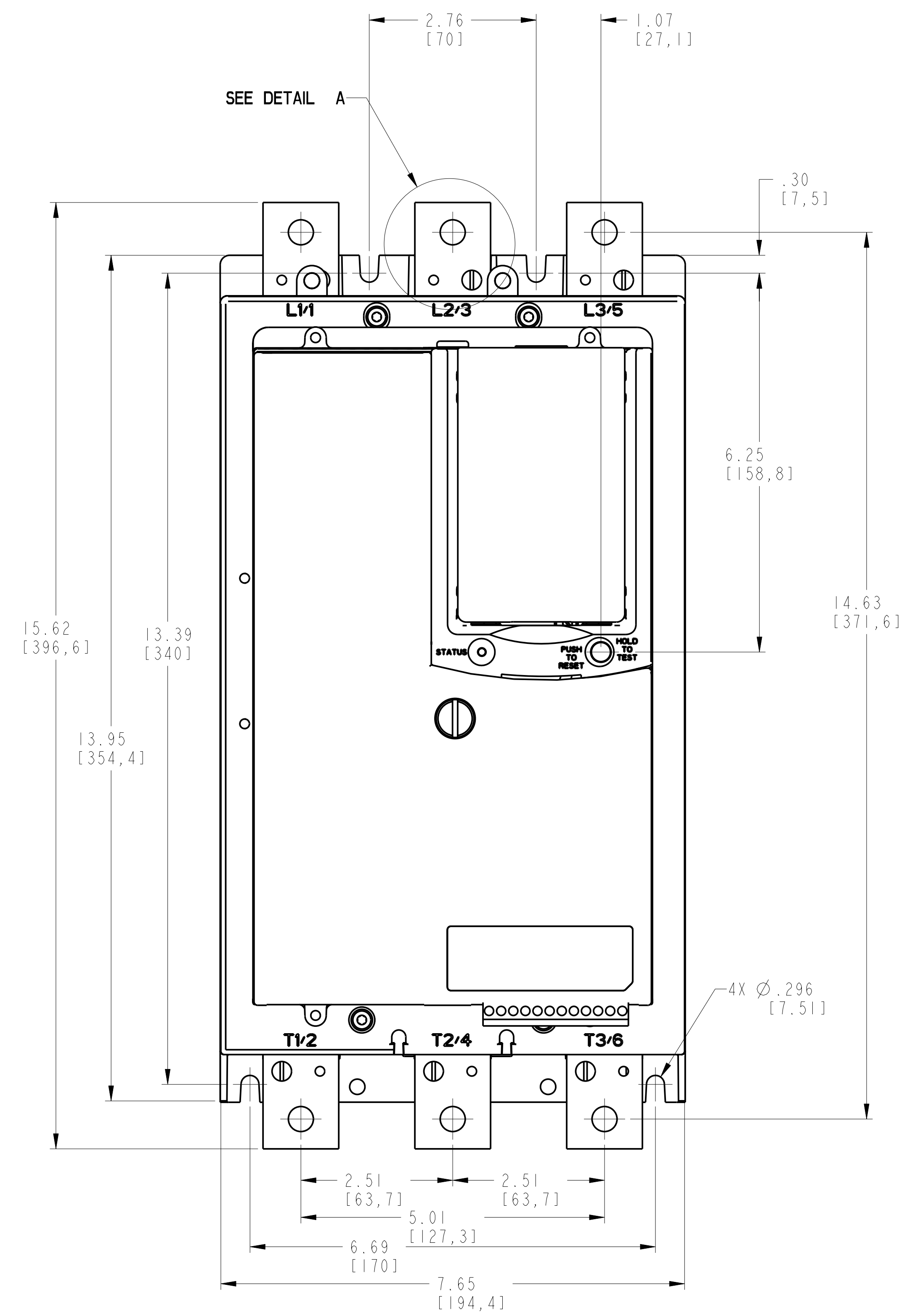


#8-32 UNC 2B
 DETAIL A
 SCALE 1500

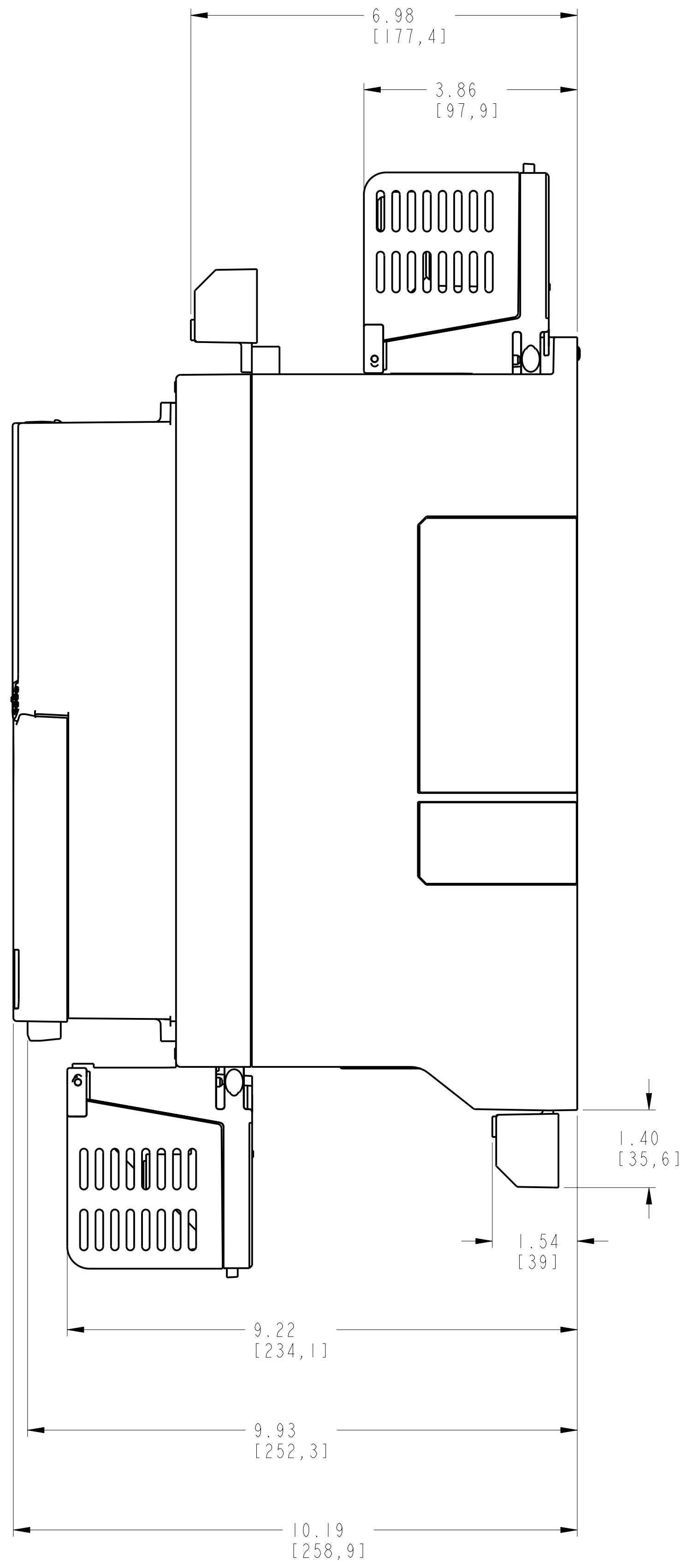
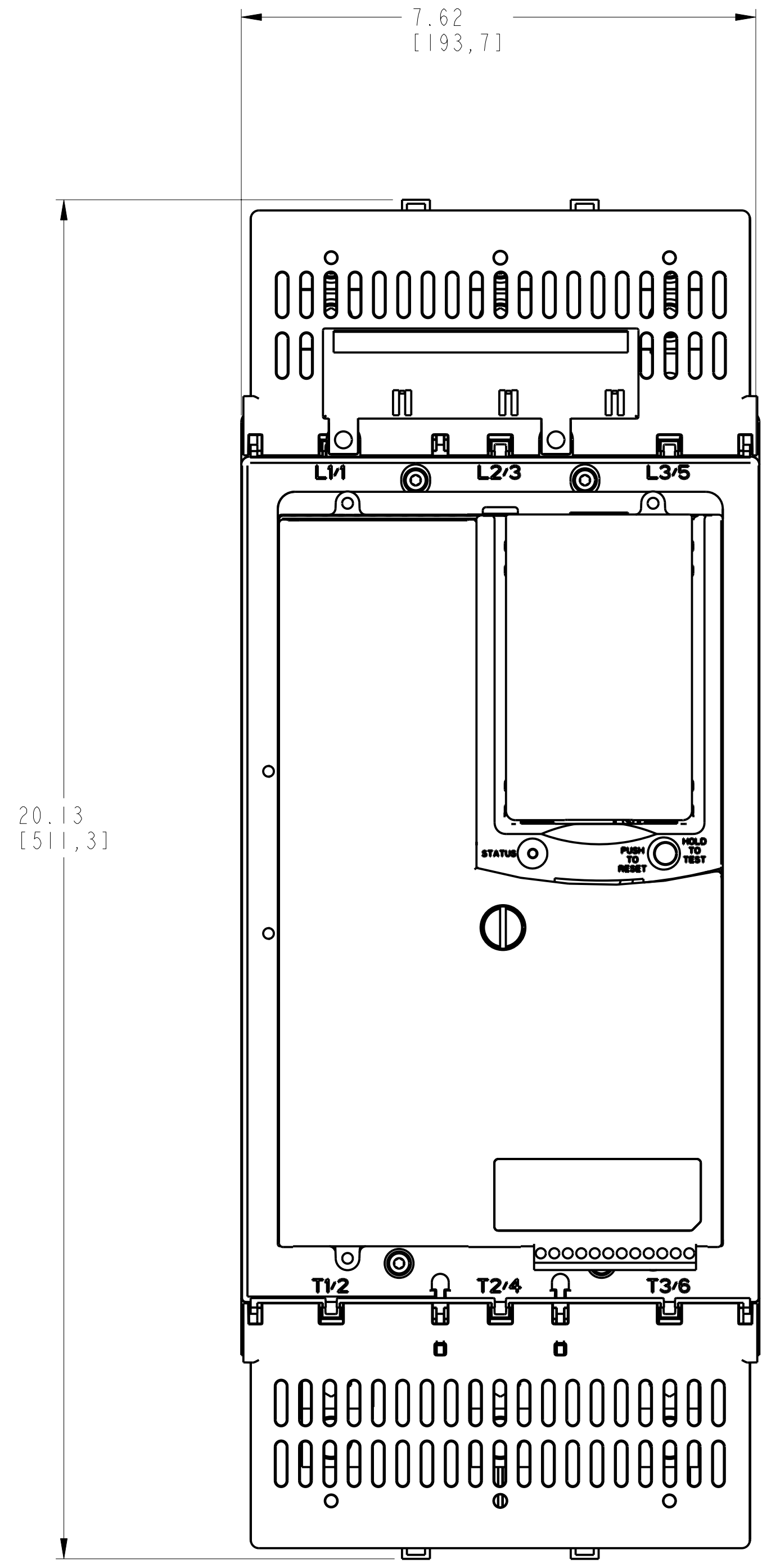


NOTES:
 1. DIMENSIONS IN INCHES [MILLIMETERS].
 2. DIMENSIONS ARE NOT TO BE USED FOR MANUFACTURING PURPOSES.

Rockwell Automation BUL 150-S 90 - 180 AMP OUTLINE DIMENSION DRAWING		CONFIDENTIAL AND PROPRIETARY INFORMATION. THIS DOCUMENT CONTAINS CONFIDENTIAL AND PROPRIETARY INFORMATION OF ROCKWELL AUTOMATION, INC. AND MAY NOT BE USED, COPIED OR DISCLOSED TO OTHERS, EXCEPT WITH THE AUTHORIZED WRITTEN PERMISSION OF ROCKWELL AUTOMATION, INC.	
		Sheet 1 Of 2	Ver 01
Drawn by: RGRUSHME	Date: 7-11-11	Size D	Part No. 10000118610

1 2 3 4 5 6 7 8

A
B
C
D
E
F
G
H



Rockwell Automation BUL 150-S 90 - 180 AMP OUTLINE DIMENSION DRAWING		<small>CONFIDENTIAL AND PROPRIETARY INFORMATION. THIS DOCUMENT CONTAINS CONFIDENTIAL AND PROPRIETARY INFORMATION OF ROCKWELL AUTOMATION, INC. AND MAY NOT BE USED, COPIED OR DISCLOSED TO OTHERS, EXCEPT WITH THE AUTHORIZED WRITTEN PERMISSION OF ROCKWELL AUTOMATION, INC.</small>	
		Sheet 2 Of 2	Ver 01
Drawn by: RGRUSHME	Date: 7-11-11	Size D	10000118610