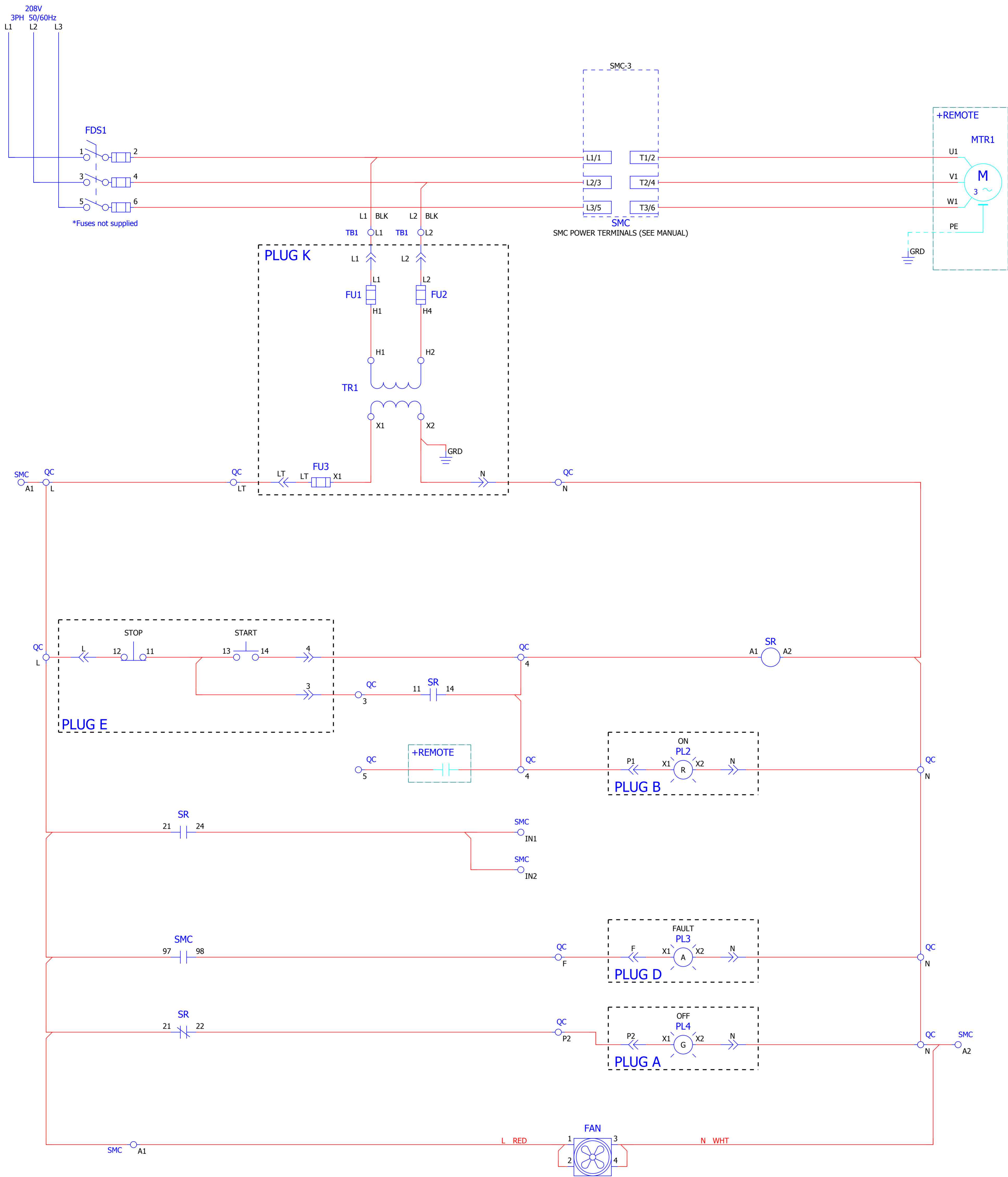


152C-D10JHD-J20-1-4RGA-6XP



NOTES:

- 1 USE 75°C CU WIRE ONLY
- 2 LINE FUSES SUPPLIED BY CUSTOMER WHEN DISCONNECT SWITCH IS SUPPLIED. REFER TO NEC WHEN SELECTING SHORT CIRCUIT PROTECTION
- 3 ADDITIONAL CONTROL CIRCUIT OVERCURRENT PROTECTION REQUIRED FOR NON-COMBINATION STARTERS. REFER TO NATIONAL ELECTRIC CODE.
- 4 DIP SWITCH DEFAULT FACTORY SETTINGS

1= 0	9= 0
2= I	10= 0
3= 0	11= I
4= 0	12= 0
5= I	13= 0
6= 0	14= 0
7= 0	15= I
8= 0	16= 0

Wire Connector Torque	
Line Terminal (Lb.In.)	Load Terminal (Lb.In.)
275	200

	Rockwell Automation		CONFIDENTIAL AND PROPRIETARY INFORMATION: THIS DOCUMENT CONTAINS CONFIDENTIAL AND PROPRIETARY INFORMATION OF ROCKWELL AUTOMATION, INC., AND MAY NOT BE USED, COPIED OR DISCLOSED TO OTHERS, EXCEPT WITH THE AUTHORIZED WRITTEN PERMISSION OF ROCKWELL AUTOMATION, INC.
	Title: SMC COMBO		
CATALOG NO. 152C-D10JHD-J20-1-4RGA-6XP			
Drawn by: AUTO_GEN	Date: 12/22/17	Sheet: 1 of 2	Ver: 00 Size: D