

Installation Instructions

1606-XLA-S85 SER B Side Mount Bracket



PU-200.016.96-xxB

Product Description

The 1606-XLA-S85 SER B is a mechanical accessory to mount the device sideways with or without utilizing a DIN-rail to save installation depth.

The two aluminum brackets and the black plastic slider of the unit have to be detached, so that the 1606-XLA-S85 SER B steel bracket can be mounted.

For sideways DIN-rail mounting, the removed aluminum brackets and the black plastic slider need to be mounted on the 1606-XLA-S85 SER B steel bracket.

The order number 1606-XLA-S85 SER B contains one bracket and four screws, which are needed for sideways DIN-rail mounting.

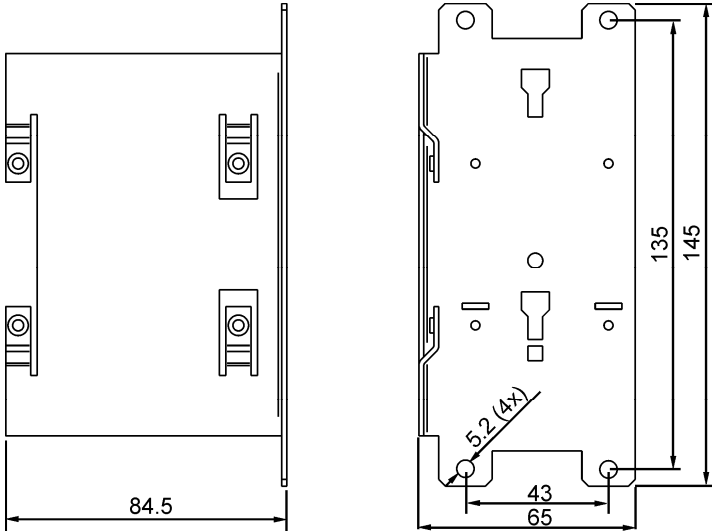
Intended Use

This mechanical accessory is designed for DIN-rail devices. Check the product datasheet of the DIN-rail device to confirm that it is suitable for the desired device.

Technical Data

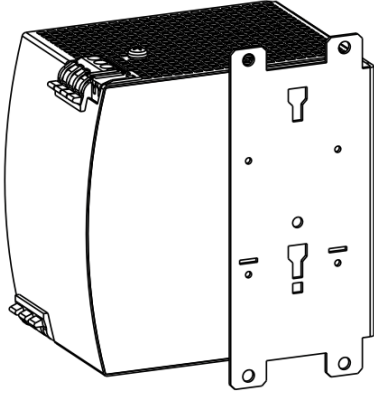
Size (width x height x depth)	65x145x84.5mm
Weight	215g / 0.47lb

Mechanical Dimensions

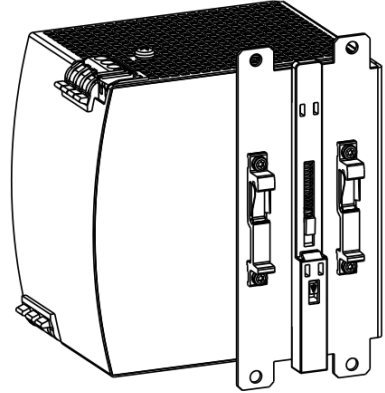


All dimensions in mm

Mounting Example – Wall Mounting



Mounting Example – DIN-Rail Mounting



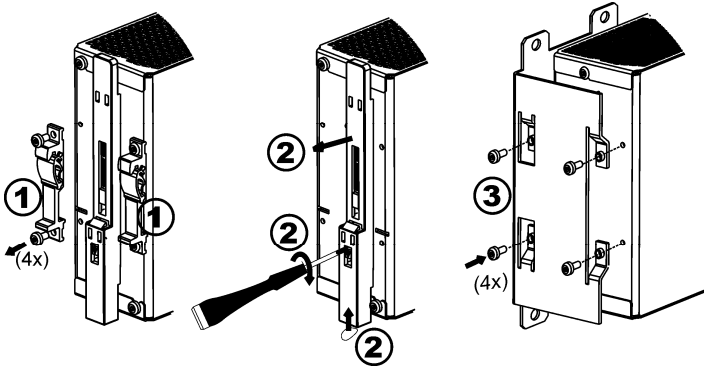
Installation Instructions

- 1) Detach the two aluminium brackets by removing the four screws with a Torx screwdriver (Torx 10). Save the screws for step 3.
- 2) Remove the plastic lock mechanism by using a flat-blade screwdriver to move the lock downwards while at the same time push the plastic slide upwards. Detach the plastic slide.
- 3) Mount the steel brackets with the same screws from the DIN-Rail brackets using caution not to over-tighten the screws! Recommended tightening torque is 0.6Nm. (5.3lb.in).

Preparation for DIN-Rail mounting

Install the two aluminium brackets and the plastic slide (detached from the unit before) onto the side mounting plant with the additional screws provided.

Installation Instructions



Drawing shows a similar unit

Rockwell Automation Support

For Technical Support, visit ROK.AUTO/SUPPORT.

The information in this document is believed to be accurate and reliable and may change without notice.

Rockwell Automation maintains current product environmental compliance information on its website at rok.auto/pec.

Allen-Bradley, Rockwell Software, and Rockwell Automation are trademarks of Rockwell Automation, Inc. Trademarks not belonging to Rockwell Automation are property of their companies.

www.rockwellautomation.com

Power, Control and Information Solution Headquarters

Americas: Rockwell Automation, 1201 South Second Street, Milwaukee, WI 53204-2496 USA, Tel: (1) 414.382.2000, Fax: (1) 414.382.4444

Europe/Middle East/Africa: Rockwell Automation NV, Pegasus Park, De Kleeflaan 12a, 1831 Diegem, Belgium, Tel: (32) 2663.0600, Fax (32) 2663.0640

Asia Pacific: Rockwell Automation, Level 14, Core F, Cyberport 3, 100 Cyberport Road, Hong Kong, Tel: (852) 2887.4778, Fax (852) 2508.1846

Turkey: Rockwell Otomasyon Ticraet A.Ş., Kar Plaza İş Merkezi E Blok Kat:6 34752 İçerenköy, İstanbul, Tel: (90) 216.5698400 (EEE Yönetmeliğine Uygundur)