

Installation Instructions



1606-XLA-UPSC SER B Wall/Panel Mount Bracket



PU-200.015.89-xxB

Product Description

The 1606-XLA-UPSC SER B is a mechanical accessory to mount a device on a flat surface or panel without utilizing a DIN-rail.

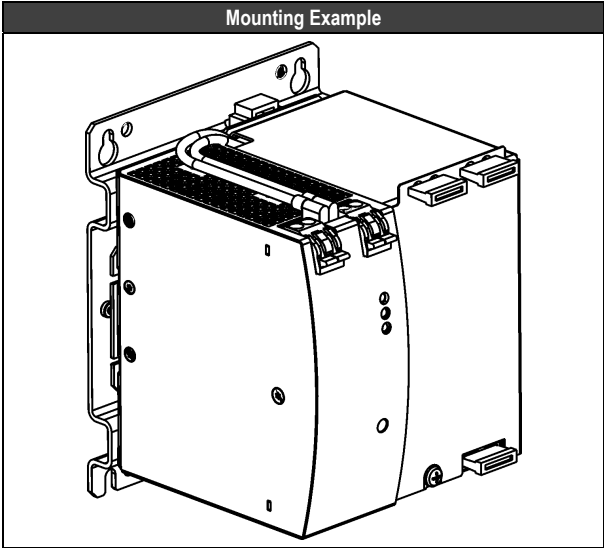
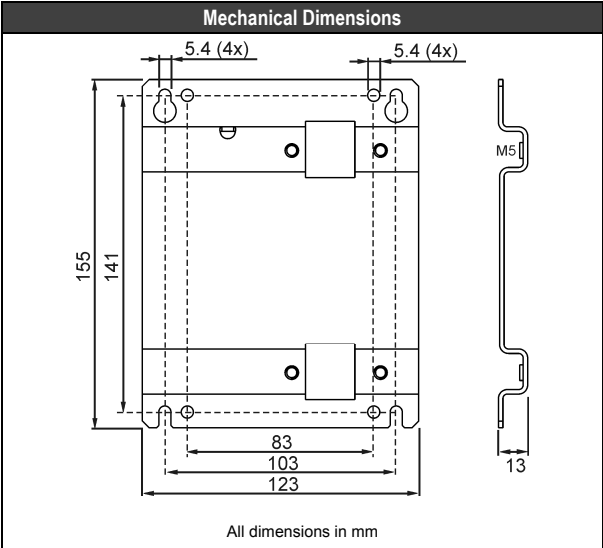
The order number 1606-XLA-UPSC SER B contains one mounting bracket, four mounting screws (M5x8) and four 5mm spring-lock washers.

Intended Use

This mechanical accessory is designed for DIN-rail devices. Check the product datasheet of the DIN-rail device to confirm that it is suitable for the desired device.

Technical Data

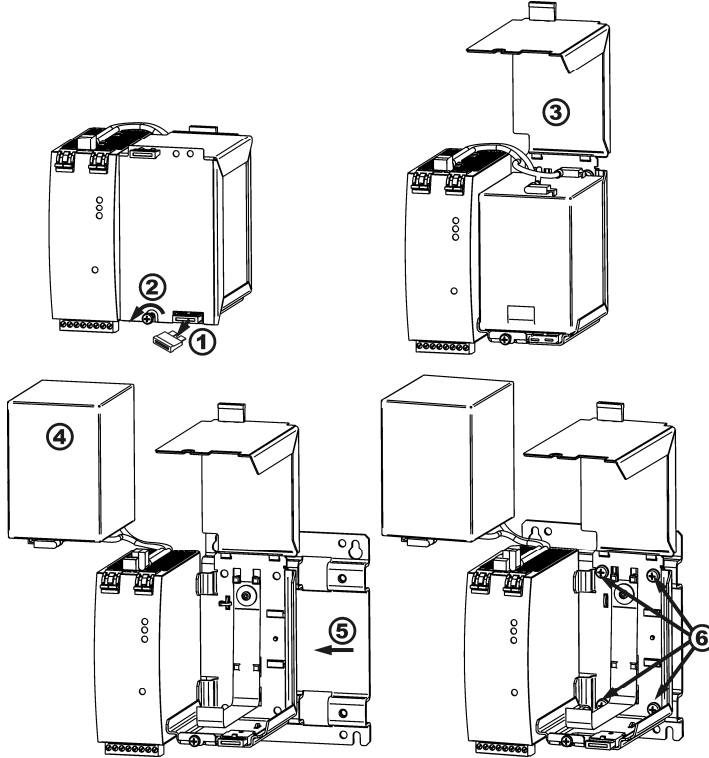
Size (width x height x depth)	123x155x13mm
Weight	340g / 0.75lb



Installation Instructions

- 1) Put the unit backwards on a flat surface and remove the fuse before working on the unit.
- 2) Loosen the captive cover screw.
- 3) Open the battery compartment.
- 4) Remove the battery without disconnecting the connection wires.
- 5) Put the wall mount bracket behind the unit.
- 6) Screw the four screws and the four spring-lock washers, which were delivered with the mounting bracket, into the shown areas. Tightening torque: 3 Nm (27 lb inch)
- 7) Return the battery into the housing, close the battery compartment and insert the fuse again.

Installation Instructions



Rockwell Automation Support

For Technical Support, visit ROK.AUTO/SUPPORT.

The information in this document is believed to be accurate and reliable and may change without notice.

Rockwell Automation maintains current product environmental compliance information on its website at rok.auto/pec.

Allen-Bradley, Rockwell Software, and Rockwell Automation are trademarks of Rockwell Automation, Inc. Trademarks not belonging to Rockwell Automation are property of their companies.

www.rockwellautomation.com

Power, Control and Information Solution Headquarters

Americas: Rockwell Automation, 1201 South Second Street, Milwaukee, WI 53204-2496 USA, Tel: (1) 414.382.2000, Fax: (1) 414.382.4444

Europe/Middle East/Africa: Rockwell Automation NV, Pegasus Park, De Kleetlaan 12a, 1831 Diegem, Belgium, Tel: (32) 2663.0600, Fax (32) 2663.0640

Asia Pacific: Rockwell Automation, Level 14, Core F, Cyberport 3, 100 Cyberport Road, Hong Kong, Tel: (852) 2887.4778, Fax (852) 2508.1846

Turkey: Rockwell Otomasyon Ticraet A.Ş., Kar Plaza İş Merkezi E Blok Kat:6 34752 İçerenköy, İstanbul, Tel: (90) 216.5698400 (EEE Yönetmeliğine Uygundur)