

Installation Instructions

1606-XLSBATSEN SER B Sensor Board for Battery Modules



Allen-Bradley



PU-393.015.40-xxB

Product Description

This sensor board contains a PT1000 temperature sensor and an auto-resettable fuse, which is suitable for charging currents up to 3.5A. The fuse protects the center-tap wire between the battery module and the DC-UPS control unit. This sensor board is compatible with most of the 1606 DC-UPS control units and enables all the benefits of the 1-Battery-Concept. This sensor board makes the use of matched replacement batteries unnecessary and allows a precise battery charging and testing which results in the longest possible battery life.

Intended Use

This sensor board is designed for 24V, 20A DC-UPS battery modules. The use of this sensor board is optional.

If this device is used in a manner outside of its specification, the protection provided by the device may be impaired.

Installation Instructions

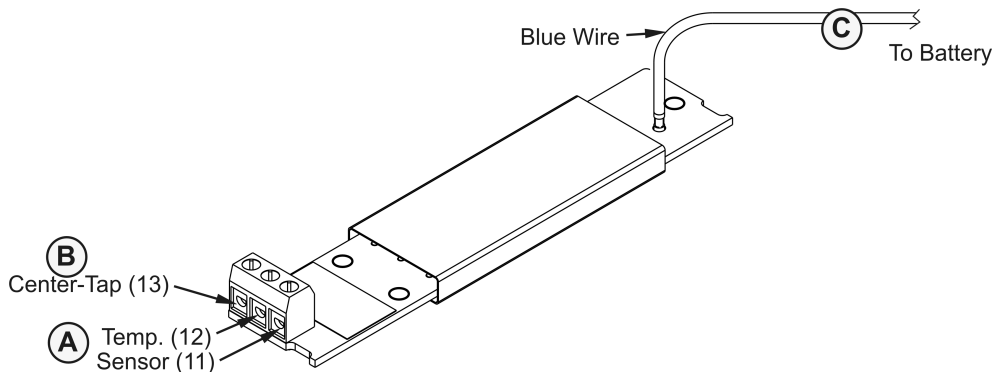
The sensor board shall be installed as close as possible to the batteries in order to measure the precise temperature of the batteries.

- Connect pin 11 and 12 (Temp. Sensor) to the corresponding pins on the DC-UPS control unit.
- Connect pin 13 (Tap) to the corresponding pin on the DC-UPS control unit. Using the center tap connection is optional. Without this connection, the DC-UPS will function like a traditional UPS system without the above mentioned benefits.
- Connect the blue wire (AWG18, length 0.5m) to the interconnection between the two batteries. Shorten the wire to the required length. Between pin 13 (Tap) and this wire, is a pre-installed auto-resettable fuse, which is provided to protect the wire between the sensor board and the DC-UPS control unit. The maximal allowed charging current is 3.5A.

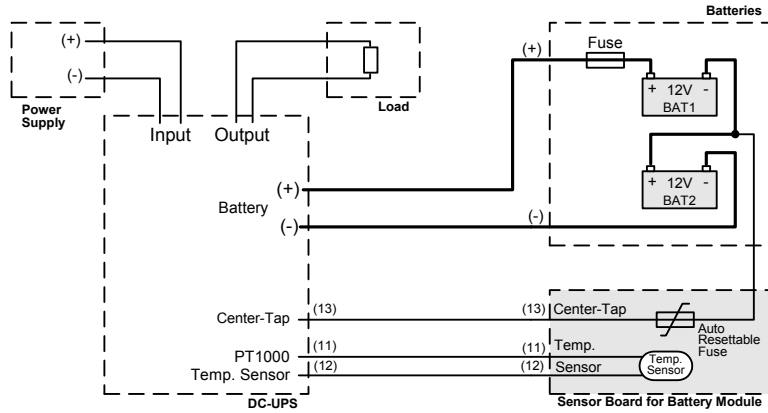
Technical Data

Max. wire size (litz wire)	1.5mm ²
Wire size AWG	AWG 20-14
Max. wire diameter	1.5mm
Wire stripping length	6mm / 0.25inch
Tightening torque	0.5Nm / 4lb.inch
Size (length x width x height)	110.5x23x15mm
Weight	85g / 0.19lb

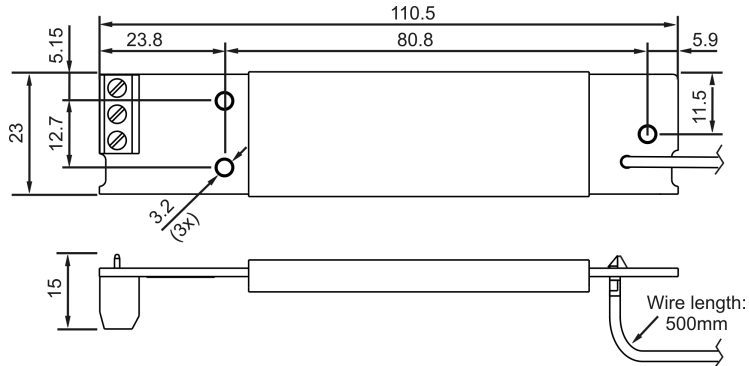
Wiring Assignment



Typical Wiring Scheme



Physical Dimensions



All dimensions in mm

Rockwell Automation Support

For Technical Support, visit ROK.AUTO/SUPPORT.

The information in this document is believed to be accurate and reliable and may change without notice.

Rockwell Automation maintains current product environmental compliance information on its website at rok.auto/pec.

Allen-Bradley, Rockwell Software, and Rockwell Automation are trademarks of Rockwell Automation, Inc. Trademarks not belonging to Rockwell Automation are property of their companies.

www.rockwellautomation.com

Power, Control and Information Solution Headquarters

Americas: Rockwell Automation, 1201 South Second Street, Milwaukee, WI 53204-2496 USA, Tel: (1) 414.382.2000, Fax: (1) 414.382.4444

Europe/Middle East/Africa: Rockwell Automation NV, Pegasus Park, De Kleetlaan 12a, 1831 Diegem, Belgium, Tel: (32) 2663.0600, Fax (32) 2663.0640

Asia Pacific: Rockwell Automation, Level 14, Core F, Cyberport 3, 100 Cyberport Road, Hong Kong, Tel: (852) 2887.4778, Fax (852) 2508.1846

Turkey: Rockwell Otomasyon Ticraet A.Ş., Kar Plaza İş Merkezi E Blok Kat:6 34752 İçerenköy, İstanbul, Tel: (90) 216.5698400 (EEE Yönetmeliğine Uygundur)