



Application Note

1606-XLPRED

Redundant/Decoupling Module

- World-wide approvals (CE cULus cULumc)
- Decoupling Diode to produce redundant applications or to decouple power sources from each other, as well as from the load
- DC 10...60V, 0...10 A

Concept

The decoupling module is a dual input diode with 2 inputs and one output in a compact housing, suitable for various applications such as

- to produce redundant applications
- to decouple power sources from each other as well as from the loads e.g. separation of sensitive loads from the power bus, design buffered branches, block reverse power etc.

Decoupling part

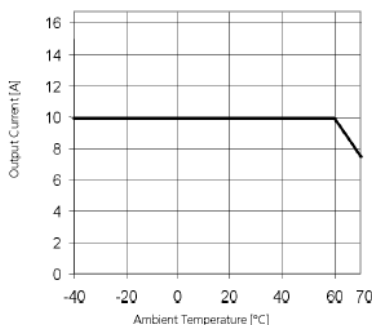
Input #1	DC 10...60V, 0...10 A
Input #2	DC 10...60V, 0...10 A
Output	$V_{in} - 0.9V$ (typ.), 0...10 A Ensure, that the max. output current does not exceed 16 A. Check short circuit current of power sources.
Peak current	125 A for max. 10 ms
Reverse current	<0.6 mA per diode

When both inputs are used (Dual Input Mode, Fig. 1) the output current results as the sum of the two inputs. If used with only one input (Single Input Mode, Fig. 2), both positive input terminals can be linked. Negative poles do not have to be used.

Connection	by Spring Clamp terminals; uniformly firm hold, vibration-resistant and maintenance-free: 2 terminals per output
Connector size range	0.3...2.5 mm ² (28...12 AWG)
• flexible cable	
• solid cable	0.3...4 mm ² (28...12 AWG) Ferrules admissible
• Wire strip length	6 mm (0.24 in.) recommended

Derating diagram

Derating characteristic V_{out}/T_{amb}



- Mounted and connected in record time, no tools required
- Usable everywhere
- Tiny: W x H x D = 45 x 75 x 91 mm

Construction/ Mechanics

Robust plastic housing (US Patent No. D442, 923S), fine ventilation grid on three housing sides to keep out small parts (e.g. screws), IP20

Dimensions and weight

- W x H x D 45 mm x 75 mm x 91 mm (+ DIN rail)
Depth incl. terminals: 98 mm (+ DIN rail)
- Weight 136 g

Mounting orientation



Ventilation/Cooling

- Normal convection, no fan required
- Free space f. cooling recommended: 25 mm above and beyond

Design details – for your advantage:

- All terminals are easy to reach as mounted on the front panel.
- Input and output are strictly apart from each other (input below, output above) and so cannot be mixed up.
- **Mounting and connection do not require any screwdriver**
→ Easy, quick, durable and reliable installation.

Environmental Data, Safety

Ambient temperature range (measured 25 mm below unit)

- storage/transport -40°C ... +85°C
- operation -40°C ... +60°C (70°C, for derating see diagram)

Humidity max. 95% (without condensation)

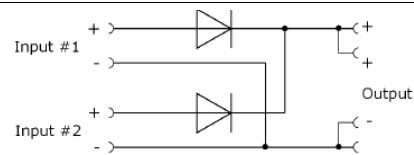
Protection class IP20 (EN 60529)

Fusing If sources with higher current capability are used, protect the inputs with a fuse or circuit breaker.

Inputs or output 10 A slow blowing circuit breaker, Char. B recommended

Approvals UL 60950 recognized and UL 508 Listed

Block diagram



Rockwell Automation

Wiring Diagrams

Fig. 1: Dual Input Mode

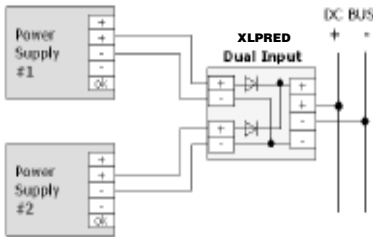


Fig. 2: Single Input Mode

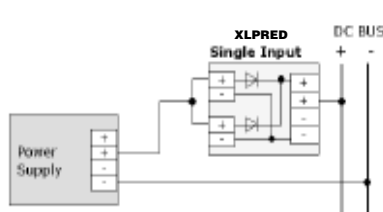


Fig. 3: 1+1 Redundant System

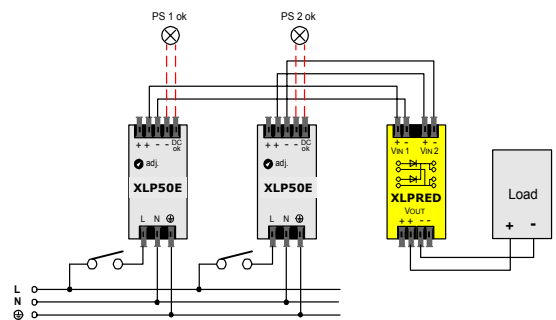


Fig. 4: N+1 Redundant System

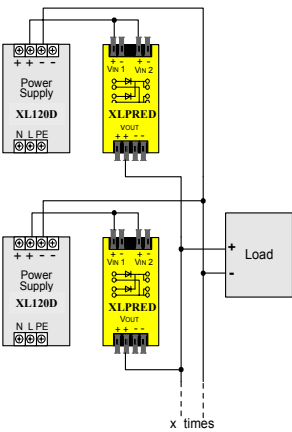


Fig. 5: Redundant System other voltages than 24V

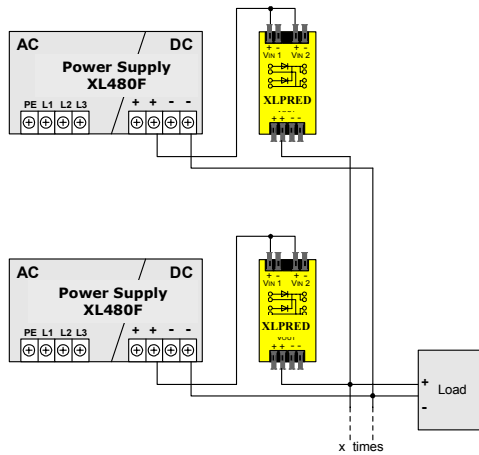


Fig. 6: Redundant System with external DC-ok relay

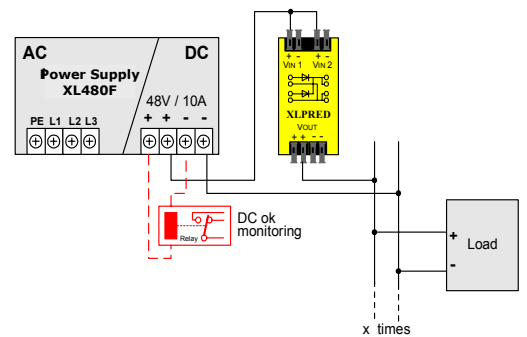


Fig. 7: Blocking of energy which is fed backwards from a decelerating motor

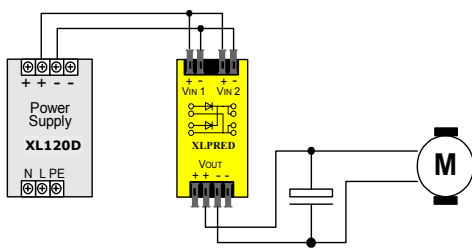


Fig. 8: Protection during battery charging

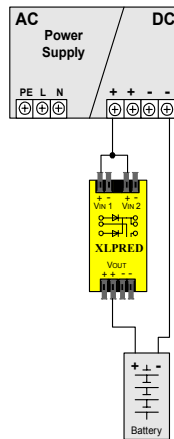
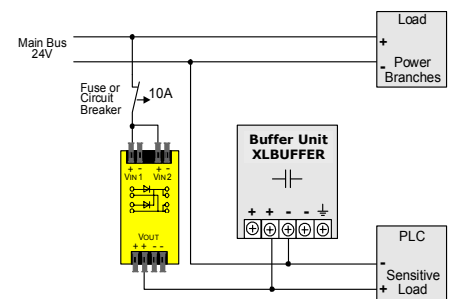


Fig. 9: Saving energy in buffered branches



This technical information is valid for 230V AC, +25°C ambient temperature and 5 min. run-in time, unless otherwise stated. It is subject to change without prior notice.

www.rockwellautomation.com

Corporate Headquarters

Rockwell Automation, 777 East Wisconsin Avenue, Suite 1400, Milwaukee, WI, 53202-5302 USA, Tel: (1) 414.212.5200, Fax: (1) 414.212.5201

Headquarters for Allen-Bradley Products, Rockwell Software Products and Global Manufacturing Solutions

Americas: Rockwell Automation, 1201 South Second Street, Milwaukee, WI 53204-2496 USA, Tel: (1) 414.382.2000, Fax: (1) 414.382.4444

Europe: Rockwell Automation SA/NV, Vorstlaan/Boulevard du Souverain 36-BP 3A/B, 1170 Brussels, Belgium, Tel: (32) 2 663 0600, Fax: (32) 2 663 0640

Asia Pacific: Rockwell Automation, 27/F Citicorp Centre, 18 Whitfield Road, Causeway Bay, Hong Kong, Tel: (852) 2887 4788, Fax: (852) 2508 1846

Headquarters for Dodge and Reliance Electric Products

Americas: Rockwell Automation, 6040 Ponders Court, Greenville, SC 29615-4617 USA, Tel: (1) 864.297.4800, Fax: (1) 864.281.2433

Europe: Rockwell Automation, Brühlstraße 22, D-74834 Elztal-Dallau, Germany, Tel: (49) 6261 9410, Fax: (49) 6261 1774

Asia Pacific: Rockwell Automation, 55 Newton Road, #11-01/02 Revenue House, Singapore 307987, Tel: (65) 351 6723, Fax: (65) 355 1733